

MODEL GK Standard type



Note

Use conditions: The temperature should be between -10 and +45°C. The RH should be less than 90% at room temperature. Any condition outside of this range could result in burnout, deformed, malrotating or damaged parts.

Specifications

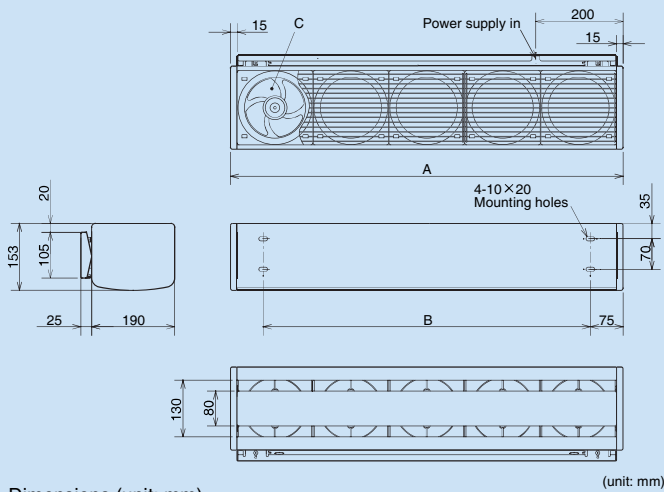
Model	Width of unit (cm)	Power	Fan speed	Air volume (m ³ /h) (50/60Hz)	Current (A) (50/60Hz)	Input (W) (50/60Hz)	Air velocity Max. (m/sec) (50/60Hz)	Noise (dB) (50/60Hz)	Starting Current (A)	Weight (kg)
GK-2509YS1	90	Single-phase, 50/60Hz 220-240/220V	High	1,210-1,230/1,170	0.25-0.26/0.29	54-61/63	9.5/9.5	43-44.5/43	0.43	10.5
			Low	980-1,000/930	0.24-0.25/0.25	52-59/54	7/7	38-41/35		
GK-2512AS1	119.4		High	1,420-1,440/1,410	0.35-0.37/0.39	76-83/84	9.5/9.5	46-47/46.5	0.62	13.3
			Low	1,150-1,170/1,090	0.31-0.33/0.33	67-78/71	7/7	40.5-44/38		
GK-3009AS1	90		High	1,450-1,470/1,640	0.43-0.46/0.47	90-105/102	12/12	46-47/49.5	0.86	11.0
			Low	1,100-1,200/1,150	0.35-0.37/0.39	76-87/84	8/8	43-45.5/42.5		
GK-3012AS1	119.4		High	1,740-1,760/1,950	0.52-0.56/0.58	107-125/125	12/12	49-50/52	1.05	14.0
			Low	1,350-1,400/1,330	0.44-0.46/0.48	95-109/104	8/8	46-47/45		
GK-3506CS	60.8		High	1,320/—	0.53-0.57/—	116-135/—	13.5/—	55-56/—	1.53	15.5
			Low	1,150/—	0.44-0.45/—	93-102/—	11/—	53-54/—	0.93	
GK-3509CS	91	High	2,100/—	0.87-0.94/—	191-223/—	13.5/—	58-58/—	2.53	22.0	
		Low	1,860/—	0.74-0.75/—	155-170/—	11/—	55.5-56/—	1.55		
GK-3512DS	118.7	High	2,640/—	1.05-1.13/—	227-267/—	13.5/—	58-58.5/—	3.02	28.5	
		Low	2,310/—	0.89-0.9/—	187-206/—	11/—	55.5-56.5/—	1.84		

*Specifications may be subject to change without notice.

*The GK-35 type might not be sold by the region. Please acknowledge it.

Dimensions

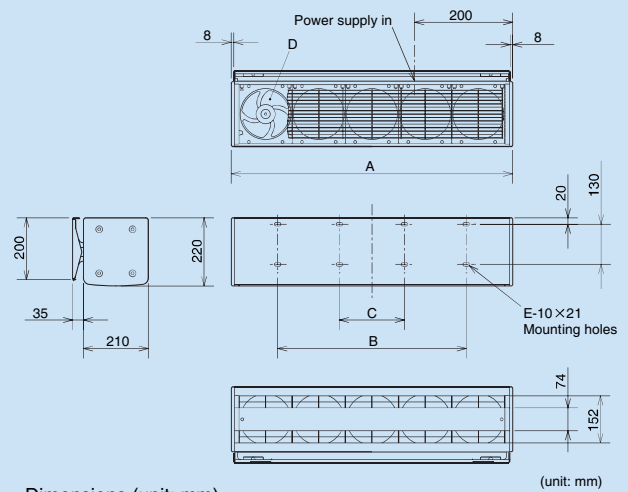
GK-25, GK-30 type



Dimensions (unit: mm)

Model	A	B	C
GK-2509YS1	900	750	5
GK-2512AS1	1,194	1,044	6
GK-3009AS1	900	750	5
GK-3012AS1	1,194	1,044	6

GK-35 type



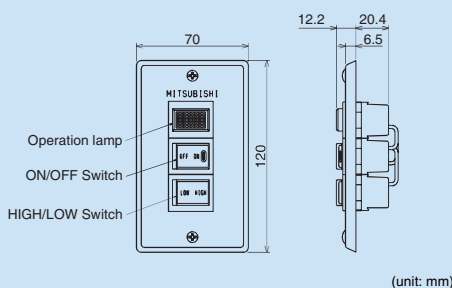
Dimensions (unit: mm)

Model	A	B	C	D	E
GK-3506CS	608	308	—	3	4
GK-3509CS	910	610	210	5	8
GK-3512DS	1,187	887	487	6	8

Remote-Control Switch

Model FS-04SW1-E

Single-phase, exposed type(240VAC, 10A), High/Low switching



CONNECTION

(The broken line area shall be wired by the customer)

