

Multi model
application
Air Conditioning
Technical Data
2MXM-A



2MXM40A2V1B
2MXM50A2V1B
2MXM68A2V1B

TABLE OF CONTENTS

2MXM-A

1	Features	4
	2MXM-A	4
2	Specifications	5
3	Electrical data	7
4	Combination table	9
5	Capacity tables	12
	Capacity Table Legend	12
6	Dimensional drawings	13
7	Centre of gravity	15
8	Piping diagrams	17
9	Wiring diagrams	19
	Wiring Diagrams - Single Phase	19
10	Sound data	21
	Sound Pressure Spectrum	21
11	Installation	23
	Installation Method	23
12	Operation range	25

1 Features

1 - 1 2MXM-A

- › New design outlook for outdoor unit
- › Seasonal efficiency values up to A+++ in cooling and A++ in heating thanks to its up-to-date technology and built-in intelligence
- › Up to 2 indoor units can be connected to 1 multi outdoor unit; all indoor units are individually controllable and do not need to be installed in the same room or at the same time. They operate simultaneously within the same heating or cooling mode.
- › Choosing for an R-32 product, reduces the environmental impact with 68% compared to R-410A and leads directly to lower energy consumption thanks to its high energy efficiency
- › Different types of indoor units can be connected: e.g. wall mounted, ceiling mounted cassette corner, concealed ceiling unit
- › Outdoor units are fitted with a swing compressor, renowned for its low noise and high energy efficiency

1

Inverter

2 Specifications

2 - 1 2MXM-A

Technical specifications					2MXM40A	2MXM50A	2MXM68A
Casing	Colour				Ivory white		
Dimensions	Unit	Height	mm	552		734	
		Width	mm	852		974	
		Depth	mm	350		408	
	Packed unit	Height	mm	614		820	
		Width	mm	900		1,050	
		Depth	mm	357		480	
Weight	Unit	kg	36	41	60		
	Packed unit	kg	39	44	66		
Heat exchanger	Length	mm	805	810	920		
	Rows	Quantity		2			
	Fin pitch	mm		1.50	1.40		
	Stages	Quantity		24	32		
	Passes	Quantity		3.00	6.00		
	Tube type		7.0 Hi-XD	8.1 Hi-XA	Hi-XA		
	Tube diameter	mm	7.0	8.1	8.0		
	Fin	Type		WH fin	WHS8 FIN-HYDROPHILIC		
		Treatment		Anti-corrosion treatment			
	Fan	Type	Propeller fan				
Discharge direction		Horizontal					
Quantity		1					
Air flow rate		Cooling	High	m ³ /min	36.0	37.0	46.5
				cfm	1,271	1,306	1,642
			Medium	m ³ /min	33.0	34.0	42.5
			cfm	1,165	1,200	1,501	
		Low	m ³ /min		20.0		24.1
			cfm		706		851
Heating			High	m ³ /min	32.0	34.0	43.8
		cfm		1,130	1,200	1,547	
		Medium	m ³ /min	32.0	34.0	43.8	
			cfm	1,130	1,200	1,547	
		Low	m ³ /min	18.0	22.0	16.1	
			cfm	636	777	569	
Fan motor	Quantity	1					
	Model	LFD-280-23-8F					
	Output	W	50		55		
Fan motor	Speed	Cooling	High	rpm	900	950	760
			Medium	rpm	840	890	700
			Low	rpm		500	420
	Heating	High	rpm	820	890	720	
		Low	rpm	320	500	300	
		Medium	rpm	820	890	720	
Compressor	Quantity	1					
	Model		1YC25GXD#C	2YC40JXD#C	2YC71DXD#C		
	Oil Amount	cm ³	375	650	900		
	Type	Hermetically sealed swing compressor					
	Output	W	800	1,300	2,400		
	Oil Type	FW68DA					
Operation range	Cooling	Ambient	Min.	°CDB	-10		
			Max.	°CDB	46		
	Heating	Ambient	Min.	°CDB	-15		
			Max.	°CDB	24		
Sound power level	Cooling	Max	dB(A)	62		63	
		Night quiet mode	dB(A)	57	58	59	
		Tonal adjustment	dB(A)	0			
	Heating	Max	dB(A)	62		63	
		Nom.	dB(A)	62		61	
		Night quiet mode	dB(A)	57	58	59	
	Tonal adjustment	dB(A)	0				
Sound power level - Low sound mode (Stb. 2020, 189)	Cooling	Max.	dB(A)	60		61	
		Night quiet mode	dB(A)	55		58	
		Tonal adjustment	dB(A)	0			
	Heating	Max.	dB(A)	60		61	
		Night quiet mode	dB(A)	55		58	
	Tonal adjustment	dB(A)	0				
Sound pressure level	Cooling	Nom.	dB(A)	46	48		
	Heating	Nom.	dB(A)	48	50	48	
Refrigerant	Type	R-32					
	Charge	kg	0.88	1.15	2.00		
	Charge	TCO ₂ Eq	0.60	0.78	1.35		
	Control	Expansion valve					
	GWP	675					

2 Specifications

2 - 1 2MXM-A

2

Technical specifications				2MXM40A	2MXM50A	2MXM68A
Piping connections Liquid	Quantity			2		
	OD	mm		6.35		
Piping connections Gas	Quantity		2	1		
	OD	mm		9.5		
Drain	Quantity			1		
	OD	mm		16 (inner diameter of connecting hose)		
Gas 2	Quantity		-	1		
	OD	mm	-	12.7		
Piping length	OU - IU	Min.	m	3 (1)		
		Max.	m	20 (1)		25 (1)
	System	Chargeless	m	20		30
Additional refrigerant charge			kg/m	0.02 (for piping length exceeding 20m)		0.02 (for piping length exceeding 30m)
Level difference	IU - OU	Max.	m	15		
	IU - IU		m	7.5		
Heat insulation				Both liquid and gas pipes		
Total piping length	System	Actual	m	30		50
	Method			Variable (inverter)		

Standard accessories: Installation manual; Quantity: 1;

Standard accessories: Screw bag; Quantity: 1;

Standard accessories: Drain plug; Quantity: 1;

Standard accessories: Reducer assembly; Quantity: 1;

Standard accessories: Drain cap (1); Quantity: 6;

Standard accessories: Drain cap (2); Quantity: 3;

Electrical specifications				2MXM40A	2MXM50A	2MXM68A
Power supply	Phase			1~		
	Frequency		Hz	50		
	Voltage		V	220-240		
Wiring connections	For power supply	Quantity		3		
		Remark		Earth wire included		
	For connection with indoor	Quantity		4		
		Remark		Earth wire included		

(1)For one room |

For combination with CVXM-A, FVXM-A - maximum piping length is 30m. |

See separate drawing for operation range |

See separate drawing for electrical data |

Contains fluorinated greenhouse gases

3 Electrical data

3 - 1 Electrical Data

2MXM40-50A

Outdoor unit	Power supply			·RA· indoor units (·10·% safety factor) See note ·5·.		Other indoor units (·10·% safety factor)		Compressor		Outdoor fan motor	
	Model name	Hz	Voltage	Voltage range	MCA	MFA	MCA	MFA	RHz	RLA	kW
2MXM40M3V1B 2MXM40M4V1B 2MXM40N2V1B 2MXM40A2V1B	50	220	Maximum ·50·Hz ·264·V	9,80	16	9,80	16	-	5,1	0,040	0,17
	50	230							5,3		
	50	240	Minimum ·50·Hz ·198·V						5,6		
	50	220	Maximum ·50·Hz ·264·V						12,94		
50	230	6,2									
50	240	Minimum ·50·Hz ·198·V	6,5								
50	220	Maximum ·50·Hz ·264·V	9,80	16	9,80	16	-	5,1		0,040	0,17
50	230							5,3			
50	240	Minimum ·50·Hz ·198·V						5,6			
50	220	Maximum ·50·Hz ·264·V						12,94	16		
50	230		6,2								
50	240	Minimum ·50·Hz ·198·V	6,5								
2AMXF40A2V1B	50	220	Maximum ·50·Hz ·264·V	9,80	16	9,80	16			-	5,1
	50	230						5,3			
	50	240	Minimum ·50·Hz ·198·V					5,6			
2AMXF50A2V1B	50	220	Maximum ·50·Hz ·264·V	12,83	16	12,83	16	-	5,9	0,042	0,18
	50	230							6,2		
	50	240	Minimum ·50·Hz ·198·V						6,5		
2MXF40A2V1B	50	220	Maximum ·50·Hz ·264·V	9,80	16	9,80	16	-	5,1	0,040	0,17
	50	230							5,3		
	50	240	Minimum ·50·Hz ·198·V						5,6		
2MXF50A2V1B	50	220	Maximum ·50·Hz ·264·V	12,83	16	12,83	16	-	5,9	0,042	0,18
	50	230							6,2		
	50	240	Minimum ·50·Hz ·198·V						6,5		

Symbols

MCA: Minimum Circuit Ampere [A]

MFA: Maximum Fuse Ampere [A]

RLA: Rated load amps [A]

OFM: Outdoor fan motor

MSC: Maximum starting current

FLA: Full Load Ampere [A]

kW: Fan motor rated output [kW]

Notes

- The ·RLA· is based on the following conditions.
Outdoor temperature ·35·°C DB
Indoor temperature ·27·°C DB / ·19·°C WB
- Select the wire size according to the MCA.
- The maximum allowable voltage that is unbalanced between phases is ·2·%.
- Use a circuit breaker instead of a fuse.
- Only for wall-mounted ·FVXM· units

3D110207F

3 Electrical data

3 - 1 Electrical Data

3
2MXM68-A
3MXM-A
4MXM-A
5MXM-A

Outdoor unit	Power supply			·RA· indoor units (·10·% safety factor)		Other indoor units (·10·% safety factor)		Compressor		Outdoor fan motor	
	Hz	Voltage	Voltage range	MCA	MFA	MCA	MFA	RHz	RLA	kW	FLA
2MXM68N2V1B 2MXM68A2V1B	50	220	Maximum ·50·Hz ·264·V	16,94	20	19,80	20	-	7,8	0,056	0,37
	50	230							7,5		
	50	240	Minimum ·50·Hz ·198·V						8,7		
3MXM40N2V1B9	50	220	Maximum ·50·Hz ·264·V	14,31	16	15,97	16	-	2,9	0,056	0,37
	50	230							3,0		
	50	240	Minimum ·50·Hz ·198·V						3,1		
3MXM52N2V1B9	50	220	Maximum ·50·Hz ·264·V	14,59	20	16,27	20	-	4,5	0,056	0,37
	50	230							4,7		
	50	240	Minimum ·50·Hz ·198·V						4,9		
3MXM68N2V1B9 3MXM68A2V1B	50	220	Maximum ·50·Hz ·264·V	17,19	20	19,81	20	-	8,0	0,056	0,37
	50	230							8,4		
	50	240	Minimum ·50·Hz ·198·V						8,7		
4MXM68N2V1B9 4MXM68A2V1B	50	220	Maximum ·50·Hz ·264·V	17,36	20	19,81	20	-	7,0	0,056	0,37
	50	230							7,3		
	50	240	Minimum ·50·Hz ·198·V						7,6		
4MXM80N2V1B9 4MXM80A2V1B	50	220	Maximum ·50·Hz ·264·V	17,04	25	20,36	25	-	8,5	0,075	0,50
	50	230							8,9		
	50	240	Minimum ·50·Hz ·198·V						9,3		
5MXM90N2V1B9 5MXM90A2V1B	50	220	Maximum ·50·Hz ·264·V	21,70	32	25,88	32	-	9,2	0,075	0,50
	50	230							9,6		
	50	240	Minimum ·50·Hz ·198·V						10,0		
3AMXM52N2V1B9	50	220	Maximum ·50·Hz ·264·V	18,19	20	16,27	20	-	4,5	0,056	0,37
	50	230							4,7		
	50	240	Minimum ·50·Hz ·198·V						4,9		
3MXF52A2V1B9	50	220	Maximum ·50·Hz ·264·V	14,59	20	16,27	20	-	4,5	0,056	0,37
	50	230							4,7		
	50	240	Minimum ·50·Hz ·198·V						4,9		
3AMXF52A2V1B9	50	220	Maximum ·50·Hz ·264·V	14,59	20	16,27	20	-	4,5	0,056	0,37
	50	230							4,7		
	50	240	Minimum ·50·Hz ·198·V						4,9		
3MXF68A2V1B9	50	220	Maximum ·50·Hz ·264·V	17,19	20	19,81	20	-	8,0	0,056	0,37
	50	230							8,4		
	50	240	Minimum ·50·Hz ·198·V						8,7		
3MXM40N2V1B8 3MXM40A2V1B	50	220	Maximum ·50·Hz ·264·V	14,31	16	15,97	16	-	2,9	0,056	0,37
	50	230							3,0		
	50	240	Minimum ·50·Hz ·198·V						3,1		
3MXM52N2V1B8 3MXM52A2V1B	50	220	Maximum ·50·Hz ·264·V	14,59	20	16,27	20	-	4,5	0,056	0,37
	50	230							4,7		
	50	240	Minimum ·50·Hz ·198·V						4,9		

Symbols

- MCA: Minimum Circuit Ampere [A]
- MFA: Maximum Fuse Ampere [A]
- RLA: Rated load amps [A]
- OFM: Outdoor fan motor
- MSC: Maximum starting current
- FLA: Full Load Ampere [A]
- kW: Fan motor rated output [kW]

Notes

- 1) The ·RLA· is based on the following conditions.
Outdoor temperature ·35·°C DB
Indoor temperature ·27·°C DB / ·19·°C WB
- 2) Select the wire size according to the MCA.
- 3) The maximum allowable voltage that is unbalanced between phases is ·2·%.
- 4) Use a circuit breaker instead of a fuse.
- 5) Only for wall-mounted ·FVXM· units

3D129421C

4 Combination table

4 - 1 Combination Table

2MXM40A

Cooling ·230V 50Hz·

Outdoor unit	Indoor unit	Cooling capacity [kW]		Total capacity [kW]			Power input [kW]			Total current [A]			Power factor [%]
		Room ·A·	Room ·B·	Minimum	Nominal	Maximum	Minimum	Nominal	Maximum	Minimum	Nominal	Maximum	
2MXM40M2V1B 2MXM40M3V1B 2MXM40M4V1B 2MXM40N2V1B 2MXM40N2V1B9 2MXM40A2V1B	1.5	1,50	-	1,30	1,50	2,00	0,33	0,31	0,40	1,78	1,70	2,17	79
	2.0	2,00	-	1,30	2,00	2,40	0,33	0,44	0,57	1,78	2,38	3,09	79
	2.5	2,50	-	1,30	2,50	3,00	0,33	0,61	0,80	1,78	3,33	4,40	79
	3.5	3,50	-	1,30	3,50	4,00	0,33	1,04	1,35	1,78	5,71	7,38	79
	1.5+1.5	1,50	1,50	1,50	3,00	3,60	0,31	0,60	0,73	1,67	3,33	4,00	79
	1.5+2.0	1,50	2,00	1,50	3,50	4,00	0,31	0,79	0,91	1,67	4,35	4,98	79
	1.5+2.5	1,50	2,50	1,50	4,00	4,20	0,31	0,98	1,03	1,67	5,37	5,64	79
	1.5+3.5	1,20	2,80	1,50	4,00	4,40	0,31	0,96	1,06	1,67	5,30	5,83	79
	2.0+2.0	2,00	2,00	1,50	4,00	4,20	0,31	0,97	1,02	1,67	5,34	5,61	79
	2.0+2.5	1,78	2,22	1,50	4,00	4,30	0,31	0,96	1,04	1,67	5,30	5,70	79
	2.0+3.5	1,45	2,55	1,50	4,00	4,50	0,31	0,95	1,08	1,67	5,25	5,91	79
	2.5+2.5	2,00	2,00	1,50	4,00	4,40	0,31	0,96	1,06	1,67	5,27	5,80	79
	2.5+3.5	1,67	2,33	1,50	4,00	4,60	0,31	0,94	1,09	1,67	5,20	5,98	79

Notes

- The total capacity of each connected indoor unit is up to ·6·kW.
- The values mentioned in this document are for connecting with the following indoor unit types:
·1.5, 2.0, 2.5, 3.5· kW class
Wall-mounted ·CTXA-AS, CXTA-AT, CXTA-AW, CXTA-BB, CXTA-BS, CXTA-BT, CTXM-M, CTXM-N, CTXM-R, FTXA-AS, FTXA-AT, FTXA-AW, FTXA-BB, FTXA-BS, FTXA-BT, FTXM-M, FTXM-N, FTXM-R, FTXJ-AB, FTXJ-AS, FTXJ-AW· series
- Cooling capacity conditions
Indoor temperature ·27·°C DB / ·19·°C WB
Outdoor temperature ·35·°C DB
- For additional information on the connection of the DHW generator for Multi and the Hybrid for Multi, see ·3D106169·.

4D139784A

2MXM40A

Heating ·230V 50Hz·

Outdoor unit	Indoor unit	Heating capacity [kW]		Total capacity [kW]			Power input [kW]			Total current [A]			Power factor [%]
		Room ·A·	Room ·B·	Minimum	Nominal	Maximum	Minimum	Nominal	Maximum	Minimum	Nominal	Maximum	
2MXM40M2V1B 2MXM40M3V1B 2MXM40M4V1B 2MXM40N2V1B 2MXM40N2V1B9 2MXM40A2V1B	1,5	2,00	-	1,00	2,00	3,30	0,26	0,68	1,04	1,43	3,66	5,69	79
	2,0	2,70	-	1,00	2,70	3,70	0,26	0,75	1,24	1,43	4,11	6,78	79
	2,5	3,40	-	1,00	3,40	4,10	0,26	1,02	1,48	1,43	5,59	8,09	79
	3,5	3,80	-	1,00	3,80	4,40	0,26	1,28	1,71	1,43	7,02	9,40	79
	1.5+1.5	1,75	1,75	1,20	3,50	4,30	0,24	0,80	0,99	1,31	4,43	5,45	79
	1.5+2.0	1,63	2,17	1,20	3,80	4,50	0,24	0,88	1,04	1,31	4,85	5,75	79
	1.5+2.5	1,58	2,63	1,20	4,20	4,60	0,24	1,00	1,10	1,31	5,53	6,06	79
	1.5+3.5	1,26	2,94	1,20	4,20	4,70	0,24	0,96	1,12	1,31	5,29	5,92	79
	2.0+2.0	2,10	2,10	1,20	4,20	4,60	0,22	0,98	1,08	1,21	5,41	5,93	79
	2.0+2.5	1,87	2,33	1,20	4,20	4,70	0,22	0,97	1,09	1,21	5,36	6,00	79
	2.0+3.5	1,53	2,67	1,20	4,20	4,80	0,22	0,95	1,09	1,21	5,25	6,00	79
	2.5+2.5	2,10	2,10	1,20	4,20	4,70	0,22	0,96	1,08	1,21	5,29	5,92	79
	2.5+3.5	1,75	2,45	1,20	4,20	4,80	0,22	0,94	1,08	1,21	5,19	5,94	79

Notes

- The total capacity of each connected indoor unit is up to ·6·kW.
- The values mentioned in this document are for connecting with the following indoor unit types:
·1.5, 2.0, 2.5, 3.5· kW class
Wall-mounted ·CTXA-AS, CXTA-AT, CXTA-AW, CXTA-BB, CXTA-BS, CXTA-BT, CTXM-M, CTXM-N, CTXM-R, FTXA-AS, FTXA-AT, FTXA-AW, FTXA-BB, FTXA-BS, FTXA-BT, FTXM-M, FTXM-N, FTXM-R, FTXJ-AB, FTXJ-AS, FTXJ-AW· series
- Heating capacity conditions
Indoor temperature ·20·°C DB
Outdoor temperature ·7·°C DB / ·6·°C WB
- For additional information on the connection of the DHW generator for Multi and the Hybrid for Multi, see ·3D106169·.

4D139786A

4 Combination table

4 - 1 Combination Table

4

2MXM50A

Cooling · 230V 50Hz·

Outdoor unit	Indoor unit	Cooling capacity [kW]		Total capacity [kW]			Power input [kW]			Total current [A]			Power factor [%]
		Room -A-	Room -B-	Minimum	Nominal	Maximum	Minimum	Nominal	Maximum	Minimum	Nominal	Maximum	
2MXM50M2V1B 2MXM50M2V1B9 2MXM50M3V1B9 2MXM50N2V1B 2MXM50N2V1B9 2MXM50A2V1B	1.5	1,50	-	1,40	1,50	2,20	0,31	0,32	0,52	1,53	1,55	2,53	89
	2.0	2,00	-	1,40	2,00	2,90	0,31	0,47	0,77	1,53	2,25	3,76	89
	2.5	2,50	-	1,40	2,50	3,10	0,31	0,67	0,92	1,53	3,27	4,50	89
	3.5	3,50	-	1,40	3,50	4,10	0,31	1,09	1,46	1,53	5,32	7,13	89
	4.2	4,20	-	1,40	4,20	4,70	0,31	1,59	1,75	1,53	7,73	8,57	89
	5.0	5,00	-	1,60	5,00	5,30	0,33	1,30	1,44	1,64	6,33	7,01	89
	1.5+1.5	1,50	1,50	1,60	3,00	4,20	0,33	0,62	0,87	1,64	3,03	4,25	89
	1.5+2.0	1,50	2,00	1,60	3,50	4,20	0,33	0,76	0,91	1,64	3,71	4,46	89
	1.5+2.5	1,50	2,50	1,60	4,00	4,20	0,33	0,94	0,99	1,64	4,60	4,83	89
	1.5+3.5	1,50	3,50	1,60	5,00	5,00	0,33	1,25	1,25	1,64	6,10	6,10	89
	1.5+4.2	1,32	3,68	1,60	5,00	5,40	0,33	1,23	1,54	1,64	6,04	6,53	89
	2.0+2.0	2,00	2,00	1,80	4,00	5,00	0,33	0,94	1,28	1,64	4,60	5,75	89
	2.0+2.5	2,00	2,50	1,80	4,50	5,10	0,33	1,07	1,31	1,64	5,23	5,93	89
	2.0+3.5	1,82	3,18	1,80	5,00	5,40	0,33	1,24	1,49	1,64	6,05	6,54	89
	2.0+4.2	1,61	3,39	1,80	5,00	5,50	0,33	1,23	1,51	1,64	6,01	6,62	89
	2.0+5.0	1,43	3,57	1,80	5,00	5,50	0,33	1,22	1,44	1,64	5,95	6,55	89
	2.5+2.5	2,50	2,50	1,80	5,00	5,30	0,33	1,25	1,42	1,64	6,10	6,47	89
	2.5+3.5	2,08	2,92	1,80	5,00	5,40	0,33	1,23	1,43	1,64	6,02	6,51	89
	2.5+4.2	1,87	3,13	1,80	5,00	5,50	0,33	1,22	1,45	1,64	5,98	6,58	89
	2.5+5.0	1,67	3,33	1,80	5,00	5,50	0,33	1,21	1,38	1,64	5,92	6,52	89
	3.5+3.5	2,50	2,50	1,80	5,00	5,40	0,33	1,22	1,42	1,64	5,95	6,43	89
	3.5+4.2	2,27	2,73	1,80	5,00	5,50	0,33	1,21	1,40	1,64	5,90	6,49	89
	3.5+5.0	2,06	2,94	1,80	5,00	5,50	0,33	1,20	1,34	1,64	5,85	6,44	89
	4.2+4.2	2,50	2,50	1,80	5,00	5,50	0,33	1,20	1,38	1,64	5,88	6,47	89

Notes

- The total capacity of each connected indoor unit is up to ·8.5-kW.
- The values mentioned in this document are for connecting with the following indoor unit types:
·1.5, 2.0, 2.5, 3.5, 4.2, 5.0· kW class
Wall-mounted ·CTXA-AS, CTXA-AT, CTXA-AW, CTXA-BB, CTXA-BS, CTXA-BT, CTXM-M, CTXM-N, CTXM-R, FTXA-AS, FTXA-AT, FTXA-AW, FTXA-BB, FTXA-BS, FTXA-BT, FTXM-M, FTXM-N, FTXM-R, FTJX-AB, FTJX-AS, FTJX-AW· series
- Cooling capacity conditions
Indoor temperature ·27·°C DB / ·19·°C WB
Outdoor temperature ·35·°C DB
- For additional information on the connection of the DHW generator for Multi and the Hybrid for Multi, see ·3D106169·.

4D139787A

2MXM50A

Heating · 230V 50Hz·

Outdoor unit	Indoor unit	Heating capacity [kW]		Total capacity [kW]			Power input [kW]			Total current [A]			Power factor [%]
		Room -A-	Room -B-	Minimum	Nominal	Maximum	Minimum	Nominal	Maximum	Minimum	Nominal	Maximum	
2MXM50M2V1B 2MXM50M2V1B9 2MXM50M3V1B9 2MXM50N2V1B 2MXM50N2V1B9 2MXM50A2V1B	1.5	2,30	-	1,10	2,30	3,30	0,29	0,78	0,95	1,44	3,82	4,66	89
	2.0	3,00	-	1,10	3,00	3,70	0,27	0,82	1,13	1,33	3,99	5,52	89
	2.5	3,40	-	1,10	3,40	4,10	0,25	0,99	1,34	1,23	4,81	6,54	89
	3.5	4,20	-	1,10	4,20	4,80	0,25	1,30	1,60	1,23	6,36	7,80	89
	4.2	4,60	-	1,10	4,60	5,00	0,23	1,49	1,81	1,12	7,27	8,85	89
	5.0	5,50	-	1,20	5,50	5,60	0,23	1,35	1,51	1,12	6,56	9,01	89
	1.5+1.5	1,80	1,80	1,20	3,60	5,00	0,23	0,79	1,09	1,12	3,84	5,34	89
	1.5+2.0	1,67	2,23	1,20	3,90	5,00	0,23	0,90	1,16	1,12	4,40	5,65	89
	1.5+2.5	1,69	2,81	1,20	4,50	5,19	0,23	1,10	1,27	1,12	5,39	6,22	89
	1.5+3.5	1,56	3,64	1,20	5,20	5,70	0,25	1,28	1,40	1,23	6,25	6,86	89
	1.5+4.2	1,47	4,13	1,20	5,60	5,96	0,25	1,37	1,46	1,23	6,71	7,15	89
	1.5+5.0	1,29	4,31	1,20	5,60	6,16	0,25	1,37	1,50	1,23	6,68	7,35	89
	2.0+2.0	2,35	2,35	1,20	4,70	5,70	0,23	1,15	1,40	1,12	5,61	6,82	89
	2.0+2.5	2,27	2,83	1,20	5,10	5,80	0,23	1,24	1,42	1,12	6,08	6,92	89
	2.0+3.5	2,04	3,56	1,20	5,60	5,90	0,25	1,36	1,43	1,23	6,65	7,01	89
	2.0+4.2	1,81	3,79	1,20	5,60	6,00	0,25	1,36	1,46	1,23	6,63	7,11	89
	2.0+5.0	1,60	4,00	1,20	5,60	6,20	0,25	1,35	1,50	1,23	6,60	7,31	89
	2.5+2.5	2,80	2,80	1,20	5,60	5,80	0,23	1,37	1,42	1,12	6,71	6,95	89
	2.5+3.5	2,33	3,27	1,20	5,60	6,00	0,25	1,38	1,48	1,23	6,76	7,25	89
	2.5+4.2	2,09	3,51	1,20	5,60	6,10	0,25	1,39	1,51	1,23	6,79	7,40	89
	2.5+5.0	1,87	3,73	1,30	5,60	6,30	0,25	1,41	1,58	1,23	6,88	7,74	89
	3.5+3.5	2,80	2,80	1,30	5,60	6,10	0,25	1,40	1,52	1,23	6,83	7,44	89
	3.5+4.2	2,55	3,05	1,30	5,60	6,20	0,25	1,40	1,55	1,23	6,84	7,58	89
	3.5+5.0	2,31	3,29	1,30	5,60	6,40	0,25	1,42	1,63	1,23	6,95	7,95	89
4.2+4.2	2,80	2,80	1,30	5,60	6,30	0,25	1,41	1,58	1,23	6,88	7,74	89	

Notes

- The total capacity of each connected indoor unit is up to ·8.5-kW.
- The values mentioned in this document are for connecting with the following indoor unit types:
·1.5, 2.0, 2.5, 3.5, 4.2, 5.0· kW class
Wall-mounted ·CTXA-AS, CTXA-AT, CTXA-AW, CTXA-BB, CTXA-BS, CTXA-BT, CTXM-M, CTXM-N, CTXM-R, FTXA-AS, FTXA-AT, FTXA-AW, FTXA-BB, FTXA-BS, FTXA-BT, FTXM-M, FTXM-N, FTXM-R, FTJX-AB, FTJX-AS, FTJX-AW· series
- Heating capacity conditions
Indoor temperature ·20·°C DB
Outdoor temperature ·7·°C DB / ·6·°C WB
- For additional information on the connection of the DHW generator for Multi and the Hybrid for Multi, see ·3D106169·.

4D139795A

4 Combination table

4 - 1 Combination Table

2MXM68A

Cooling -230V 50Hz-

Outdoor unit	Indoor unit	Cooling capacity [kW]			Total capacity [kW]			Power input [kW]			Total current [A]			Power factor [%]
		Room -A-	Room -B-	Minimum	Nominal	Maximum	Minimum	Nominal	Maximum	Minimum	Nominal	Maximum		
2MXM68N2V1B 2MXM68A2V1B	1.5	1,60	---	1,52	1,60	2,49	0,40	0,42	0,59	1,82	1,98	2,71	95	
	2.0	2,00	---	1,65	2,00	3,00	0,41	0,43	0,67	1,89	2,08	3,08	95	
	2.5	2,50	---	1,74	2,50	3,44	0,44	0,44	0,82	2,00	2,62	3,77	95	
	3.5	3,50	---	1,93	3,50	4,86	0,46	0,46	1,43	2,09	3,84	6,53	95	
	4.2	4,20	---	1,93	4,20	5,33	0,46	0,46	1,43	2,09	3,93	6,56	95	
	5.0	5,00	---	1,94	5,00	6,03	0,44	0,44	2,13	2,00	7,20	9,77	95	
	6.0	6,00	---	1,94	6,00	6,51	0,44	0,44	2,13	2,00	7,29	9,77	95	
	1.5+1.5	1,50	1,50	1,95	3,00	4,79	0,40	0,51	1,15	1,81	2,34	5,25	95	
	1.5+2.0	1,50	2,00	1,95	3,50	4,96	0,40	0,62	1,22	1,81	2,84	5,58	95	
	1.5+2.5	1,50	2,50	1,95	4,00	5,28	0,40	0,75	1,36	1,81	3,44	6,23	95	
	1.5+3.5	1,50	3,50	1,95	5,00	6,17	0,39	1,04	1,83	1,77	4,76	8,39	95	
	1.5+4.2	1,50	4,20	1,95	5,70	6,39	0,39	1,27	1,96	1,77	5,82	8,97	95	
	1.5+5.0	1,50	5,00	1,95	6,50	7,08	0,38	1,50	2,23	1,73	6,87	10,22	95	
	1.5+6.0	1,36	5,44	1,96	6,80	7,59	0,37	1,62	2,36	1,68	7,42	10,79	95	
	2.0+2.0	2,00	2,00	1,95	4,00	5,12	0,40	0,75	1,29	1,81	3,44	5,91	95	
	2.0+2.5	2,00	2,50	1,95	4,50	5,44	0,40	0,89	1,43	1,81	4,08	6,56	95	
	2.0+3.5	2,00	3,50	1,95	5,50	6,30	0,39	1,17	1,91	1,77	5,36	8,76	95	
	2.0+4.2	2,00	4,20	1,95	6,20	6,51	0,39	1,43	2,05	1,77	6,55	9,37	95	
	2.0+5.0	1,94	4,86	1,95	6,80	7,26	0,38	1,59	2,36	1,73	7,28	10,79	95	
	2.0+6.0	1,70	5,10	1,96	6,80	7,71	0,37	1,61	2,45	1,68	7,37	11,20	95	
	2.5+2.5	2,50	2,50	1,95	5,00	6,10	0,41	1,01	1,78	1,89	4,63	8,15	95	
	2.5+3.5	2,50	3,50	1,95	6,00	6,57	0,40	1,29	2,11	1,81	5,91	9,65	95	
	2.5+4.2	2,50	4,20	1,95	6,70	6,95	0,40	1,51	2,38	1,81	6,92	10,88	95	
	2.5+5.0	2,27	4,53	1,95	6,80	7,37	0,37	1,50	2,45	1,68	6,87	11,20	95	
	2.5+6.0	2,00	4,80	1,96	6,80	7,71	0,35	1,48	2,45	1,60	6,78	11,20	95	
	3.5+3.5	3,40	3,40	1,95	6,80	7,13	0,38	1,45	2,37	1,73	6,64	10,83	95	
	3.5+4.2	3,09	3,71	1,95	6,80	7,24	0,38	1,45	2,46	1,73	6,64	11,24	95	
	3.5+5.0	2,80	4,00	1,95	6,80	7,76	0,35	1,42	2,78	1,60	6,50	12,71	95	
	3.5+6.0	2,51	4,29	2,26	6,80	8,07	0,40	1,40	2,72	1,81	6,41	12,46	95	
	4.2+4.2*	3,40	3,40	1,95	6,80	7,14	0,38	1,44	2,37	1,73	6,60	10,83	95	
	4.2+5.0*	3,10	3,70	1,95	6,80	7,77	0,35	1,41	2,78	1,60	6,46	12,71	95	
	4.2+6.0*	2,80	4,00	2,26	6,80	8,08	0,40	1,40	2,72	1,81	6,41	12,46	95	

Notes

- The total capacity of each connected indoor unit is up to -10.2-kW.
- The values mentioned in this document are for connecting with the following indoor unit types:
 -1.5, 2.0, 2.5, 3.5, 4.2, 5.0, 6.0-kW class
 Wall-mounted -CTXA-AS, CXTA-AT, CXTA-AW, CXTA-BB, CXTA-BS, CXTA-BT, CXTM-M, CXTM-N, CXTM-R, FTXA-AS, FTXA-AT, FTXA-AW, FTXA-BB, FTXA-BS, FTXA-BT, FTXM-M, FTXM-N, FTXM-R, FTXJ-AB, FTXJ-AS, FTXJ-AW- series
 * Only for -CXTM-R- and -FTXM-R- series
- Cooling capacity conditions
 Indoor temperature -27-°C DB / -19-°C WB
 Outdoor temperature -35-°C DB
- For additional information on the connection of the DHW generator for Multi and the Hybrid for Multi, see -3D106169-.

4D139796A

2MXM68A

Heating -230V 50Hz-

Outdoor unit	Indoor unit	Heating capacity [kW]		Total capacity [kW]			Power input [kW]			Total current [A]			Power factor [%]
		Room -A-	Room -B-	Minimum	Nominal	Maximum	Minimum	Nominal	Maximum	Minimum	Nominal	Maximum	
2MXM68N2V1B 2MXM68A2V1B	1.5	2,70	---	1,20	2,70	4,08	0,34	0,72	1,22	1,55	3,35	5,59	95
	2.0	3,00	---	1,19	3,00	4,09	0,34	0,81	1,28	1,57	3,70	5,64	95
	2.5	3,40	-	1,22	3,40	4,30	0,35	1,02	1,37	1,61	4,72	6,08	95
	3.5	4,30	-	1,33	4,30	4,90	0,37	1,41	1,75	1,67	6,50	7,15	95
	4.2	4,90	-	1,44	4,90	5,70	0,40	1,58	2,04	1,82	7,25	7,15	95
	5.0	5,90	-	1,66	5,90	6,90	0,39	1,92	2,59	1,78	8,78	8,70	95
	6.0	7,20	-	1,88	7,20	8,91	0,37	2,39	2,64	1,69	10,94	12,08	95
	1.5+1.5	1,83	1,83	1,33	3,65	7,38	0,29	0,82	1,83	1,31	3,75	8,38	95
	1.5+2.0	1,76	2,34	1,39	4,10	7,76	0,30	0,94	1,99	1,37	4,31	9,09	95
	1.5+2.5	1,76	2,94	1,65	4,70	7,95	0,36	1,10	2,06	1,63	5,04	9,43	95
	1.5+3.5	1,77	4,13	1,80	5,90	8,50	0,37	1,45	2,35	1,68	6,61	10,74	95
	1.5+4.2	1,79	5,01	1,80	6,80	8,85	0,37	1,72	2,57	1,68	7,88	11,75	95
	1.5+5.0	1,80	6,00	2,18	7,80	10,38	0,45	2,03	2,91	2,06	9,27	13,31	95
	1.5+6.0	1,72	6,88	2,46	8,60	10,58	0,48	2,28	2,67	2,19	10,44	12,21	95
	2.0+2.0	2,40	2,40	1,65	4,80	7,95	0,36	1,01	2,31	1,63	4,63	9,47	95
	2.0+2.5	2,36	2,94	1,65	5,30	8,12	0,36	1,17	2,32	1,63	5,34	9,81	95
	2.0+3.5	2,36	4,14	1,80	6,50	8,67	0,37	1,52	2,43	1,68	6,94	11,12	95
	2.0+4.2	2,39	5,01	1,80	7,40	9,03	0,37	1,83	2,66	1,68	8,38	12,17	95
	2.0+5.0	2,37	5,93	2,18	8,30	10,56	0,45	2,18	3,00	2,06	9,98	13,73	95
	2.0+6.0	2,15	6,45	2,46	8,60	10,75	0,48	2,24	2,74	2,19	10,26	12,55	95
	2.5+2.5	2,95	2,95	1,65	5,90	8,49	0,36	1,33	2,36	1,63	6,08	10,78	95
	2.5+3.5	2,96	4,14	1,89	7,10	9,03	0,38	1,72	2,66	1,72	7,86	12,17	95
	2.5+4.2	2,99	5,01	1,89	8,00	9,29	0,38	2,03	2,82	1,72	9,31	12,93	95
	2.5+5.0	2,87	5,73	2,27	8,60	10,68	0,46	2,24	3,09	2,11	10,26	14,15	95
	2.5+6.0	2,53	6,07	2,55	8,60	10,88	0,50	2,22	2,77	2,28	10,17	12,67	95
	3.5+3.5	4,15	4,15	2,17	8,30	9,38	0,42	2,18	2,86	1,94	9,98	13,09	95
	3.5+4.2	3,91	4,69	2,17	8,60	9,47	0,42	2,26	2,91	1,94	10,35	13,31	95
	3.5+5.0	3,54	5,06	2,56	8,60	10,90	0,51	2,22	3,13	2,32	10,17	14,32	95
	3.5+6.0	3,17	5,43	2,74	8,60	11,01	0,52	2,21	2,76	2,37	10,12	12,63	95
	4.2+4.2*	4,30	4,30	2,17	8,60	9,56	0,42	2,22	2,94	1,94	10,17	13,47	95
	4.2+5.0*	3,93	4,67	2,56	8,60	10,91	0,51	2,21	3,19	2,32	10,12	14,61	95
	4.2+6.0*	3,54	5,06	2,74	8,60	11,02	0,51	2,20	2,79	2,32	10,07	12,76	95

Notes

- The total capacity of each connected indoor unit is up to -10.2-kW.
- The values mentioned in this document are for connecting with the following indoor unit types:
 -1.5, 2.0, 2.5, 3.5, 4.2, 5.0, 6.0-kW class
 Wall-mounted -CTXA-AS, CXTA-AT, CXTA-AW, CXTA-BB, CXTA-BS, CXTA-BT, CXTM-M, CXTM-N, CXTM-R, FTXA-AS, FTXA-AT, FTXA-AW, FTXA-BB, FTXA-BS, FTXA-BT, FTXM-M, FTXM-N, FTXM-R, FTXJ-AB, FTXJ-AS, FTXJ-AW- series
 * Only for -CXTM-R- and -FTXM-R- series
- Heating capacity conditions
 Indoor temperature -20-°C DB
 Outdoor temperature -7-°C DB / -6-°C WB
- For additional information on the connection of the DHW generator for Multi and the Hybrid for Multi, see -3D106169-.

4D139789A

5 Capacity tables

5 - 1 Capacity Table Legend

5

In order to fulfill more your requirements on quick access of data in the format you require, we have developed a tool to consult capacity tables.

Below you can find the link to the capacity table database and an overview of all the tools we have to help you select the correct product:

- **Capacity table database:** lets you find back and export quickly the capacity information you are looking for based upon unit model, refrigerant temperature and connection ratio.
- You can access the capacity table viewer here:
https://my.daikin.eu/content/denv/en_US/home/applications/software-finder/capacity-table-viewer.html



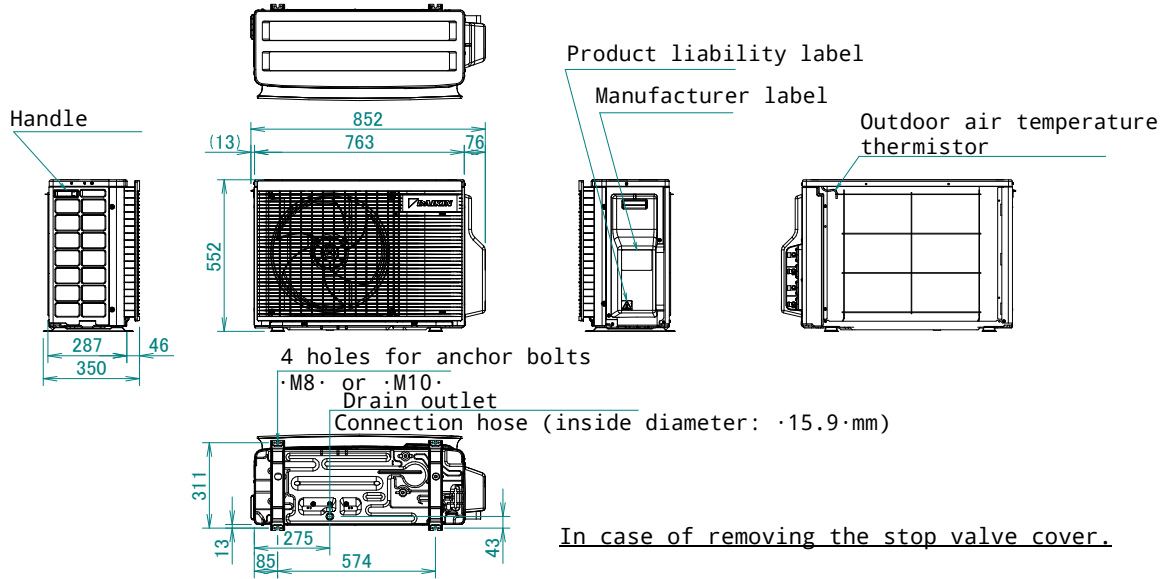
- An overview of **all software tools** that we offer can be found here:
https://my.daikin.eu/denv/en_US/home/applications/software-finder.html



6 Dimensional drawings

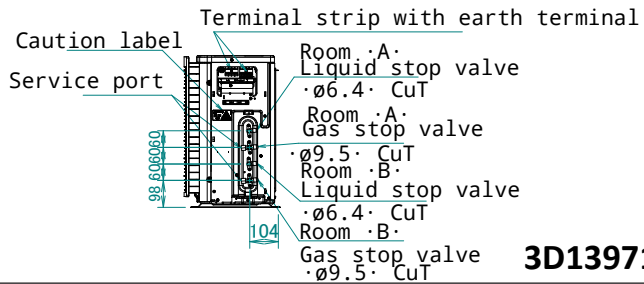
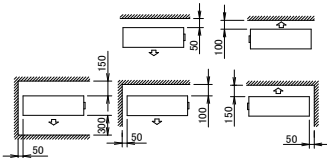
6 - 1 Dimensional Drawings

2MXM40A

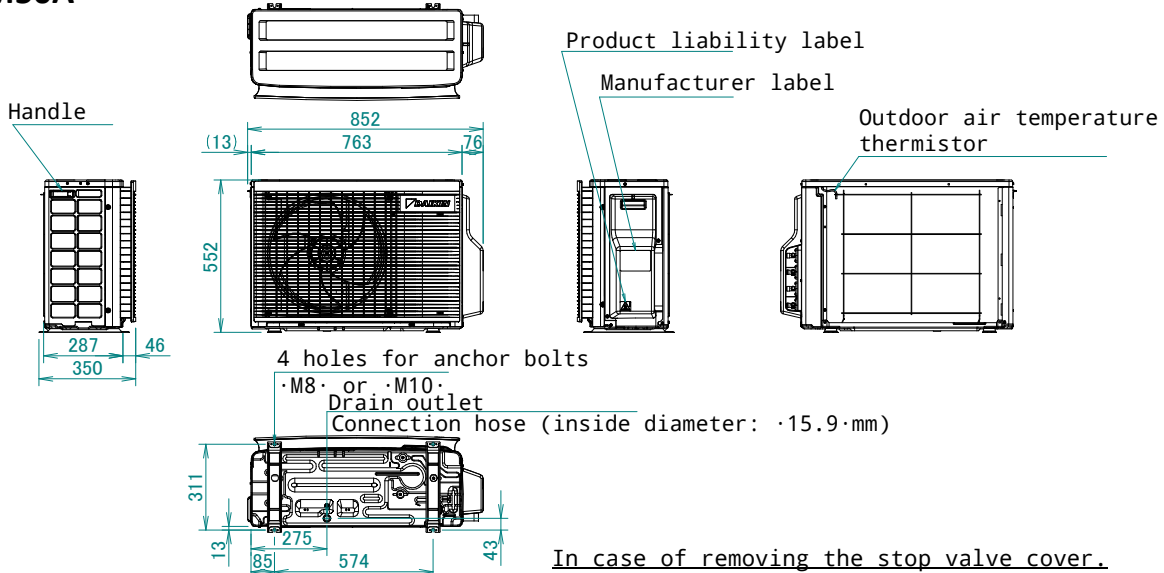


Minimum space for air passage

Wall height on air outlet side < 1200 mm

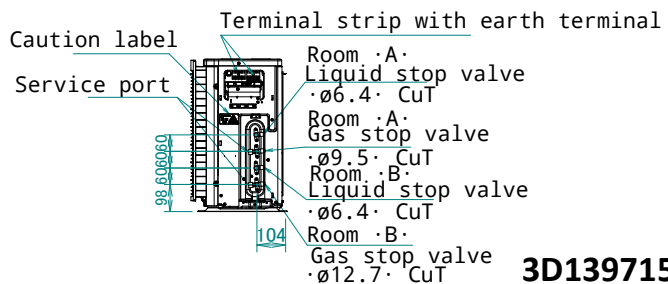
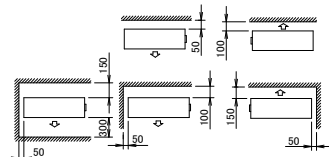


2MXM50A



Minimum space for air passage

Wall height on air outlet side < 1200 mm

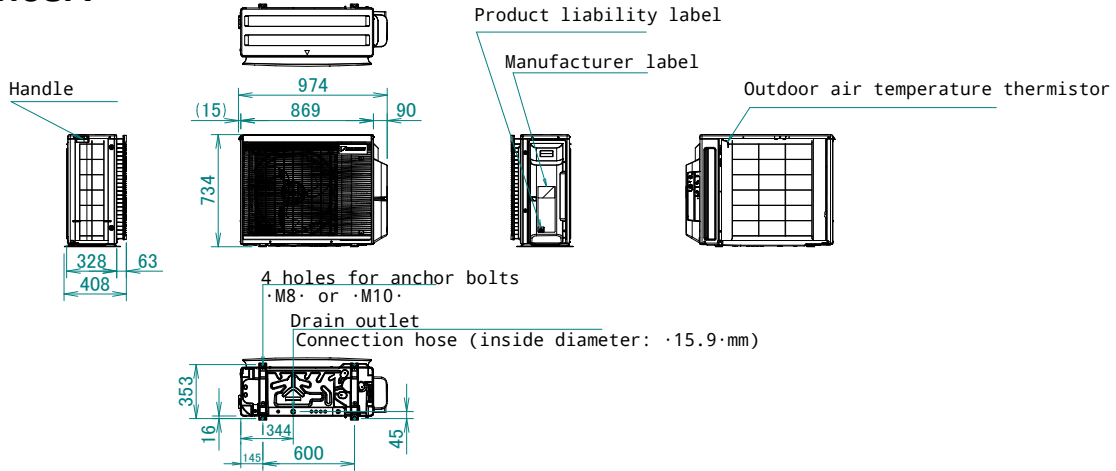


6 Dimensional drawings

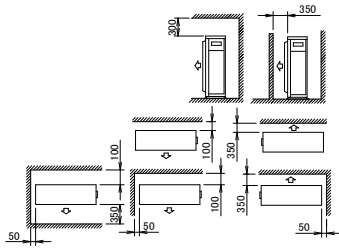
6 - 1 Dimensional Drawings

6

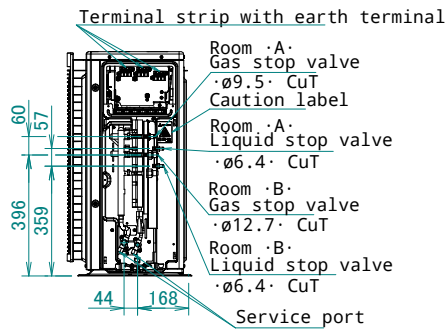
2MXM68A



Minimum space for air passage
Wall height on air outlet side < 1200 mm



In case of removing the stop valve cover.

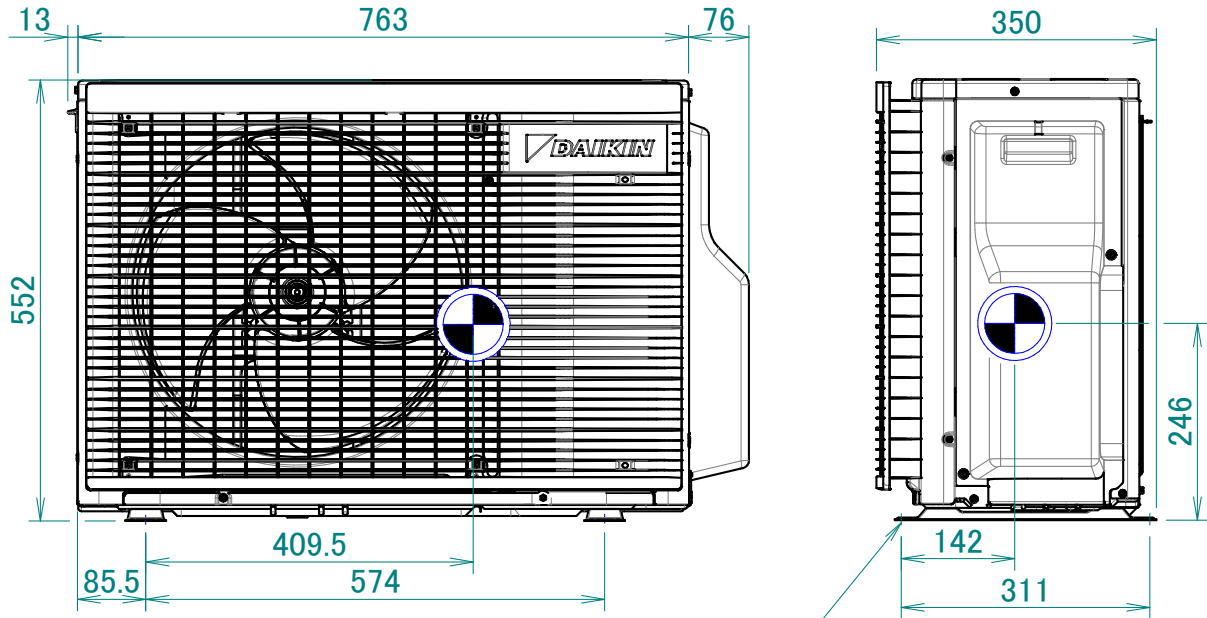


3D139689

7 Centre of gravity

7 - 1 Centre of Gravity

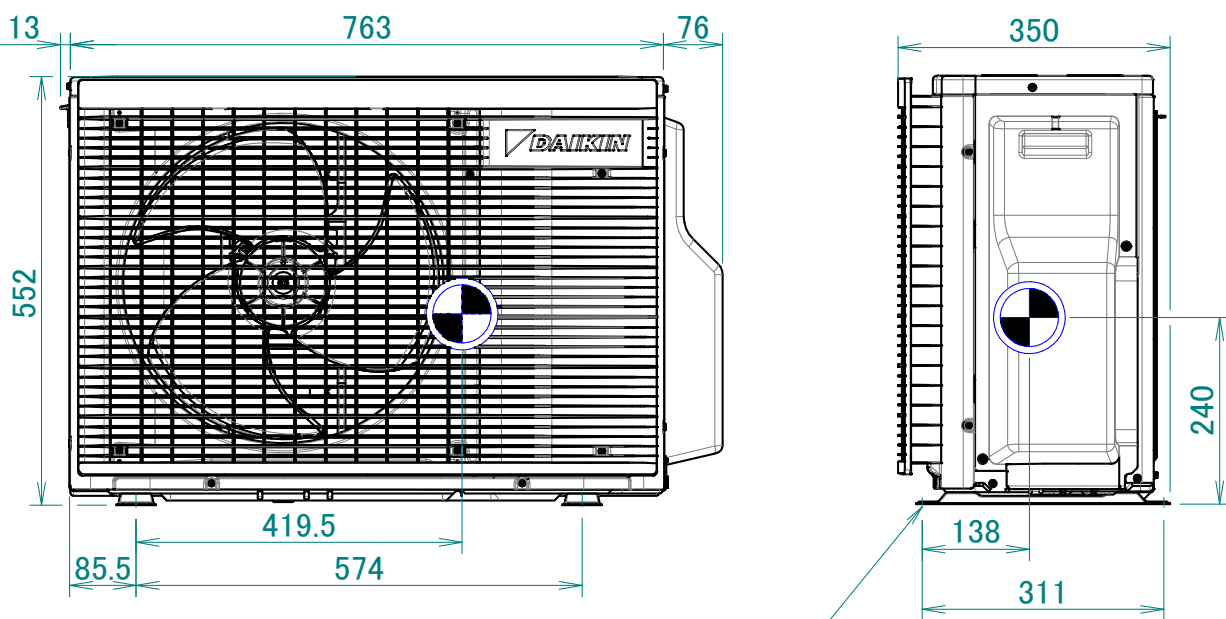
2MXM40A



Foundation bolt hole

4D139747

2MXM50A



Foundation bolt hole

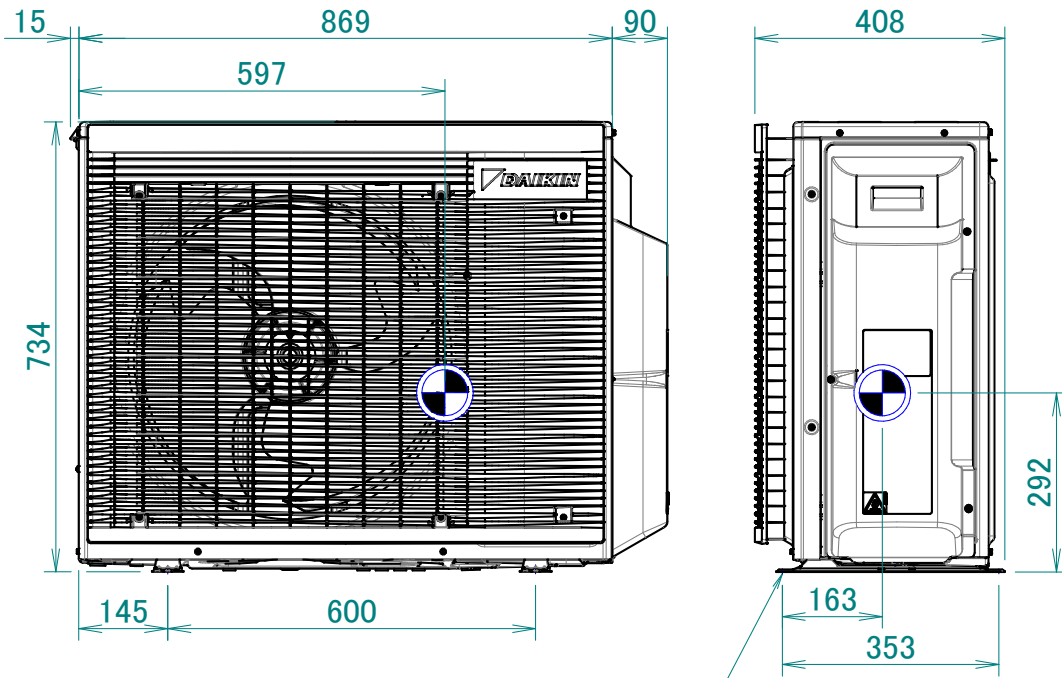
4D139693

7 Centre of gravity

7 - 1 Centre of Gravity

7

2MXM68A

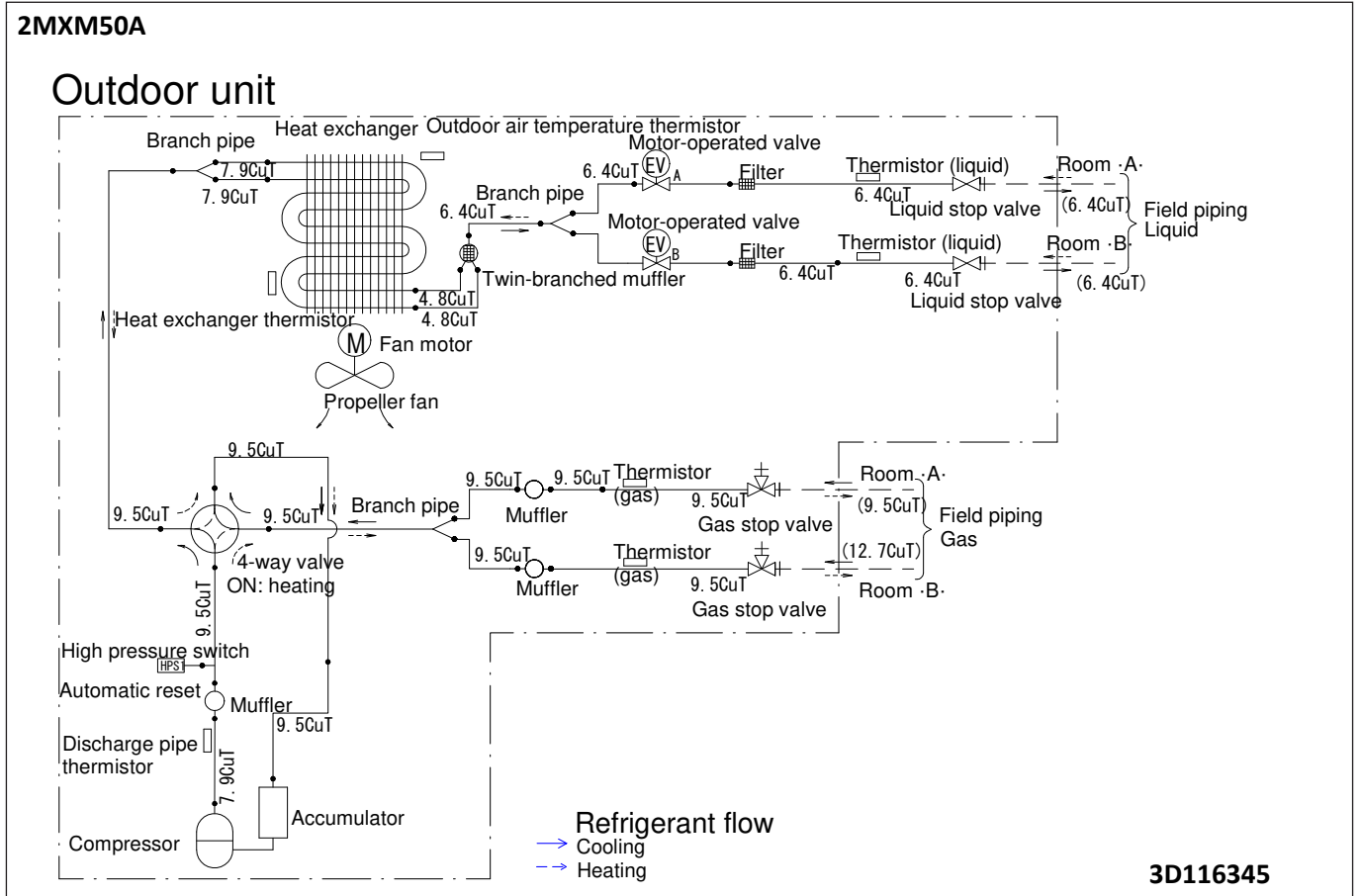
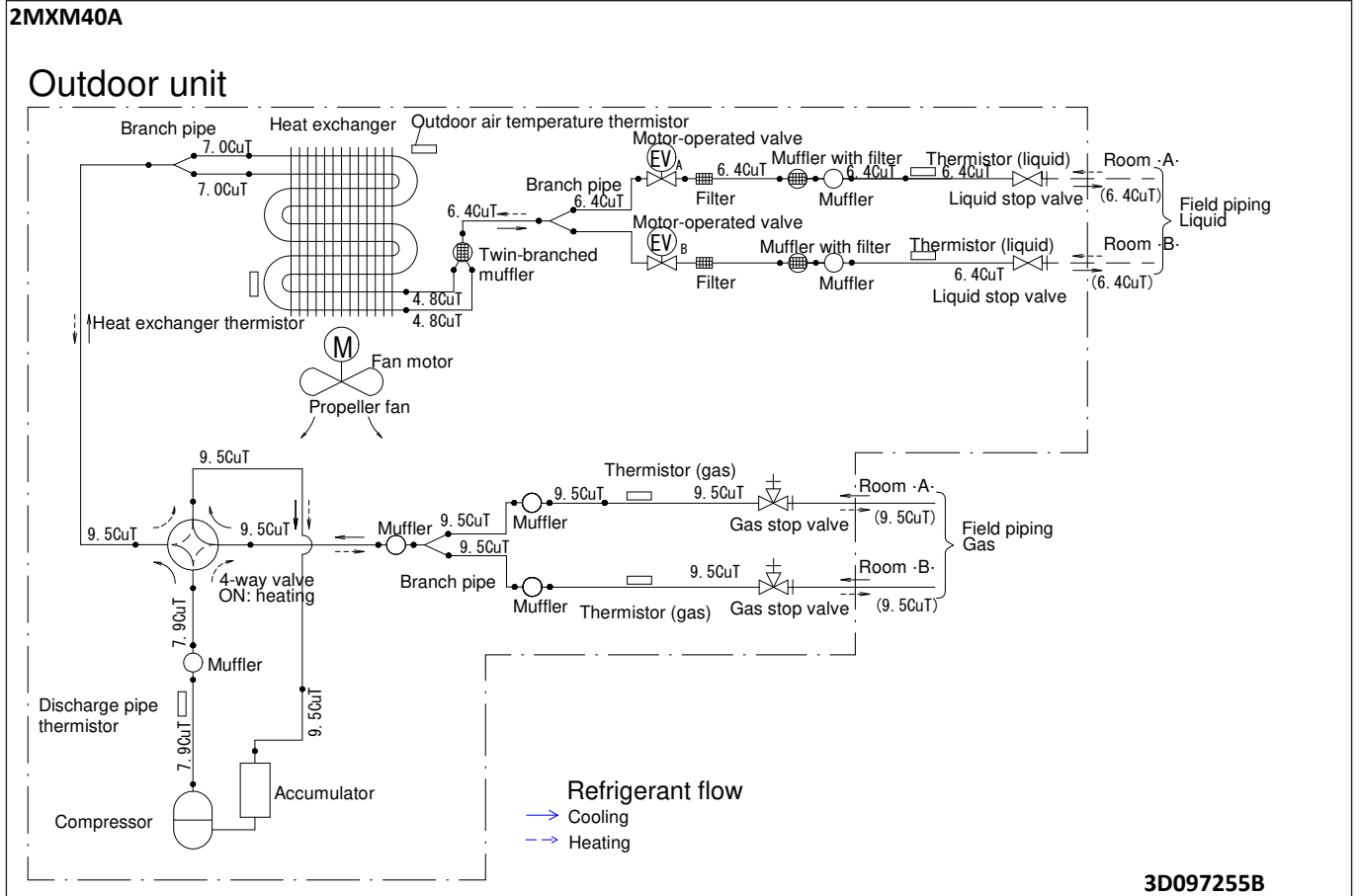


Foundation bolt hole

4D139754

8 Piping diagrams

8 - 1 Piping Diagrams



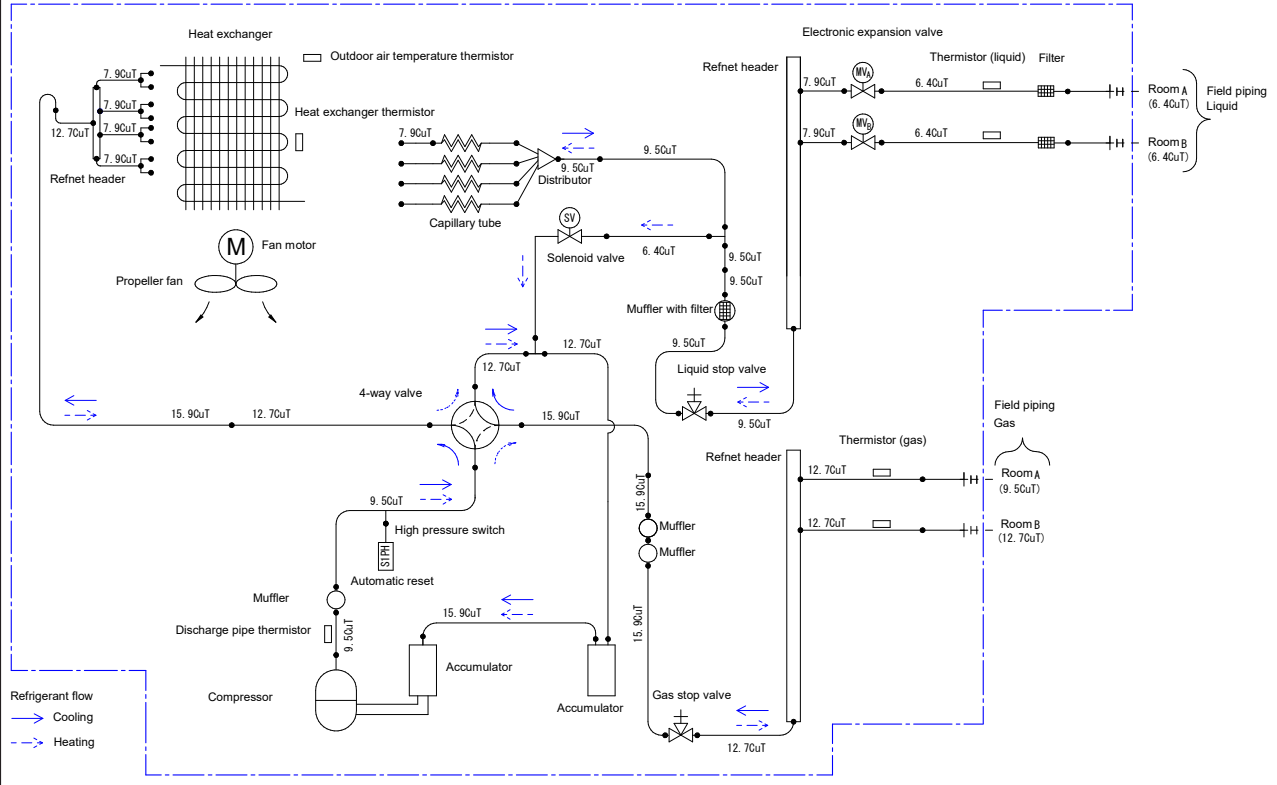
8 Piping diagrams

8 - 1 Piping Diagrams

8

2MXM68A

Outdoor Unit

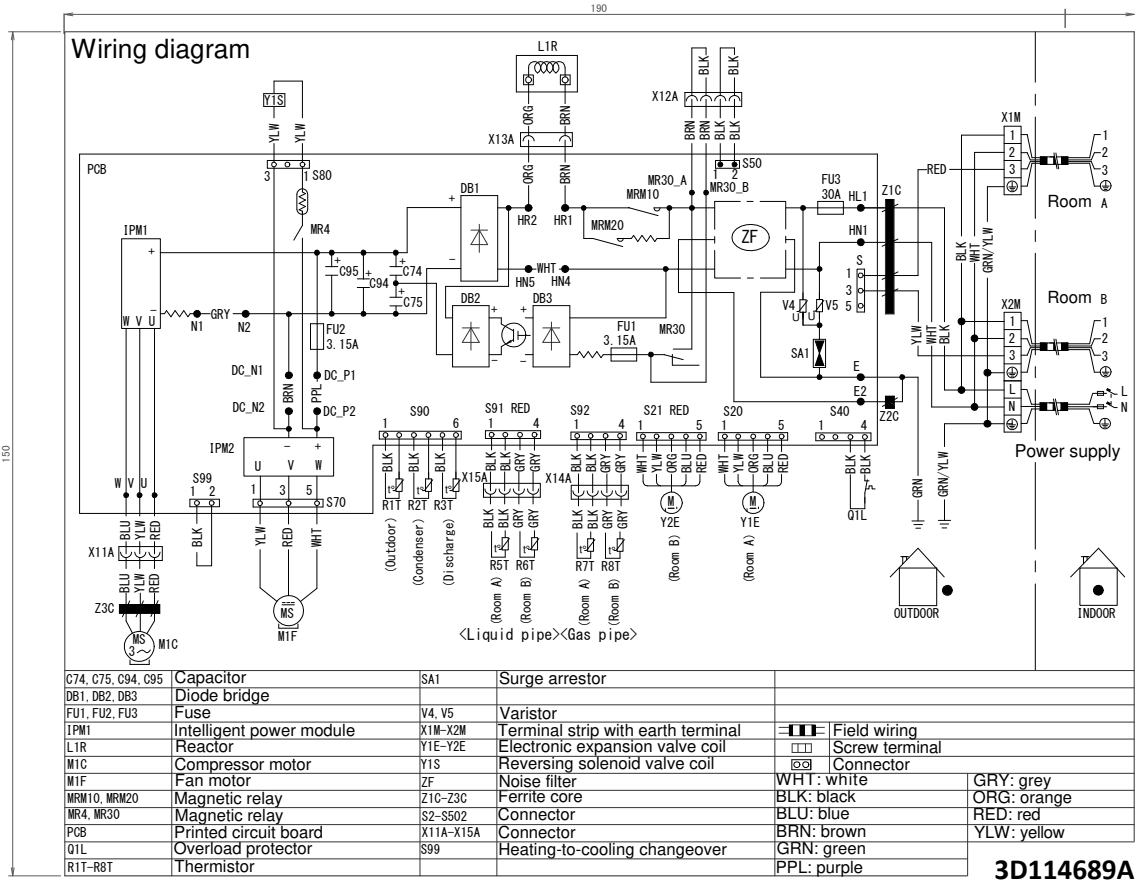


3D130564

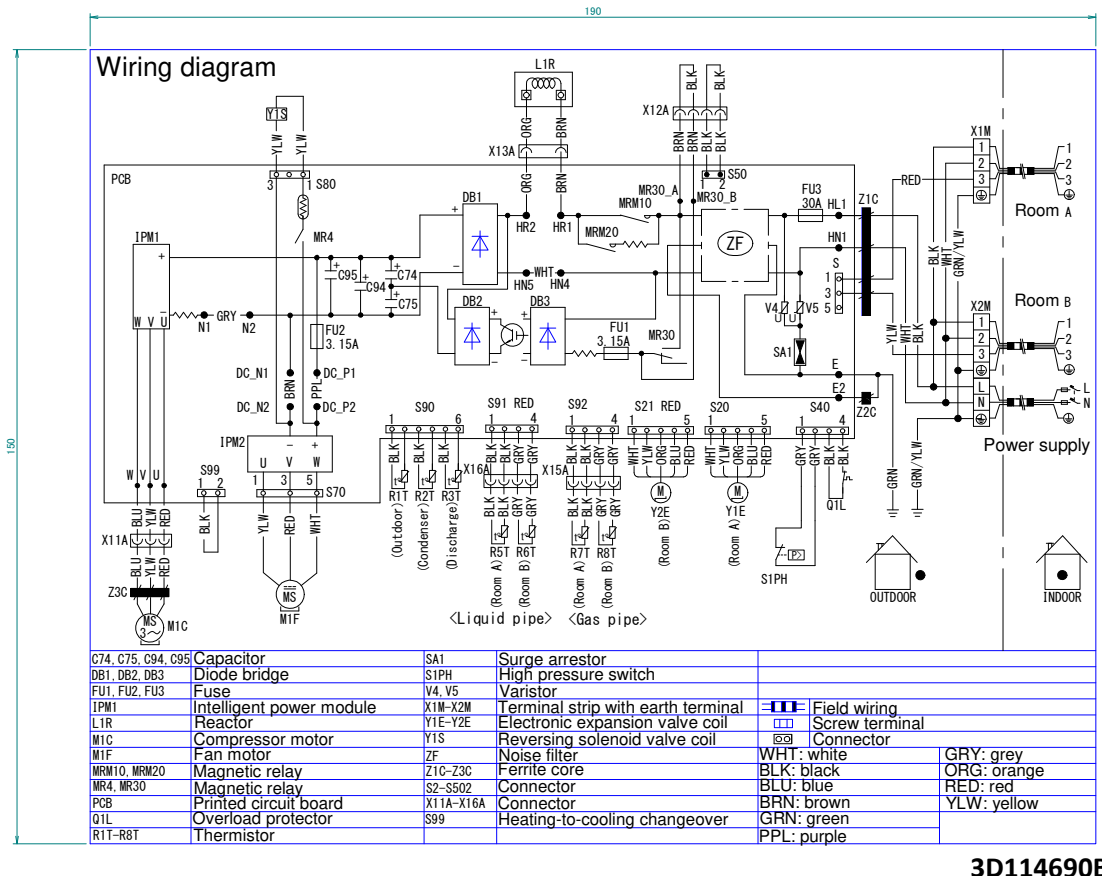
9 Wiring diagrams

9 - 1 Wiring Diagrams - Single Phase

2MXM40A



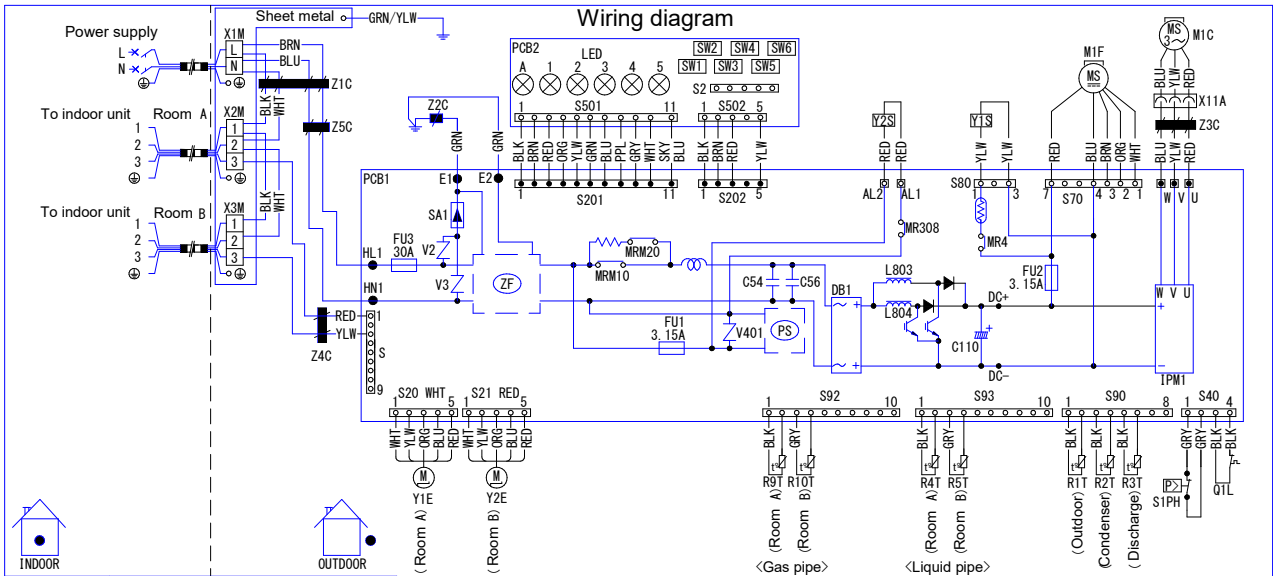
2MXM50A



9 Wiring diagrams

9 - 1 Wiring Diagrams - Single Phase

2MXM68A

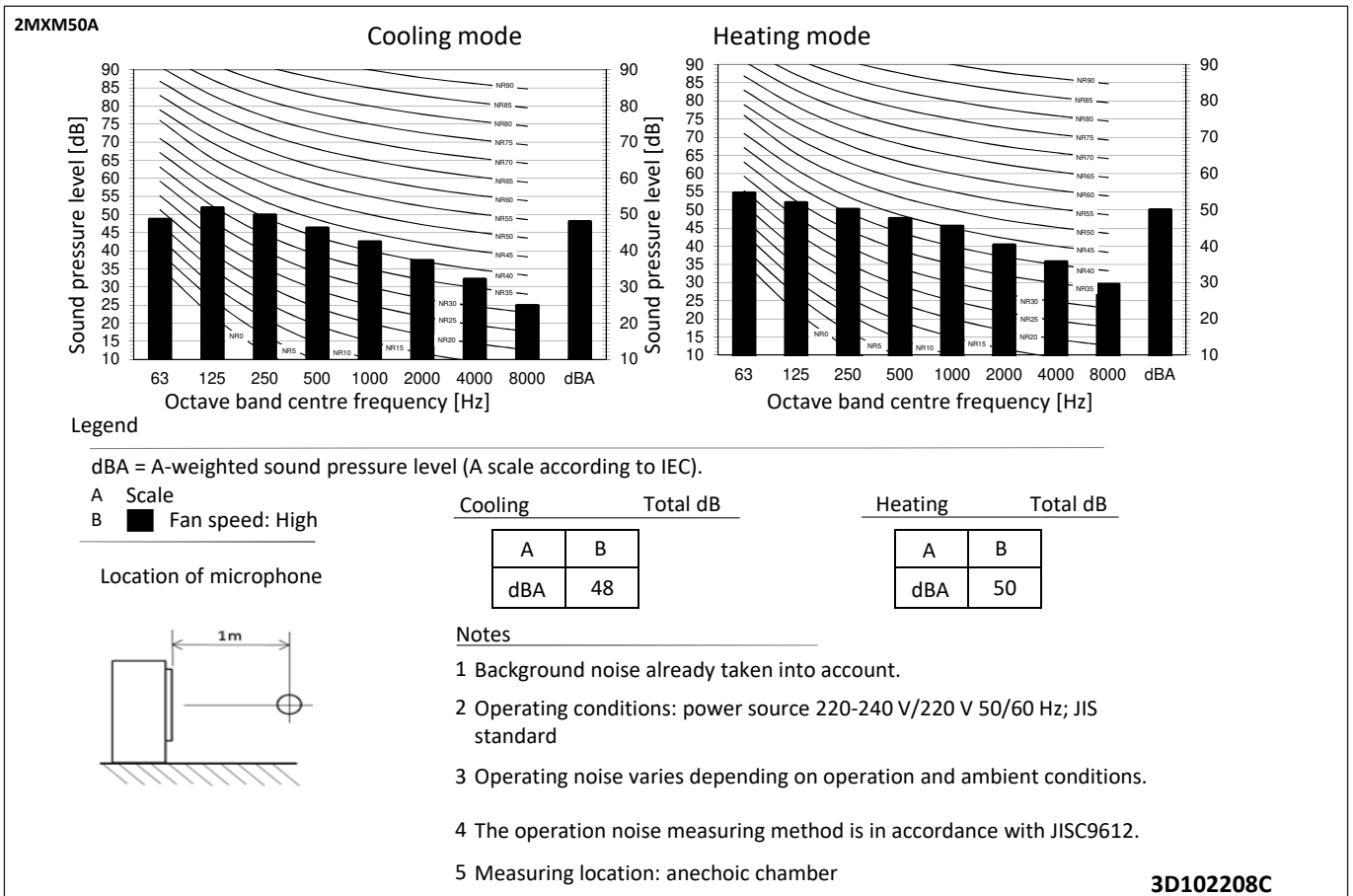
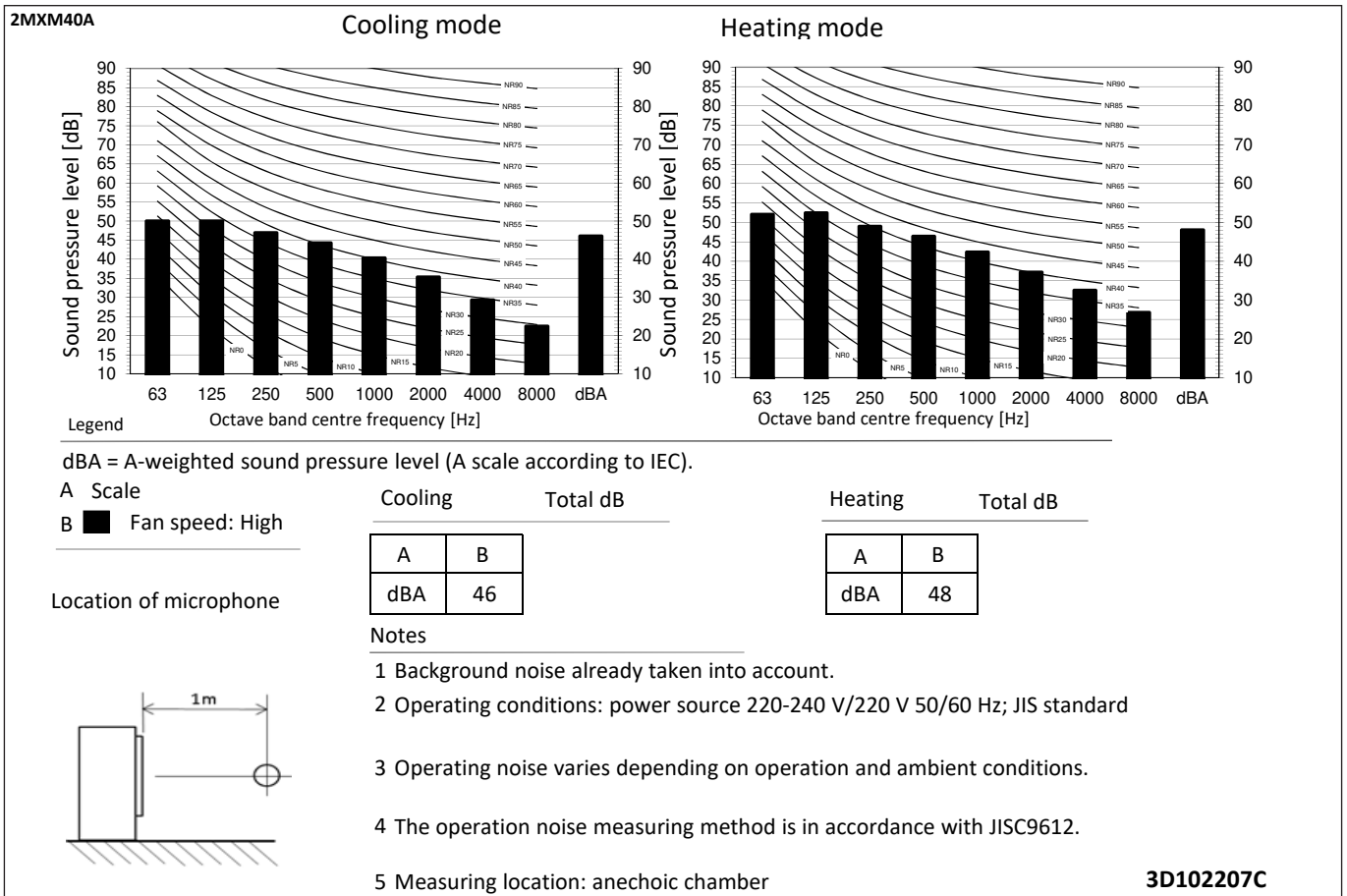


C110, C54, C56	Capacitor	Q1L	Overload protector	ZF	Noise filter
DB1	Diode bridge	R1T-R10T	Thermistor	S, S2-S502	Connector
FU1, FU2, FU3	Fuse	SA1	Surge arrester	U, V, W	Connector
IPM1	Intelligent power module	S1PH	High pressure switch	X11A, AL1, AL2	Connector
L803, L804	Reactor	SW1-SW6	Switch	-	Field wiring
LED1-5, LEDA	Light-emitting diode	V2, V3, V401	Varistor	□	Screw terminal
M1C	Compressor motor	X1M-X3M	Terminal strip with earth terminal	⊗	Connector
M1F	Fan motor	Y1E-Y2E	Electronic expansion valve coil	BLK:	black
MRM10, MRM20	Magnetic relay	Y1S	Reversing solenoid valve coil	BLU:	blue
MR4, MR308	Magnetic relay	Y2S	Solenoid valve	BRN:	brown
PCB1, PCB2	Printed circuit board	Z1C-Z5C	Ferrite core	GRN:	green
PS	Switching power supply			ORG:	orange
				PPL:	purple
				RED:	red
				SKY BLU:	sky blue
				WHT:	white
				YLW:	yellow
				3D130366-1	

3D130366

10 Sound data

10 - 1 Sound Pressure Spectrum

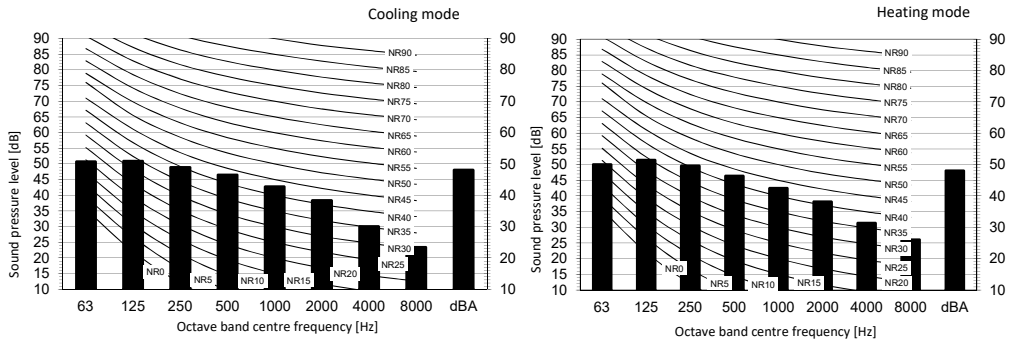


10 Sound data

10 - 1 Sound Pressure Spectrum

10

2MXM68A
3MXM68A

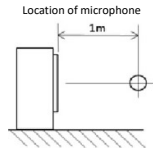


Legend

dBA = A-weighted sound pressure level (A scale according to IEC).

A Scale

B Fan speed: High



Cooling Total dB

A	B
dBA	48

Heating Total dB

A	B
dBA	49

Notes

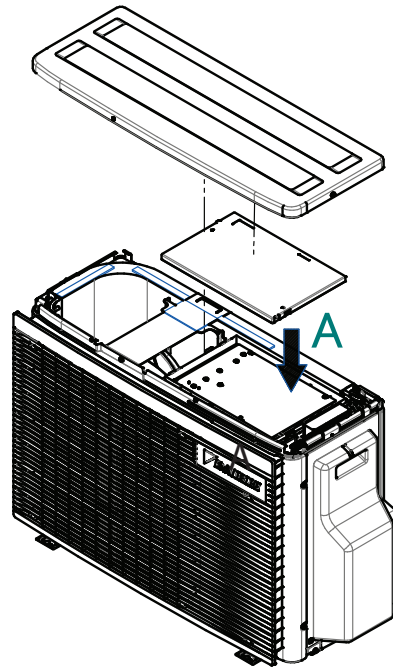
1. Operating conditions: power source 220-240 V/220 V 50/60 Hz; JIS standard
2. Background noise already taken into account.
3. Operating noise varies depending on operation and ambient conditions.
4. The operation noise measuring method is in accordance with JISC9612.
5. Measuring location: anechoic chamber

3D106223B

11 Installation

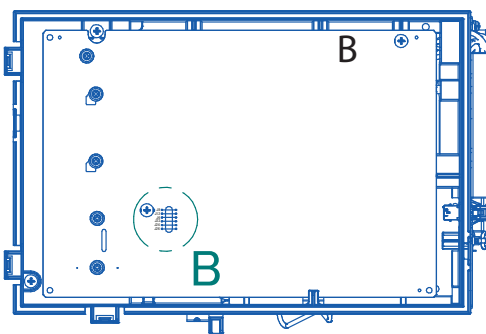
11 - 1 Installation Method

2MXM40-50A

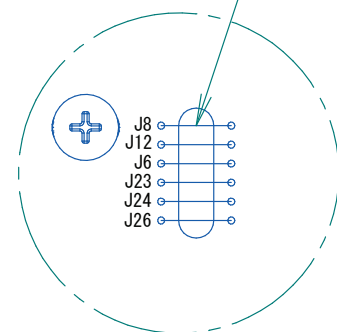


Disassembly of unit

Cut jumper J8 with pliers
 (Cut parts shall not touch each other)
 (Do not damage other jumpers)



Arrow view A
 El. Compo. Assy



Detail B

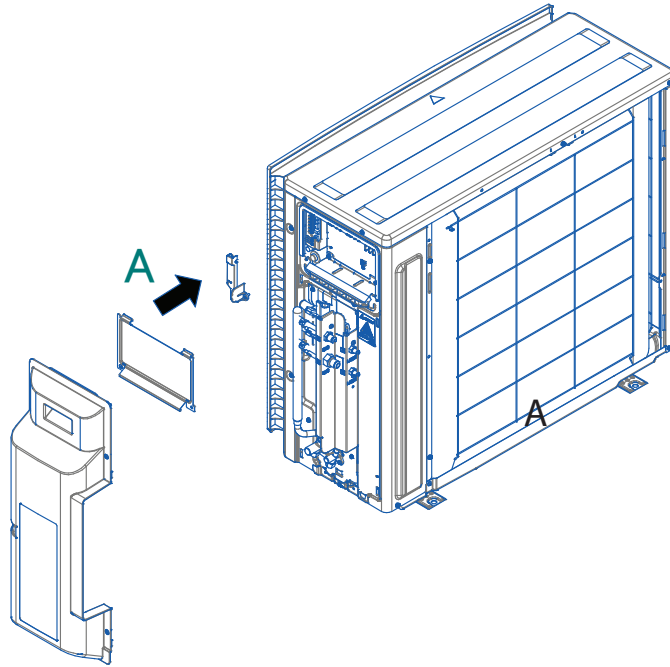
4D139688

11 Installation

11 - 1 Installation Method

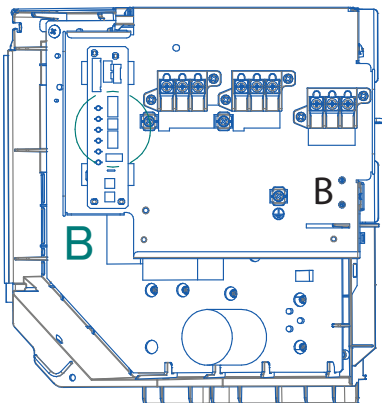
11

2MXM68A

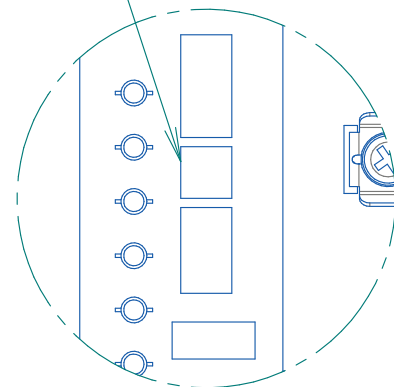


Disassembly of unit

Switch SW6-2 to "on" position



Arrow view A
El. Compo. Assy



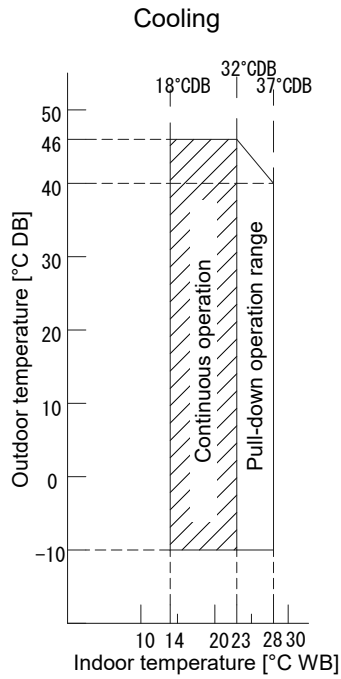
Detail B

4D139893

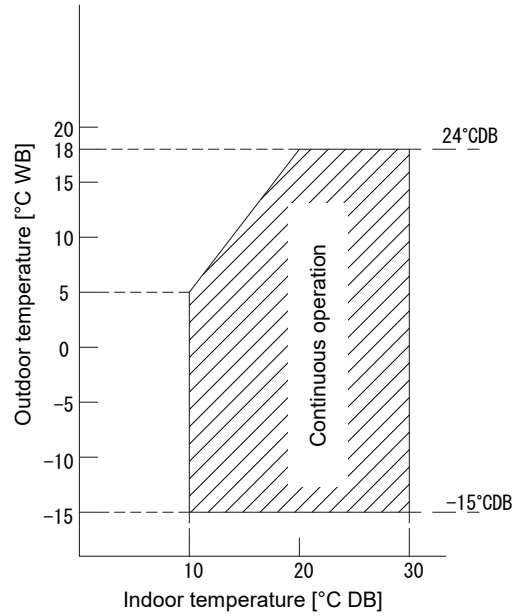
12 Operation range

12 - 1 Operation Range

2MXM-A
3MXM-A
4MXM-A
5MXM-A



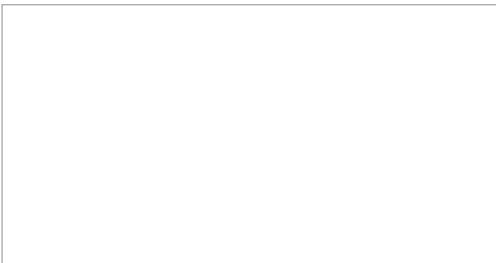
Heating



Notes

- 1. The graph is based on the following conditions.
 Corresponding refrigerant piping length: 5 m
 Level difference: 0 m
 Air flow rate High

3D101376D



Daikin Europe N.V. participates in the ECP programmes for Fan Coil Units and Variable Refrigerant Flow systems, Daikin Applied Europe S.p.A. participates in the ECP programmes for Liquid Chilling Packages and Hydronic Heat Pumps. Check ongoing validity of certificate: www.eurovent-certification.com

EEDEN22

04/2022



The present publication is drawn up by way of information only and does not constitute an offer binding upon Daikin Europe N.V. / Daikin Central Europe HandelsGmbH. Daikin Europe N.V. / Daikin Central Europe HandelsGmbH have compiled the content of this publication to the best of their knowledge. No express or implied warranty is given for the completeness, accuracy, reliability or fitness for particular purpose of its content and the products and services presented therein. Specifications are subject to change without prior notice. Daikin Europe N.V. / Daikin Central Europe HandelsGmbH explicitly rejects any liability for any direct or indirect damage, in the broadest sense, arising from or related to the use and/or interpretation of this publication. All content is copyrighted by Daikin Europe N.V.