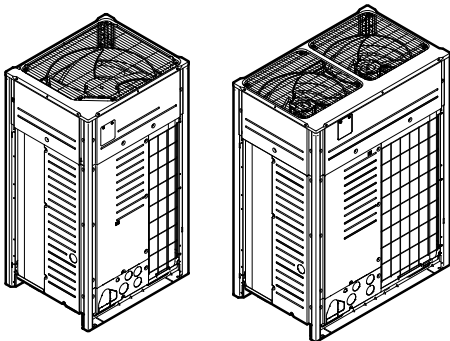




Installation and operation manual

VRV IV Q+ series heat pump



VRV IV Q⁺ series

RXYQQ8U7Y1B*
RXYQQ10U7Y1B*
RXYQQ12U7Y1B*
RXYQQ14U7Y1B*
RXYQQ16U7Y1B*
RXYQQ18U7Y1B*
RXYQQ20U7Y1B*

Installation and operation manual
VRV IV Q+ series heat pump

English

Table of contents

Table of contents

1	About the documentation	5
1.1	About this document.....	5
2	Specific installer safety instructions	5
For the user 7		
3	User safety instructions	7
3.1	General.....	7
3.2	Instructions for safe operation.....	7
4	About the system	9
4.1	System layout.....	9
5	User interface	9
6	Operation	9
6.1	Operation range.....	9
6.2	Operating the system.....	9
6.2.1	About operating the system.....	9
6.2.2	About cooling, heating, fan only, and automatic operation.....	9
6.2.3	About the heating operation.....	9
6.2.4	To operate the system (WITHOUT cool/heat changeover remote control switch).....	10
6.2.5	To operate the system (WITH cool/heat changeover remote control switch).....	10
6.3	Using the dry program.....	10
6.3.1	About the dry program.....	10
6.3.2	To use the dry program (WITHOUT cool/heat changeover remote control switch).....	10
6.3.3	To use the dry program (WITH cool/heat changeover remote control switch).....	10
6.4	Adjusting the air flow direction.....	11
6.4.1	About the air flow flap.....	11
6.5	Setting the master user interface.....	11
6.5.1	About setting the master user interface.....	11
7	Maintenance and service	11
7.1	About the refrigerant.....	11
7.2	After-sales service and warranty.....	12
7.2.1	Warranty period.....	12
7.2.2	Recommended maintenance and inspection.....	12
8	Troubleshooting	12
8.1	Error codes: Overview.....	13
8.2	Symptoms that are NOT system malfunctions.....	13
8.2.1	Symptom: The system does not operate.....	13
8.2.2	Symptom: Cool/Heat cannot be changed over.....	14
8.2.3	Symptom: Fan operation is possible, but cooling and heating do not work.....	14
8.2.4	Symptom: The fan speed does not correspond to the setting.....	14
8.2.5	Symptom: The fan direction does not correspond to the setting.....	14
8.2.6	Symptom: White mist comes out of a unit (Indoor unit).....	14
8.2.7	Symptom: White mist comes out of a unit (Indoor unit, outdoor unit).....	14
8.2.8	Symptom: The user interface reads "U4" or "U5" and stops, but then restarts after a few minutes.....	14
8.2.9	Symptom: Noise of air conditioners (Indoor unit).....	14
8.2.10	Symptom: Noise of air conditioners (Indoor unit, outdoor unit).....	14
8.2.11	Symptom: Noise of air conditioners (Outdoor unit).....	14
8.2.12	Symptom: Dust comes out of the unit.....	14
8.2.13	Symptom: The units can give off odours.....	14
8.2.14	Symptom: The outdoor unit fan does not spin.....	14


8.2.15	Symptom: The display shows "88".....	14
8.2.16	Symptom: The compressor in the outdoor unit does not stop after a short heating operation.....	14
8.2.17	Symptom: The inside of an outdoor unit is warm even when the unit has stopped.....	14
8.2.18	Symptom: Hot air can be felt when the indoor unit is stopped.....	15

9 Relocation **15**

10 Disposal **15**

For the installer **15**

11 About the box **15**

11.1	About 	15
11.2	To remove the accessories from the outdoor unit.....	15
11.3	Accessory pipes: Diameters.....	15
11.4	To remove the transportation stay.....	15

12 About the units and options **16**

12.1	About the outdoor unit.....	16
12.2	System layout.....	16

13 Unit installation **16**

13.1	Preparing the installation site.....	16
13.1.1	Installation site requirements of the outdoor unit.....	16
13.1.2	Additional installation site requirements of the outdoor unit in cold climates.....	16
13.2	Opening the unit.....	16
13.2.1	To open the outdoor unit.....	16
13.2.2	To open the electrical component box of the outdoor unit.....	17
13.3	Mounting the outdoor unit.....	17
13.3.1	To provide the installation structure.....	17

14 Piping installation **18**

14.1	Preparing refrigerant piping.....	18
14.1.1	Refrigerant piping requirements.....	18
14.1.2	To select the piping size.....	18
14.1.3	To select refrigerant branch kits.....	19
14.1.4	Multiple outdoor units: Possible layouts.....	20
14.2	Connecting the refrigerant piping.....	20
14.2.1	To route the refrigerant piping.....	20
14.2.2	To connect the refrigerant piping to the outdoor unit.....	21
14.2.3	To connect the multi connection piping kit.....	21
14.2.4	To connect the refrigerant branching kit.....	21
14.2.5	To protect against contamination.....	21
14.2.6	Using the stop valve and service port.....	21
14.2.7	To remove the spun pipes.....	22
14.3	Checking the refrigerant piping.....	23
14.3.1	About checking the refrigerant piping.....	23
14.3.2	Checking refrigerant piping: General guidelines.....	23
14.3.3	Checking refrigerant piping: Setup.....	23
14.3.4	To perform a leak test.....	24
14.3.5	To perform vacuum drying.....	24
14.3.6	To insulate the refrigerant piping.....	24
14.4	Charging refrigerant.....	24
14.4.1	Precautions when charging refrigerant.....	24
14.4.2	About charging refrigerant.....	25
14.4.3	To determine the additional refrigerant amount.....	25
14.4.4	To charge refrigerant: Flow chart.....	27
14.4.5	To charge refrigerant.....	28
14.4.6	Step 6a: To automatically charge refrigerant.....	29
14.4.7	Step 6b: To manually charge refrigerant.....	29
14.4.8	Error codes when charging refrigerant.....	30
14.4.9	Checks after charging refrigerant.....	30
14.4.10	To fix the fluorinated greenhouse gases label.....	30

15 Electrical installation **30**

15.1	About electrical compliance.....	30
15.2	Safety device requirements.....	31
15.3	Field wiring: Overview.....	31
15.4	To route and fix the transmission wiring.....	31
15.5	To connect the transmission wiring.....	32
15.6	To finish the transmission wiring.....	32
15.7	To route and fix the power supply.....	33
15.8	To connect the power supply.....	33
15.9	To check the insulation resistance of the compressor.....	33
16	Configuration	33
16.1	Making field settings.....	34
16.1.1	About making field settings.....	34
16.1.2	Field setting components.....	34
16.1.3	To access the field setting components.....	34
16.1.4	To access mode 1 or 2.....	35
16.1.5	To use mode 1.....	35
16.1.6	To use mode 2.....	35
16.1.7	Mode 1: Monitoring settings.....	35
16.1.8	Mode 2: Field settings.....	36
16.1.9	To connect the PC configurator to the outdoor unit....	36
17	Commissioning	37
17.1	Precautions when commissioning.....	37
17.2	Checklist before commissioning.....	37
17.3	About the test run.....	37
17.4	To perform a test run.....	38
17.5	Correcting after abnormal completion of the test run.....	38
18	Hand-over to the user	38
19	Troubleshooting	38
19.1	Solving problems based on error codes.....	38
19.2	Error codes: Overview.....	38
20	Technical data	42
20.1	Service space: Outdoor unit.....	42
20.2	Piping diagram: Outdoor unit.....	43
20.3	Wiring diagram: Outdoor unit.....	43
21	Disposal	45

1 About the documentation

1.1 About this document

Target audience

Authorised installers + end users



INFORMATION

This appliance is intended to be used by expert or trained users in shops, in light industry and on farms, or for commercial use by lay persons.

Documentation set

This document is part of a documentation set. The complete set consists of:

- **General safety precautions:**
 - Safety instructions that you must read before installing
 - Format: Paper (in the box of the outdoor unit)
- **Outdoor unit installation and operation manual:**
 - Installation and operation instructions
 - Format: Paper (in the box of the outdoor unit)

▪ Installer and user reference guide:

- Preparation of the installation, reference data,...
- Detailed step-by-step instructions and background information for basic and advanced usage
- Format: Digital files on <http://www.daikineurope.com/support-and-manuals/product-information/>

Latest revisions of the supplied documentation may be available on the regional Daikin website or via your dealer.

The original documentation is written in English. All other languages are translations.

Technical engineering data

- A **subset** of the latest technical data is available on the regional Daikin website (publicly accessible).
- The **full set** of latest technical data is available on the Daikin Business Portal (authentication required).

Scope of the manual

This manual describes the procedures for handling, installing and connecting the VRV IV replacement heat pump outdoor units. This manual has been prepared to ensure adequate maintenance of the unit, and it will provide help in case problems occur.

2 Specific installer safety instructions

Always observe the following safety instructions and regulations.



WARNING

Tear apart and throw away plastic packaging bags so that nobody, especially children, can play with them. Possible risk: suffocation.



CAUTION

Appliance not accessible to the general public, install it in a secured area, protected from easy access.

This unit, both indoor and outdoor, is suitable for installation in a commercial and light industrial environment.



CAUTION

Excessive refrigerant concentrations in a closed room can lead to oxygen deficiency.



DANGER: RISK OF ELECTROCUTION

Do NOT leave the unit unattended when the service cover is removed.



DANGER: RISK OF BURNING/SCALDING



DANGER: RISK OF ELECTROCUTION



WARNING

Take sufficient precautions in case of refrigerant leakage. If refrigerant gas leaks, ventilate the area immediately. Possible risks:

- Excessive refrigerant concentrations in a closed room can lead to oxygen deficiency.
- Toxic gas might be produced if refrigerant gas comes into contact with fire.

2 Specific installer safety instructions

WARNING

ALWAYS recover the refrigerant. Do NOT release them directly into the environment. Use a vacuum pump to evacuate the installation.

WARNING

During tests, NEVER pressurize the product with a pressure higher than the maximum allowable pressure (as indicated on the nameplate of the unit).

CAUTION

Do not vent gases into the atmosphere.

WARNING

Any gas or oil remaining inside the stop valve may blow off the spun piping.

If these instructions are NOT followed correctly it may result in property damage or personal injury, which may be serious depending on the circumstances.

WARNING



NEVER remove the spun piping by brazing.

Any gas or oil remaining inside the stop valve may blow off the spun piping.

WARNING

- ONLY use R410A as refrigerant. Other substances may cause explosions and accidents.
- R410A contains fluorinated greenhouse gases. Its global warming potential (GWP) value is 2087.5. Do NOT vent these gases into the atmosphere.
- When charging refrigerant, ALWAYS use protective gloves and safety glasses.

CAUTION

Do NOT push or place redundant cable length in the unit.

WARNING

- If the power supply has a missing or wrong N-phase, equipment might break down.
- Establish proper earthing. Do NOT earth the unit to a utility pipe, surge absorber, or telephone earth. Incomplete earthing may cause electrical shock.
- Install the required fuses or circuit breakers.
- Secure the electrical wiring with cable ties so that the cables do NOT come in contact with sharp edges or piping, particularly on the high-pressure side.
- Do NOT use taped wires, stranded conductor wires, extension cords, or connections from a star system. They can cause overheating, electrical shock or fire.
- Do NOT install a phase advancing capacitor, because this unit is equipped with an inverter. A phase advancing capacitor will reduce performance and may cause accidents.

WARNING

- All wiring MUST be performed by an authorised electrician and MUST comply with the applicable legislation.
- Make electrical connections to the fixed wiring.
- All components procured on-site and all electrical construction MUST comply with the applicable legislation.

WARNING

For the existing power supply and transmission wiring, check that the specifications match the requirements described in this chapter and that other parts (especially terminals) do not appear to have deteriorated. Take the appropriate steps (e.g. replacement) if necessary.

WARNING

ALWAYS use multicore cable for power supply cables.

CAUTION

- When connecting the power supply: connect the earth cable first, before making the current-carrying connections.
- When disconnecting the power supply: disconnect the current-carrying cables first, before separating the earth connection.
- The length of the conductors between the power supply stress relief and the terminal block itself must be as such that the current-carrying wires are tautened before the earth wire is in case the power supply is pulled loose from the stress relief.

CAUTION

Do NOT perform the test operation while working on the indoor units.

When performing the test operation, NOT only the outdoor unit, but the connected indoor unit will operate as well. Working on an indoor unit while performing a test operation is dangerous.

CAUTION

Do NOT insert fingers, rods or other objects into the air inlet or outlet. Do NOT remove the fan guard. When the fan is rotating at high speed, it will cause injury.

For the user

3 User safety instructions

Always observe the following safety instructions and regulations.

3.1 General

WARNING

If you are NOT sure how to operate the unit, contact your installer.

WARNING

Children aged from 8 years and above and persons with reduced physical, sensory or mental capabilities or lack of experience and knowledge can only use this appliance if they have been given supervision or instruction concerning the use of the appliance by a person responsible for their safety.

Children MUST NOT play with the appliance.

Cleaning and user maintenance MUST NOT be carried out by children without supervision.

WARNING

To prevent electrical shocks or fire:

- Do NOT rinse the unit.
- Do NOT operate the unit with wet hands.
- Do NOT place any objects containing water on the unit.

CAUTION

- Do NOT place any objects or equipment on top of the unit.
- Do NOT sit, climb or stand on the unit.

- Units are marked with the following symbol:



This means that electrical and electronic products may NOT be mixed with unsorted household waste. Do NOT try to dismantle the system yourself: the dismantling of the system, treatment of the refrigerant, of oil and of other parts must be done by an authorized installer and must comply with applicable legislation.

Units must be treated at a specialized treatment facility for reuse, recycling and recovery. By ensuring this product is disposed of correctly, you will help to prevent potential negative consequences for the environment and human health. For more information, contact your installer or local authority.

- Batteries are marked with the following symbol:



This means that the batteries may NOT be mixed with unsorted household waste. If a chemical symbol is printed beneath the symbol, this chemical symbol means that the battery contains a heavy metal above a certain concentration.

Possible chemical symbols are: Pb: lead (>0.004%).

Waste batteries must be treated at a specialized treatment facility for reuse. By ensuring waste batteries are disposed of correctly, you will help to prevent potential negative consequences for the environment and human health.

3.2 Instructions for safe operation

CAUTION

- NEVER touch the internal parts of the controller.
- Do NOT remove the front panel. Some parts inside are dangerous to touch and appliance problems may happen. For checking and adjusting the internal parts, contact your dealer.

CAUTION

Do NOT operate the system when using a room fumigation-type insecticide. Chemicals could collect in the unit, and endanger the health of people who are hypersensitive to chemicals.

CAUTION

It is unhealthy to expose your body to the air flow for a long time.

3 User safety instructions

CAUTION

To avoid oxygen deficiency, ventilate the room sufficiently if equipment with burner is used together with the system.

WARNING

This unit contains electrical and hot parts.

WARNING

Before operating the unit, be sure the installation has been carried out correctly by an installer.

WARNING

Never touch the air outlet or the horizontal blades while the swing flap is in operation. Fingers may become caught or the unit may break down.

CAUTION

Do NOT insert fingers, rods or other objects into the air inlet or outlet. Do NOT remove the fan guard. When the fan is rotating at high speed, it will cause injury.

CAUTION: Pay attention to the fan!

It is dangerous to inspect the unit while the fan is running.

Be sure to turn off the main switch before executing any maintenance task.

CAUTION

After a long use, check the unit stand and fitting for damage. If damaged, the unit may fall and result in injury.

WARNING

NEVER replace a fuse with a fuse of a wrong ampere ratings or other wires when a fuse blows out. Use of wire or copper wire may cause the unit to break down or cause a fire.

WARNING

- Do NOT modify, disassemble, remove, reinstall or repair the unit yourself as incorrect dismantling or installation may cause an electric shock or fire. Contact your dealer.
- In case of accidental refrigerant leaks, make sure there are no naked flames. The refrigerant itself is entirely safe, non-toxic and non-combustible, but it will generate toxic gas when it accidentally leaks into a room where combustible air from fan heaters, gas cookers, etc. is present. Always have qualified service personnel confirm that the point of leakage has been repaired or corrected before resuming operation.

WARNING

Stop operation and shut off the power if anything unusual occurs (burning smells etc.).

Leaving the unit running under such circumstances may cause breakage, electric shock or fire. Contact your dealer.

WARNING

The refrigerant in the system is safe and normally does not leak. If the refrigerant leaks in the room, contact with a fire of a burner, a heater or a cooker may result in a harmful gas.

Turn off any combustible heating devices, ventilate the room and contact the dealer where you purchased the unit.

Do not use the system until a service person confirms that the portion where the refrigerant leaks is repaired.

CAUTION

NEVER expose little children, plants or animals directly to the airflow.

CAUTION

Do NOT touch the heat exchanger fins. These fins are sharp and could result in cutting injuries.

4 About the system

The indoor unit part of VRV IV replacement heat pump system can be used for heating/cooling applications. The type of indoor unit which can be used depends on the outdoor units series.



NOTICE

Do NOT use the system for other purposes. In order to avoid any quality deterioration, do NOT use the unit for cooling precision instruments, food, plants, animals, or works of art.

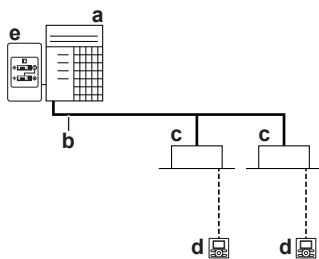


NOTICE

For future modifications or expansions of your system:

A full overview of allowable combinations (for future system extensions) is available in technical engineering data and should be consulted. Contact your installer to receive more information and professional advice.

4.1 System layout



- a VRV IV replacement heat pump outdoor unit
- b Refrigerant piping
- c VRV direct expansion (DX) indoor unit
- d User interface (dedicated depending on indoor unit type)
- e Cool/Heat changeover remote control switch

5 User interface



CAUTION

- NEVER touch the internal parts of the controller.
- Do NOT remove the front panel. Some parts inside are dangerous to touch and appliance problems may happen. For checking and adjusting the internal parts, contact your dealer.

This operation manual offers a non-exhaustive overview of the main functions of the system.

Detailed information on required actions to achieve certain functions can be found in the dedicated installation and operation manual of the indoor unit.

Refer to the operation manual of the installed user interface.

6 Operation

6.1 Operation range

Use the system in the following temperature and humidity ranges for safe and effective operation.

	Cooling	Heating
Outdoor temperature	-5~43°C DB	-20~21°C DB -20~15.5°C WB
Indoor temperature	21~32°C DB 14~25°C WB	15~27°C DB

	Cooling	Heating
Indoor humidity	≤80% ^(a)	

^(a) To avoid condensation and water dripping out of the unit. If the temperature or the humidity is beyond these conditions, safety devices may be put in action and the air conditioner may not operate.

Above operation range is only valid in case direct expansion indoor units are connected to the VRV IV system.

6.2 Operating the system

6.2.1 About operating the system

- Operation procedure varies according to the combination of outdoor unit and user interface.
- To protect the unit, turn on the main power switch 6 hours before operation.
- If the main power supply is turned off during operation, operation will restart automatically after the power turns back on again.

6.2.2 About cooling, heating, fan only, and automatic operation

- Changeover cannot be made with a user interface whose display shows "change-over under centralised control" (refer to installation and operation manual of the user interface).
- When the display "change-over under centralised control" flashes, refer to "About setting the master user interface" [p 11].
- The fan may keep on running for about 1 minute after the heating operation stops.
- The air flow rate may adjust itself depending on the room temperature or the fan may stop immediately. This is not a malfunction.

6.2.3 About the heating operation

It may take longer to reach the set temperature for general heating operation than for cooling operation.

The following operation is performed in order to prevent the heating capacity from dropping or cold air from blowing.

Defrost operation

In heating operation, freezing of the outdoor unit's air cooled coil increases over time, restricting the energy transfer to the outdoor unit's coil. Heating capability decreases and the system needs to go into defrost operation to be able to remove frost from the outdoor unit's coil. During defrost operation the heating capacity on the indoor unit side will temporarily drop until defrosting is completed. After defrosting, the unit will regain its full heating capacity.

If	Then
RXYQQ outdoor unit is installed	The indoor unit will stop fan operation, the refrigerant cycle will reverse and energy from inside the building will be used to defrost the outdoor unit coil.

The indoor unit will indicate defrost operation on the display .




Hot start

In order to prevent cold air from blowing out of an indoor unit at the start of heating operation, the indoor fan is automatically stopped. The display of the user interface shows . It may take some time before the fan starts. This is not a malfunction.

6 Operation

6.2.4 To operate the system (WITHOUT cool/heat changeover remote control switch)

- 1 Press the operation mode selector button on the user interface several times and select the operation mode of your choice.

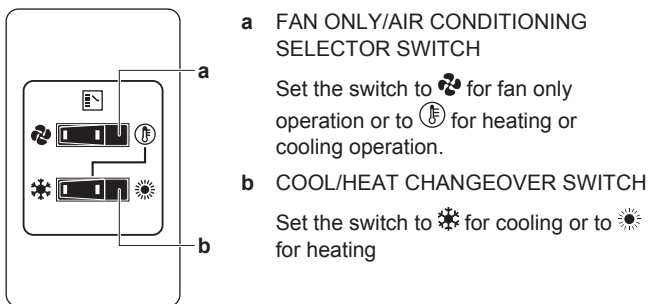
-  Cooling operation
-  Heating operation
-  Fan only operation

- 2 Press the ON/OFF button on the user interface.

Result: The operation lamp lights up and the system starts operating.

6.2.5 To operate the system (WITH cool/heat changeover remote control switch)

Overview of the changeover remote control switch



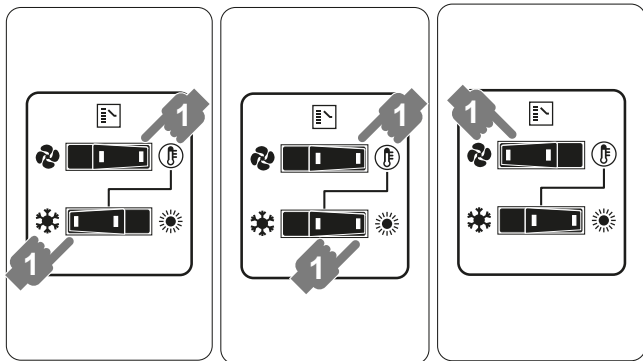
Note: In case a cool/heat changeover remote control switch is used, the position of DIP switch 1 (DS1-1) on the main PCB needs to be switched to the ON position.

To start

- 1 Select operation mode with the cool/heat changeover switch as follows:

Cooling operation Heating operation Fan only operation



- 2 Press the ON/OFF button on the user interface.

Result: The operation lamp lights up and the system starts operating.

To stop

- 3 Press the ON/OFF button on the user interface once again.

Result: The operation lamp goes out and the system stops operating.

NOTICE

Do not turn off power immediately after the unit stops, but wait for at least 5 minutes.

To adjust

For programming temperature, fan speed and air flow direction refer to the operation manual of the user interface.


6.3 Using the dry program

6.3.1 About the dry program

- The function of this program is to decrease the humidity in your room with minimal temperature decrease (minimal room cooling).
- The micro computer automatically determines temperature and fan speed (cannot be set by the user interface).
- The system does not go into operation if the room temperature is low (<20°C).

6.3.2 To use the dry program (WITHOUT cool/heat changeover remote control switch)

To start

- 1 Press the operation mode selector button on the user interface several times and select  (program dry operation).
- 2 Press the ON/OFF button of the user interface.

Result: The operation lamp lights up and the system starts operating.

- 3 Press the air flow direction adjust button (only for double-flow, multi-flow, corner, ceiling-suspended and wall-mounted). Refer to "6.4 Adjusting the air flow direction" [p 11] for details.

To stop

- 4 Press the ON/OFF button on the user interface once again.

Result: The operation lamp goes out and the system stops operating.

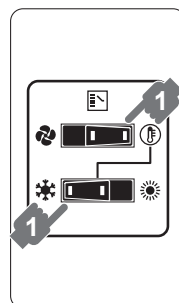
NOTICE


Do not turn off power immediately after the unit stops, but wait for at least 5 minutes.

6.3.3 To use the dry program (WITH cool/heat changeover remote control switch)

To start

- 1 Select cooling operation mode with the cool/heat changeover remote control switch.



- 2 Press the operation mode selector button on the user interface several times and select  (program dry operation).

- 3 Press the ON/OFF button of the user interface.

Result: The operation lamp lights up and the system starts operating.

- 4 Press the air flow direction adjust button (only for double-flow, multi-flow, corner, ceiling-suspended and wall-mounted). Refer to "6.4 Adjusting the air flow direction" [p 11] for details.

To stop

- 5 Press the ON/OFF button on the user interface once again.

Result: The operation lamp goes out and the system stops operating.



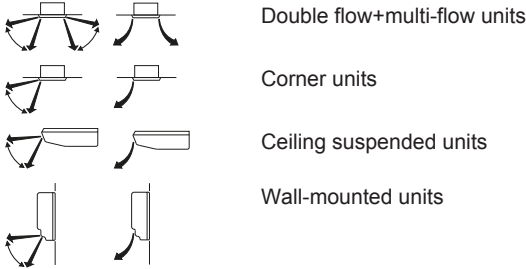
NOTICE

Do not turn off power immediately after the unit stops, but wait for at least 5 minutes.

6.4 Adjusting the air flow direction

Refer to the operation manual of the user interface.

6.4.1 About the air flow flap



For the following conditions, a micro computer controls the air flow direction which may be different from the display.

Cooling	Heating
<ul style="list-style-type: none"> When the room temperature is lower than the set temperature. 	<ul style="list-style-type: none"> When starting operation. When the room temperature is higher than the set temperature. At defrost operation.
<ul style="list-style-type: none"> When operating continuously at horizontal air flow direction. When continuous operation with downward air flow is performed at the time of cooling with a ceiling-suspended or a wall-mounted unit, the micro computer may control the flow direction, and then the user interface indication will also change. 	

The air flow direction can be adjusted in one of the following ways:

- The air flow flap itself adjusts its position.
- The air flow direction can be fixed by the user.
- Automatic and desired position.



WARNING

Never touch the air outlet or the horizontal blades while the swing flap is in operation. Fingers may become caught or the unit may break down.

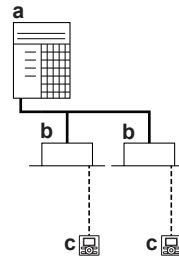


NOTICE

- The movable limit of the flap is changeable. Contact your dealer for details. (only for double-flow, multi-flow, corner, ceiling-suspended and wall-mounted).
- Avoid operating in the horizontal direction. It may cause dew or dust to settle on the ceiling or flap.

6.5 Setting the master user interface

6.5.1 About setting the master user interface



- a VRV replacement heat pump outdoor unit
- b VRV direct expansion (DX) indoor unit
- c User interface (dedicated depending on indoor unit type)

When the system is installed as shown in the figure above, it is necessary to designate one of the user interfaces as the master user interface.

The displays of slave user interfaces show (change-over under centralised control) and slave user interfaces automatically follow the operation mode directed by the master user interface.

Only the master user interface can select heating or cooling mode.

7 Maintenance and service



NOTICE

NEVER inspect or service the unit by yourself. Ask a qualified service person to perform this work.



WARNING

NEVER replace a fuse with a fuse of a wrong ampere ratings or other wires when a fuse blows out. Use of wire or copper wire may cause the unit to break down or cause a fire.



CAUTION

Do NOT insert fingers, rods or other objects into the air inlet or outlet. Do NOT remove the fan guard. When the fan is rotating at high speed, it will cause injury.



CAUTION

After a long use, check the unit stand and fitting for damage. If damaged, the unit may fall and result in injury.



NOTICE

Do NOT wipe the controller operation panel with benzine, thinner, chemical dust cloth, etc. The panel may get discoloured or the coating peeled off. If it is heavily dirty, soak a cloth in water-diluted neutral detergent, squeeze it well and wipe the panel clean. Wipe it with another dry cloth.

7.1 About the refrigerant

This product contains fluorinated greenhouse gases. Do NOT vent gases into the atmosphere.

Refrigerant type: R410A

Global warming potential (GWP) value: 2087.5

8 Troubleshooting



NOTICE

Applicable legislation on **fluorinated greenhouse gases** requires that the refrigerant charge of the unit is indicated both in weight and CO₂ equivalent.

Formula to calculate the quantity in CO₂ equivalent tonnes: GWP value of the refrigerant × total refrigerant charge [in kg] / 1000

Please contact your installer for more information.



WARNING

The refrigerant in the system is safe and normally does not leak. If the refrigerant leaks in the room, contact with a fire of a burner, a heater or a cooker may result in a harmful gas.

Turn off any combustible heating devices, ventilate the room and contact the dealer where you purchased the unit.

Do not use the system until a service person confirms that the portion where the refrigerant leaks is repaired.

7.2 After-sales service and warranty

7.2.1 Warranty period

- This product includes a warranty card that was filled in by the dealer at the time of installation. The completed card has to be checked by the customer and stored carefully.
- If repairs to the product are necessary within the warranty period, contact your dealer and keep the warranty card at hand.

7.2.2 Recommended maintenance and inspection

Since dust collects when using the unit for several years, performance of the unit will deteriorate to some extent. As taking apart and cleaning interiors of units requires technical expertise and in order to ensure the best possible maintenance of your units, we recommend to enter into a maintenance and inspection contract on top of normal maintenance activities. Our network of dealers has access to a permanent stock of essential components in order to keep your unit in operation as long as possible. Contact your dealer for more information.

When asking your dealer for an intervention, always state:

- The complete model name of the unit.
- The manufacturing number (stated on the nameplate of the unit).
- The installation date.
- The symptoms or malfunction, and details of the defect.



WARNING

- Do NOT modify, disassemble, remove, reinstall or repair the unit yourself as incorrect dismantling or installation may cause an electric shock or fire. Contact your dealer.
- In case of accidental refrigerant leaks, make sure there are no naked flames. The refrigerant itself is entirely safe, non-toxic and non-combustible, but it will generate toxic gas when it accidentally leaks into a room where combustible air from fan heaters, gas cookers, etc. is present. Always have qualified service personnel confirm that the point of leakage has been repaired or corrected before resuming operation.

8 Troubleshooting

If one of the following malfunctions occur, take the measures shown below and contact your dealer.



WARNING


Stop operation and shut off the power if anything unusual occurs (burning smells etc.).

Leaving the unit running under such circumstances may cause breakage, electric shock or fire. Contact your dealer.

The system MUST be repaired by a qualified service person.

Malfunction	Measure
If a safety device such as a fuse, a breaker or an earth leakage breaker frequently actuates or the ON/OFF switch does NOT properly work.	Turn OFF the main power switch.
If water leaks from the unit.	Stop the operation.
The operation switch does NOT work well.	Turn OFF the power supply.
If the user interface display indicates the unit number, the operation lamp flashes and the malfunction code appears.	Notify your installer and report the malfunction code.

If the system does NOT operate properly except for the above mentioned cases and none of the above mentioned malfunctions is evident, investigate the system in accordance with the following procedures.

Malfunction	Measure
If the system does not operate at all.	<ul style="list-style-type: none"> • Check if there is no power failure. Wait until power is restored. If power failure occurs during operation, the system automatically restarts immediately after power is restored. • Check if no fuse has blown or breaker is activated. Change the fuse or reset the breaker if necessary.
If the system goes into fan only operation, but as soon as it goes into heating or cooling operation, the system stops.	<ul style="list-style-type: none"> • Check if air inlet or outlet of outdoor or indoor unit is not blocked by obstacles. Remove any obstacles and make sure the air can flow freely. • Check if the user interface display shows  (time to clean the air filter). (Refer to "7 Maintenance and service" [▶ 11] and "Maintenance" in the indoor unit manual.)
The system operates but cooling or heating is insufficient.	<ul style="list-style-type: none"> • Check if air inlet or outlet of outdoor or indoor unit is not blocked by obstacles. Remove any obstacles and make sure the air can flow freely. • Check if the air filter is not clogged (refer to "Maintenance" in the indoor unit manual). • Check the temperature setting. • Check the fan speed setting on your user interface. • Check for open doors or windows. Close doors and windows to prevent wind from coming in. • Check if there are too many occupants in the room during cooling operation. Check if the heat source of the room is excessive. • Check if direct sunlight enters the room. Use curtains or blinds. • Check if the air flow angle is proper.

If after checking all above items, it is impossible to fix the problem yourself, contact your installer and state the symptoms, the complete model name of the unit (with manufacturing number if possible) and the installation date (possibly listed on the warranty card).

8.1 Error codes: Overview

In case a malfunction code appears on the indoor unit user interface display, contact your installer and inform the malfunction code, the unit type, and serial number (you can find this information on the nameplate of the unit).

For your reference, a list with malfunction codes is provided. You can, depending on the level of the malfunction code, reset the code by pushing the ON/OFF button. If not, ask your installer for advice.

Main code	Contents
R0	External protection device was activated
R1	EEPROM failure (indoor)
R3	Drain system malfunction (indoor)
R5	Fan motor malfunction (indoor)
R7	Swing flap motor malfunction (indoor)
R9	Expansion valve malfunction (indoor)
RF	Drain malfunction (indoor unit)
RH	Filter dust chamber malfunction (indoor)
RJ	Capacity setting malfunction (indoor)
C1	Transmission malfunction between main PCB and sub PCB (indoor)
C4	Heat exchanger thermistor malfunction (indoor; liquid)
C5	Heat exchanger thermistor malfunction (indoor; gas)
C9	Suction air thermistor malfunction (indoor)
CR	Discharge air thermistor malfunction (indoor)
CE	Movement detector or floor temperature sensor malfunction (indoor)
CJ	User interface thermistor malfunction (indoor)
E1	PCB malfunction (outdoor)
E2	Current leakage detector was activated (outdoor)
E3	High pressure switch was activated
E4	Low pressure malfunction (outdoor)
E5	Compressor lock detection (outdoor)
E7	Fan motor malfunction (outdoor)
E9	Electronic expansion valve malfunction (outdoor)
F3	Discharge temperature malfunction (outdoor)
F4	Abnormal suction temperature (outdoor)
F5	Refrigerant overcharge detection
H3	High pressure switch malfunction
H4	Low pressure switch malfunction
H7	Fan motor trouble (outdoor)
H9	Ambient temperature sensor malfunction (outdoor)
J1	Pressure sensor malfunction
J2	Current sensor malfunction
J3	Discharge temperature sensor malfunction (outdoor)
J4	Heat exchanger gas temperature sensor malfunction (outdoor)
J5	Suction temperature sensor malfunction (outdoor)
J5	De-icing temperature sensor malfunction (outdoor)
J7	Liquid temperature sensor (after subcool HE) malfunction (outdoor)
J8	Liquid temperature sensor (coil) malfunction (outdoor)
J9	Gas temperature sensor (after subcool HE) malfunction (outdoor)

Main code	Contents
JR	High pressure sensor malfunction (S1NPH)
JL	Low pressure sensor malfunction (S1NPL)
L1	INV PCB abnormal
L4	Fin temperature abnormal
L5	Inverter PCB faulty
LB	Compressor over current detected
L9	Compressor lock (startup)
LC	Transmission outdoor unit - inverter: INV transmission trouble
P1	INV unbalanced power supply voltage
P2	Autocharge operation related
P4	Fin thermistor malfunction
P8	Autocharge operation related
P9	Autocharge operation related
PE	Autocharge operation related
PJ	Capacity setting malfunction (outdoor)
U0	Abnormal low pressure drop, faulty expansion valve
U1	Reversed power supply phase malfunction
U2	INV voltage power shortage
U3	System test run not yet executed
U4	Faulty wiring indoor/outdoor
U5	Abnormal user interface - indoor communication
U7	Faulty wiring to outdoor/outdoor
U8	Abnormal main-sub user interface communication
U9	System mismatch. Wrong type of indoor units combined. Indoor unit malfunction.
UR	Connection malfunction over indoor units or type mismatch
UC	Centralised address duplication
UE	Malfunction in communication centralised control device - indoor unit
UF	Auto address malfunction (inconsistency)
UH	Auto address malfunction (inconsistency)

8.2 Symptoms that are NOT system malfunctions



The following symptoms are NOT system malfunctions:

8.2.1 Symptom: The system does not operate

- The air conditioner does not start immediately after the ON/OFF button on the user interface is pressed. If the operation lamp lights, the system is in normal condition. To prevent overloading of the compressor motor, the air conditioner starts 5 minutes after it is turned ON again in case it was turned OFF just before. The same starting delay occurs after the operation mode selector button was used.
- If "Under Centralized Control" is displayed on the user interface, pressing the operation button causes the display to blink for a few seconds. The blinking display indicates that the user interface cannot be used.
- The system does not start immediately after the power supply is turned on. Wait one minute until the micro computer is prepared for operation.

8 Troubleshooting

8.2.2 Symptom: Cool/Heat cannot be changed over

- When the display shows  (change-over under centralized control), it shows that this is a slave user interface.
- When the cool/heat changeover remote control switch is installed and the display shows  (change-over under centralized control), this is because cool/heat changeover is controlled by the cool/ heat changeover remote control switch. Ask your dealer where the remote control switch is installed.

8.2.3 Symptom: Fan operation is possible, but cooling and heating do not work

Immediately after the power is turned on. The micro computer is getting ready to operate and is performing a communication check with all indoor units. Please wait 12 minutes maximally until this process is finished.

8.2.4 Symptom: The fan speed does not correspond to the setting

The fan speed does not change even if the fan speed adjustment button is pressed. During heating operation, when the room temperature reaches the set temperature, the outdoor unit goes off and the indoor unit changes to whisper fan speed. This is to prevent cold air blowing directly on occupants of the room. The fan speed will not change even when another indoor unit is in heating operation, if the button is pressed.

8.2.5 Symptom: The fan direction does not correspond to the setting

The fan direction does not correspond with the user interface display. The fan direction does not swing. This is because the unit is being controlled by the micro computer.

8.2.6 Symptom: White mist comes out of a unit (Indoor unit)

- When humidity is high during cooling operation. If the interior of an indoor unit is extremely contaminated, the temperature distribution inside a room becomes uneven. It is necessary to clean the interior of the indoor unit. Ask your dealer for details on cleaning the unit. This operation requires a qualified service person.
- Immediately after the cooling operation stops and if the room temperature and humidity are low. This is because warm refrigerant gas flows back into the indoor unit and generates steam.

8.2.7 Symptom: White mist comes out of a unit (Indoor unit, outdoor unit)

When the system is changed over to heating operation after defrost operation. Moisture generated by defrost becomes steam and is exhausted.

8.2.8 Symptom: The user interface reads "U4" or "U5" and stops, but then restarts after a few minutes

This is because the user interface is intercepting noise from electric appliances other than the air conditioner. The noise prevents communication between the units, causing them to stop. Operation automatically restarts when the noise ceases.

8.2.9 Symptom: Noise of air conditioners (Indoor unit)

- A "zeen" sound is heard immediately after the power supply is turned on. The electronic expansion valve inside an indoor unit starts working and makes the noise. Its volume will reduce in about one minute.
- A continuous low "shah" sound is heard when the system is in cooling operation or at a stop. When the drain pump (optional accessories) is in operation, this noise is heard.
- A "pishi-pishi" squeaking sound is heard when the system stops after heating operation. Expansion and contraction of plastic parts caused by temperature change make this noise.
- A low "sah", "choro-choro" sound is heard while the indoor unit is stopped. When another indoor unit is in operation, this noise is heard. In order to prevent oil and refrigerant from remaining in the system, a small amount of refrigerant is kept flowing.

8.2.10 Symptom: Noise of air conditioners (Indoor unit, outdoor unit)

- A continuous low hissing sound is heard when the system is in cooling or defrost operation. This is the sound of refrigerant gas flowing through both indoor and outdoor units.
- A hissing sound which is heard at the start or immediately after stopping operation or defrost operation. This is the noise of refrigerant caused by flow stop or flow change.

8.2.11 Symptom: Noise of air conditioners (Outdoor unit)

When the tone of operating noise changes. This noise is caused by the change of frequency.

8.2.12 Symptom: Dust comes out of the unit

When the unit is used for the first time in a long time. This is because dust has gotten into the unit.

8.2.13 Symptom: The units can give off odours

The unit can absorb the smell of rooms, furniture, cigarettes, etc., and then emit it again.

8.2.14 Symptom: The outdoor unit fan does not spin

During operation. The speed of the fan is controlled in order to optimise product operation.

8.2.15 Symptom: The display shows "88"

This is the case immediately after the main power supply switch is turned on and means that the user interface is in normal condition. This continues for 1 minute.

8.2.16 Symptom: The compressor in the outdoor unit does not stop after a short heating operation

This is to prevent refrigerant from remaining in the compressor. The unit will stop after 5 to 10 minutes.

8.2.17 Symptom: The inside of an outdoor unit is warm even when the unit has stopped

This is because the crankcase heater is warming the compressor so that the compressor can start smoothly.

8.2.18 Symptom: Hot air can be felt when the indoor unit is stopped

Several different indoor units are being run on the same system. When another unit is running, some refrigerant will still flow through the unit.

9 Relocation

Contact your dealer for removing and reinstalling the total unit. Moving units requires technical expertise.

10 Disposal

This unit uses hydrofluorocarbon. Contact your dealer when discarding this unit.



NOTICE

Do NOT try to dismantle the system yourself: dismantling of the system, treatment of the refrigerant, oil and other parts MUST comply with applicable legislation. Units MUST be treated at a specialised treatment facility for reuse, recycling and recovery.

For the installer

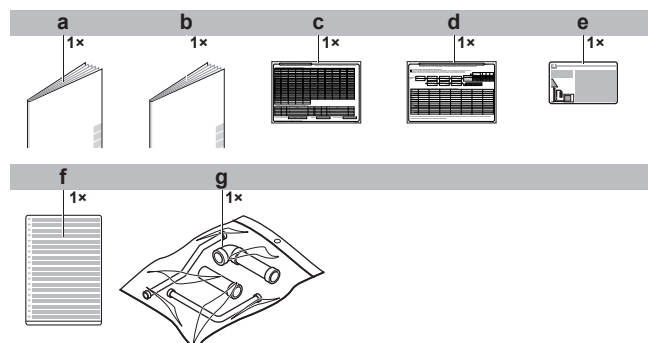
11 About the box

11.1 About **LOOP**

LOOP is part of Daikin's wider commitment to reduce our environmental footprint. With **LOOP** we want to create a circular economy for refrigerants. One of the actions to achieve this, is the reuse of reclaimed refrigerant in VRV units produced and sold in Europe. For more information about the countries that are in scope, visit: <http://www.daikin.eu/loop-by-daikin>.

11.2 To remove the accessories from the outdoor unit

Make sure that all accessories are available in the unit.



- a General safety precautions
- b Installation manual and operation manual
- c Additional refrigerant charge label
- d Installation information sticker
- e Fluorinated greenhouse gases label
- f Multilingual fluorinated greenhouse gases label
- g Piping accessory bag

11.3 Accessory pipes: Diameters

Accessory pipes (mm)	HP	Øa	Øb
Gas pipe	8	25.4	19.1
▪ Front connection	10		
	12	28.6	
	14		
	16		
	18		
	20		

Accessory pipes (mm)	HP	Øa	Øb
Liquid pipe	8	9.5	
▪ Front connection	10		
	12	9.5	12.7
	14	12.7	
	16	12.7	15.9
	18		
	20		

11.4 To remove the transportation stay

Only for 14~20 HP



NOTICE

If the unit is operated with the transportation stay attached, abnormal vibration or noise may be generated.

The transportation stay installed over the compressor leg for protecting the unit during transport must be removed. Proceed as shown in the figure and procedure below.

- 1 Slightly loosen the fixing nut (a).
- 2 Remove the transportation stay (b) as shown in the figure below.
- 3 Tighten the fixing nut (a) again.



12 About the units and options

12 About the units and options

12.1 About the outdoor unit

This installation manual concerns the VRV IV, full inverter driven, heat pump system for replacement purposes.

Depending on the situation, the existing refrigerant piping of a previous installation, or in some cases even indoor units, can be reused.

Model line up:

Model	Description
RXYQQ8~20	Single unit model.
RXYQQ22~42	Multi unit model (consisting of 2 or 3 RXYQQ* modules).

Depending on the type of outdoor unit which is chosen, some functionality will or will not exist. It will be indicated throughout this installation manual and brought to your attention. Certain features have exclusive model rights.

These units are intended for outdoor installation and aimed for heat pump applications including air to air.

These units have (in single use) heating capacities ranging from 25 to 63 kW and cooling capacities rating from 22.4 to 56 kW. In multi combination the heating capacity can go up till 132 kW and in cooling till 118 kW.

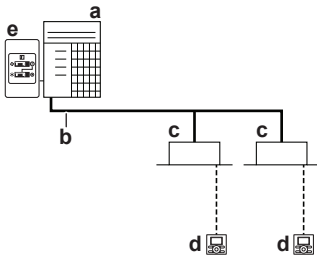
The outdoor unit is designed to work in heating mode at ambient temperatures from -20°C WB to 15.5°C WB and in cooling mode at ambient temperatures from -5°C DB to 43°C DB.

12.2 System layout



NOTICE

Design of the system must not be done at temperatures below -15°C .



- a VRV IV replacement heat pump outdoor unit
- b Refrigerant piping
- c VRV direct expansion (DX) indoor unit
- d User interface (dedicated depending on indoor unit type)
- e Cool/Heat changeover remote control switch

13 Unit installation

13.1 Preparing the installation site

13.1.1 Installation site requirements of the outdoor unit

Mind the spacing guidelines. See the "Technical data" chapter.



CAUTION

Appliance not accessible to the general public, install it in a secured area, protected from easy access.

This unit, both indoor and outdoor, is suitable for installation in a commercial and light industrial environment.



NOTICE

This is a class A product. In a domestic environment this product may cause radio interference in which case the user may be required to take adequate measures.

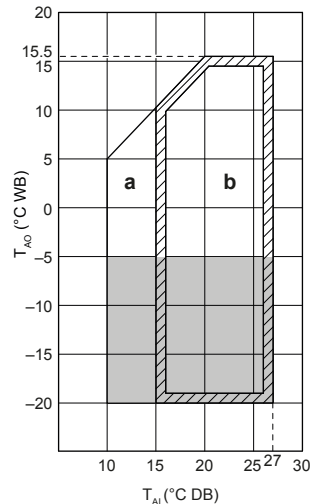
13.1.2 Additional installation site requirements of the outdoor unit in cold climates



NOTICE

When operating the unit in a low outdoor ambient temperature with high humidity conditions, make sure to take precautions to keep the drain holes of the unit free by using proper equipment.

In heating:



a Warming up operation range

b Operation range

T_{Ai} Ambient indoor temperature

T_{Ao} Ambient outdoor temperature

■ If the unit has to operate for 5 days in this area with high humidity ($>90\%$), Daikin recommends to install the optional heater tape kit (EKBPH012TA or EKBPH020TA) to keep the drain holes free.

13.2 Opening the unit

13.2.1 To open the outdoor unit

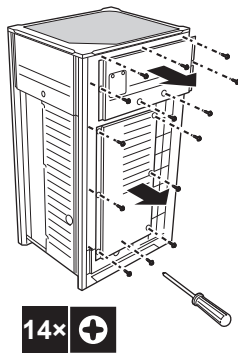


DANGER: RISK OF ELECTROCUTION

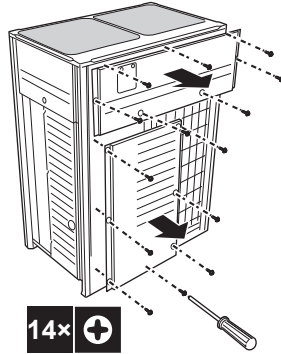


DANGER: RISK OF BURNING/SCALDING

8~12 HP



14~20 HP



Once the front plates open, the electrical component box can be accessed. See "To open the electrical component box of the outdoor unit" [p 17].

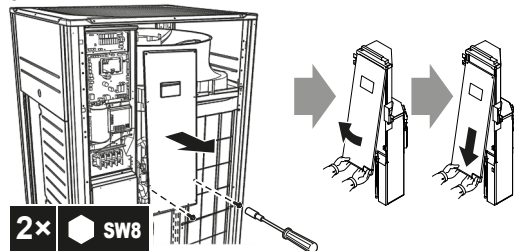
For service purposes, the pushbuttons on the main PCB need to be accessed. To access these pushbuttons, the electrical component box cover does not need to be opened. See "To access the field setting components" [p 34].

13.2.2 To open the electrical component box of the outdoor unit

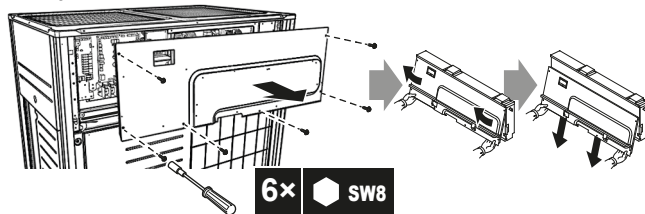
NOTICE

Do NOT apply excessive force when opening the electronic component box cover. Excessive force can deform the cover, resulting in entering of water to cause equipment failure.

8~12 HP

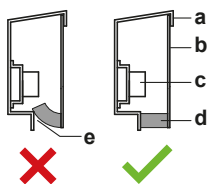


14~20 HP



NOTICE

When closing the electrical component box cover, make sure that the sealing material on the lower back side of the cover is NOT caught and bent towards the inside (see figure below).



- a Electrical component box cover
- b Front side
- c Power supply terminal block
- d Sealing material
- e Moisture and dirt could enter
- ✗ NOT allowed

✓ Allowed

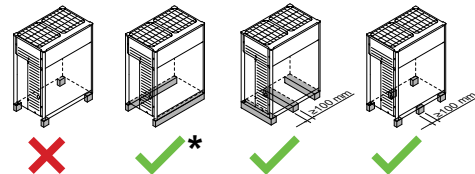
13.3 Mounting the outdoor unit

13.3.1 To provide the installation structure

Make sure the unit is installed level on a sufficiently strong base to prevent vibration and noise.

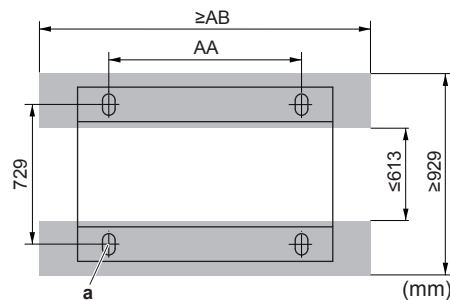
NOTICE

- When the installation height of the unit needs to be increased, do NOT use stands to only support the corners.
- Stands under the unit must be at least 100 mm wide.



✗ NOT allowed
✓ Allowed (* = preferred installation)

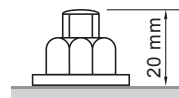
- The height of the foundation must at least be 150 mm from the floor. In heavy snowfall areas, this height should be increased, depending on the installation place and condition.
- The preferred installation is on a solid longitudinal foundation (steel beam frame or concrete). The foundation must be larger than the grey marked area.



Minimum foundation
a Anchor point (4x)

HP	AA	AB
8~12	766	992
14~20	1076	1302

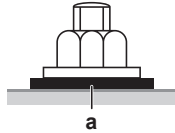
- Fasten the unit in place using four foundation bolts M12. It is best to screw in the foundation bolts until their length remains 20 mm above the foundation surface.



14 Piping installation

NOTICE

- Prepare a water drainage channel around the foundation to drain waste water from around the unit. During heating operation and when the outdoor temperatures are negative, the drained water from the outdoor unit will freeze up. If the water drainage is not taken care of, the area around the unit might be very slippery.
- When installed in a corrosive environment, use a nut with plastic washer (a) to protect the nut tightening part from rust.



14 Piping installation

14.1 Preparing refrigerant piping

14.1.1 Refrigerant piping requirements

NOTICE

Refrigerant R410A requires strict cautions for keeping the system clean and dry. Foreign materials (including mineral oils or moisture) should be prevented from getting mixed into the system.

NOTICE

The piping and other pressure-containing parts shall be suitable for refrigerant. Use phosphoric acid deoxidised seamless copper for refrigerant.

- Only use phosphoric acid deoxidised seamless copper.
- Foreign materials inside pipes (including oils for fabrication) must be ≤ 30 mg/10 m.
- Temper grade: use piping with temper grade in function of the pipe diameter as listed in table below.

Pipe \varnothing	Temper grade of piping material
≤ 15.9 mm	O (annealed)
≥ 19.1 mm	1/2H (half hard)

- All piping lengths and distances have been taken into consideration (see About the piping length in the installer reference guide).

NOTICE

When existing field piping is re-used, the design pressure of the piping has to be 33 bar (3.3 MPa) or higher.

NOTICE

Check also if the existing field piping (including branch piping) is compatible with the unit in terms of materials and thickness, and if the pipes and branch piping are not corroded. If the existing field piping does not comply with the above conditions, replace the existing field piping with field piping that meets the specific conditions.

NOTICE

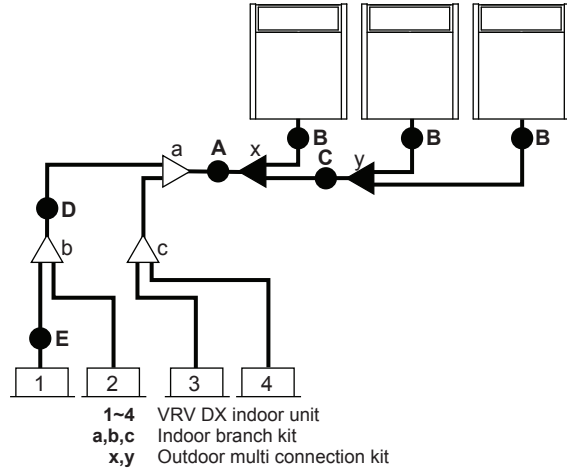
Check if there was no compressor malfunction or similar issues that could contribute to piping problems in the past. If there were such problems, check that the appropriate repairs were made, and if not, perform such repairs.

INFORMATION

The RXYQQ unit will limit the pressure on the field piping to 33 bar. Inside the outdoor unit, the design pressure is 40 bar.

14.1.2 To select the piping size

Determine the proper size using the following tables and reference figure (only for indication).



A, B, C: Piping between outdoor unit and (first) refrigerant branch kit

Choose from the following table in accordance with the outdoor unit total capacity type, connected downstream.

Outdoor unit capacity type (HP)	Piping outer diameter size (mm)			
	Gas pipe		Liquid pipe	
	Standard	Max.	Standard	Max.
8	19.1	28.6	9.5	15.9
10	22.2		9.5	
12~16	28.6	34.9	12.7	19.1
18~22	28.6		15.9	
24	34.9	41.3	15.9	22.2
26~34	34.9		19.1	
36~42	41.3	54.1	19.1	

D: Piping between refrigerant branch kits

Choose from the following table in accordance with the indoor unit total capacity type, connected downstream. Do not let the connection piping exceed the refrigerant piping size chosen by the general system model name.

Indoor unit capacity index	Piping outer diameter size (mm)			
	Gas pipe		Liquid pipe	
	Standard	Max.	Standard	Max.
<150	15.9	19.1	9.5	12.7
150 \leq x<200	19.1	25.4		
200 \leq x<290	22.2	28.6	15.9	19.1
290 \leq x<420	28.6 ^(a)	34.9		
420 \leq x<640			12.7	
640 \leq x<920	34.9	54.1	15.9	19.1
≥ 920	41.3		19.1	22.2

^(a) $\varnothing 25.4$ applicable in case of $290 \leq x \leq 420$, if available on the site.

Example:

- Downstream capacity for E=capacity index of unit 1

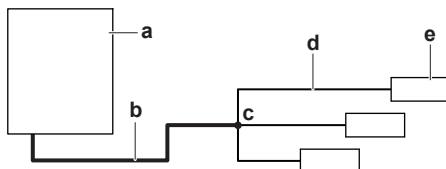
- Downstream capacity for D=capacity index of unit 1+capacity index of unit 2

E: Piping between refrigerant branch kit and indoor unit

Pipe size for direct connection to indoor unit must be the same as the connection size of the indoor unit.

Indoor unit capacity index	Piping outer diameter size (mm)			
	Gas pipe		Liquid pipe	
	Standard	Max.	Standard	Max.
15~50	12.7	15.9	6.4	9.5
63, 80	15.9	19.1	9.5	12.7
100~140		25.4		
200	19.1	28.6		
250	22.2			

- When the equivalent pipe length between outdoor and indoor units is 90 m or more, the size of the main pipes (both gas side and liquid side) must be increased. Depending on the length of the piping, the capacity may drop, but even in such a case the size of the main pipes has to be increased. More specifications can be found in the technical engineering data book.



- a Outdoor unit
- b Main pipes (increase if the equivalent piping length is ≥ 90 m)
- c First refrigerant branch kit
- d Piping between refrigerant branch kit and indoor unit
- e Indoor unit

HP class	Size up	
	Piping outer diameter size (mm)	
	Gas pipe	Liquid pipe
8	19.1 → 22.2	9.5 → 12.7
10	22.2 → 25.4 ^(a)	12.7 → 15.9
12+14	28.6 ^(b)	
16	28.6 → 31.8 ^(a)	15.9 → 19.1
18~22		
24	34.9 ^(b)	
26~34	34.9 → 38.1 ^(a)	19.1 → 22.2
36~42	41.3 ^(b)	

^(a) If the size-up size is NOT available, you must use the standard size. Sizes bigger than the size-up size are NOT allowed. But even if you use the standard size, the equivalent piping length is allowed to be more than 90 m.

^(b) Pipe size-up is NOT allowed.

- The pipe thickness of the refrigerant piping shall comply with the applicable legislation. The minimal pipe thickness for R410A piping must be in accordance with the table below.

Pipe Ø (mm)	Minimal thickness t (mm)
6.4	0.4
9.5	0.5
12.7	0.7
15.9	0.9
19.1	0.6 ^(a)
22.2	0.6
28.6	0.8
31.8	0.9

Pipe Ø (mm)	Minimal thickness t (mm)
34.9	1.0
38.1+41.3	1.1

^(a) If annealed temper grade is 1.

The refrigerant pipes and branches must meet the condition of design pressure 33 bar (3.3 MPa). If it is NOT possible to confirm this, use the refrigerant branch as mentioned in this chapter.

Confirm that the pipe thickness complies with the required minimum thickness.

- In case the required pipe sizes (inch sizes) are not available, it is also allowed to use other diameters (mm sizes), taken the following into account:
 - Select the pipe size nearest to the required size.
 - Use the suitable adapters for the change-over from inch to mm pipes (field supply).
 - The additional refrigerant calculation has to be adjusted as mentioned in To determine the additional refrigerant amount.

14.1.3 To select refrigerant branch kits

Refrigerant refnets

For piping example, refer to "To select the piping size" ▶ 18].

- When using refnet joints at the first branch counted from the outdoor unit side, choose from the following table in accordance with the capacity of the outdoor unit (example: refnet joint a).

Outdoor unit capacity type (HP)	2 pipes
8+10	KHRQ22M29T9
12~22	KHRQ22M64T
24~42	KHRQ22M75T

- For refnet joints other than the first branch (example refnet joint b), select the proper branch kit model based on the total capacity index of all indoor units connected after the refrigerant branch.

Indoor unit capacity index	2 pipes
<200	KHRQ22M20T
200≤x<290	KHRQ22M29T9
290≤x<640	KHRQ22M64T
≥640	KHRQ22M75T

- Concerning refnet headers, choose from the following table in accordance with the total capacity of all the indoor units connected below the refnet header.

Indoor unit capacity index	2 pipes
<200	KHRQ22M29H
200≤x<290	
290≤x<640	KHRQ22M64H ^(a)
≥640	KHRQ22M75H

^(a) If the pipe size above the refnet header is ≥ 34.9 or more, KHRQ22M75H is required.



INFORMATION

Maximum 8 branches can be connected to a header.

- How to choose an outdoor multi connection piping kit (required if the outdoor unit capacity is 22 HP or more). Choose from the following table in accordance with the number of outdoor units.

Number of outdoor units	Branch kit name
2	BHFQ22P1007
3	BHFQ22P1517

14 Piping installation

INFORMATION

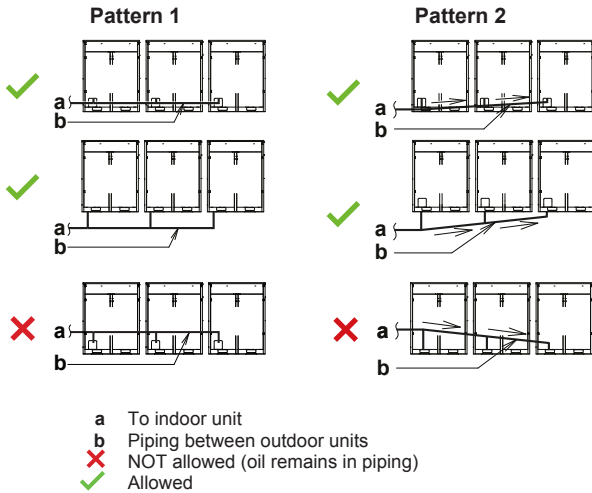
Reducers or T-joints are field supplied.

NOTICE

Refrigerant branch kits can only be used with R410A.

14.1.4 Multiple outdoor units: Possible layouts

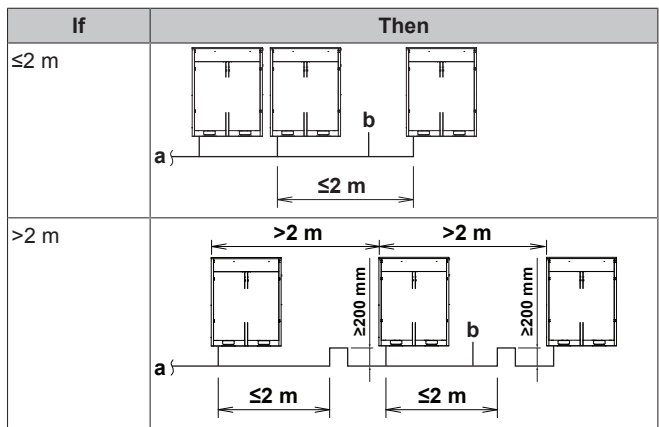
- The piping between the outdoor units must be routed level or slightly upward to avoid the risk of oil retention into the piping.



- To avoid the risk of oil retention to the outmost outdoor unit, always connect the stop valve and the piping between outdoor units as shown in the 4 correct possibilities of the figure below.



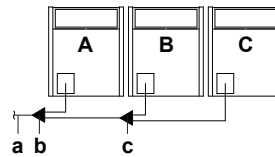
- If the piping length between the outdoor units exceeds 2 m, create a rise of 200 mm or more in the gas line within a length of 2 m from the kit.



a To indoor unit
 b Piping between outdoor units

NOTICE

There are restrictions on the refrigerant pipe connection order between outdoor units during installation in case of a multiple outdoor unit system. Install according to following restrictions. The capacities of outdoor units A, B and C must fulfill the following restriction conditions: $A \geq B \geq C$.

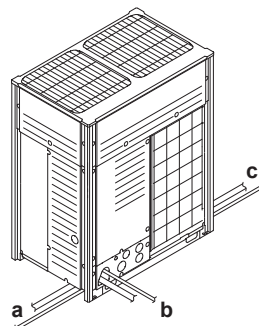


a To indoor units
 b Outdoor unit multi connecting piping kit (first branch)
 c Outdoor unit multi connecting piping kit (second branch)

14.2 Connecting the refrigerant piping

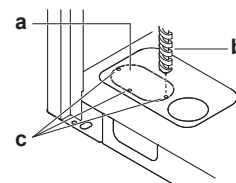
14.2.1 To route the refrigerant piping

Installation of refrigerant piping is possible as front connection or side connection (when taken out from the bottom) as shown in the figure below.



a Left-side connection
 b Front connection
 c Right-side connection

For side connections, the knockout hole on the bottom plate should be removed:



a Large knockout hole
 b Drill

c Points for drilling



NOTICE

Precautions when making knockout holes:

- Avoid damaging the casing.
- After making the knockout holes, we recommend you remove the burrs and paint the edges and areas around the edges using repair paint to prevent rusting.
- When passing electrical wiring through the knockout holes, wrap the wiring with protective tape to prevent damage.

14.2.2 To connect the refrigerant piping to the outdoor unit



NOTICE

- Be sure to use the supplied accessory pipes when carrying out piping work in the field.
- Be sure that the field installed piping does not touch other pipes, the bottom panel or side panel. Especially for the bottom and side connection, be sure to protect the piping with suitable insulation, to prevent it from coming into contact with the casing.

Connect the stop valves to the field piping using the accessory pipes supplied with the unit.

The connections to the branch kits are the responsibility of the installer (field piping).

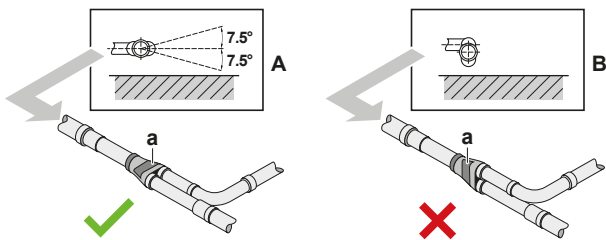
14.2.3 To connect the multi connection piping kit



NOTICE

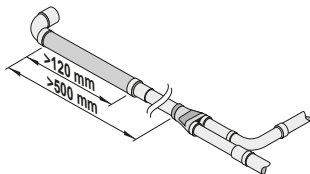
Improper installation may lead to malfunction of the outdoor unit.

- Install the joints horizontally, so that the caution label (a) attached to the joint comes to the top.
 - Do not tilt the joint more than 7.5° (see view A).
 - Do not install the joint vertically (see view B).



X Caution label NOT allowed
✓ Allowed

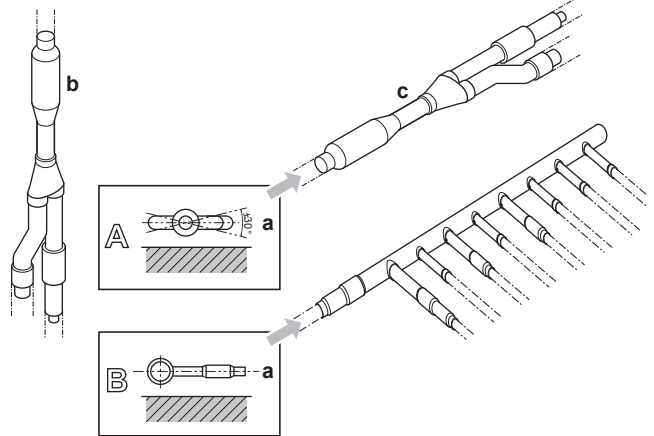
- Make sure that the total length of the piping connected to the joint is absolute straight for more than 500 mm. Only if a straight field piping of more than 120 mm is connected, more than 500 mm of straight section can be ensured.



14.2.4 To connect the refrigerant branching kit

For installation of the refrigerant branching kit, refer to the installation manual delivered with the kit.

- Mount the refnet joint so that it branches either horizontally or vertically.
- Mount the refnet header so that it branches horizontally.



a Horizontal surface
 b Refnet joint mounted vertically
 c Refnet joint mounted horizontally

14.2.5 To protect against contamination

Seal the piping and wiring intake holes using sealing material (field supply), otherwise the capacity of the unit will drop and small animals may enter the machine.

14.2.6 Using the stop valve and service port

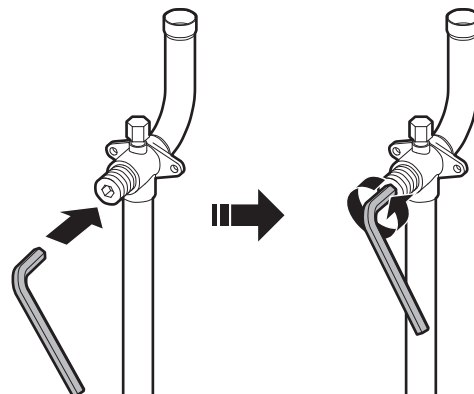
To handle the stop valve

Take the following guidelines into account:

- Make sure to keep all stop valves open during operation.
- The gas and liquid stop valves are factory closed.
- Do NOT apply excessive force to the stop valve. Doing so may break the valve body.

To open the stop valve

- 1 Remove the stop valve cover.
- 2 Insert a hexagon wrench into the stop valve and turn the stop valve counterclockwise.



- 3 When the stop valve cannot be turned any further, stop turning.
- 4 Install the stop valve cover.

Result: The valve is now open.

To fully open the $\varnothing 19.1\sim\varnothing 25.4$ mm stop valve, turn the hexagonal wrench until a torque between 27 and 33 N•m is achieved.

Inadequate torque may cause leakage of refrigerant and breakage of the stop valve cap.

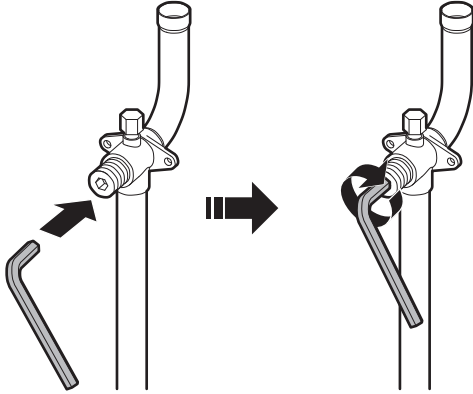
14 Piping installation

NOTICE

Pay attention that mentioned torque range is applicable for opening $\varnothing 19.1\sim\varnothing 25.4$ mm stop valves only.

To close the stop valve

- 1 Remove the stop valve cover.
- 2 Insert a hexagon wrench into the stop valve and turn the stop valve clockwise.

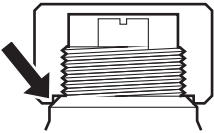


- 3 When the stop valve cannot be turned any further, stop turning.
- 4 Install the stop valve cover.

Result: The valve is now closed.

To handle the stop valve cover

- The stop valve cover is sealed where indicated by the arrow. Do NOT damage it.
- After handling the stop valve, tighten the stop valve cover securely, and check for refrigerant leaks. For the tightening torque, refer to the table below.



To handle the service port

- Always use a charge hose equipped with a valve depressor pin, since the service port is a Schrader type valve.
- After handling the service port, make sure to tighten the service port cover securely. For the tightening torque, refer to the table below.
- Check for refrigerant leaks after tightening the service port cover.

Tightening torques

Stop valve size (mm)	Tightening torque (N•m) (when opening or closing)		
	Valve body	Hexagonal wrench	Service port
$\varnothing 9.5$	5~7	4 mm	10.7~14.7
$\varnothing 12.7$	8~10		
$\varnothing 15.9$	14~16	6 mm	
$\varnothing 19.1$	19~21	8 mm	
$\varnothing 25.4$			

14.2.7 To remove the spun pipes

WARNING

Any gas or oil remaining inside the stop valve may blow off the spun piping.

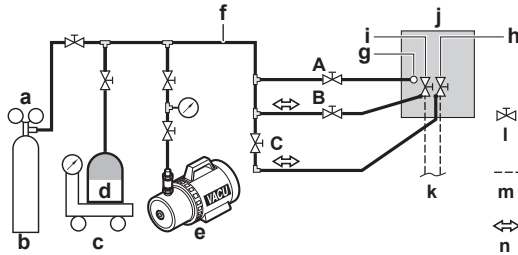
If these instructions are NOT followed correctly it may result in property damage or personal injury, which may be serious depending on the circumstances.

Use the following procedure to remove the spun piping:

- 1 Make sure that the stop valves are fully closed.



- 2 Connect the vacuuming/recovery unit through a manifold to the service port of all stop valves.



- a Gauge manifold
- b Nitrogen
- c Weighing scales
- d Refrigerant R410A tank (siphon system)
- e Vacuum pump
- f Charge hose
- g Refrigerant charge port
- h Gas line stop valve
- i Liquid line stop valve
- j Outdoor unit
- k To indoor unit
- l Stop valve
- m Field piping
- n Gas flow
- A Valve A
- B Valve B
- C Valve C

- 3 Recover gas and oil from the spun piping by using a recovery unit.


CAUTION

Do not vent gases into the atmosphere.

- 4 When all gas and oil is recovered from the spun piping, disconnect the charge hose and close the service ports.
- 5 Cut off the lower part of the gas and liquid stop valve pipes along the black line. Use an appropriate tool (e.g. a pipe cutter).



WARNING



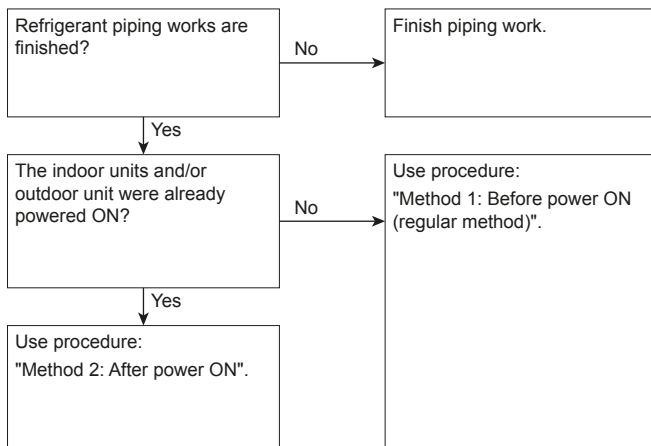
NEVER remove the spun piping by brazing.

Any gas or oil remaining inside the stop valve may blow off the spun piping.

- Wait until all oil has dripped out before continuing with the connection of the field piping in case the recovery was not complete.

14.3 Checking the refrigerant piping

14.3.1 About checking the refrigerant piping



It is very important that all refrigerant piping work is done before the units (outdoor or indoor) are powered on. When the units are powered on, the expansion valves will initialise. This means that the valves will close.

NOTICE

Leak test and vacuum drying of field piping and indoor units is impossible when field expansion valves are closed.

Method 1: Before power ON

If the system has not yet been powered on, no special action is required to perform the leak test and the vacuum drying.

Method 2: After power ON

If the system has already been powered on, activate setting [2-21] (refer to "To access mode 1 or 2" [p 35]). This setting will open field expansion valves to guarantee a refrigerant piping pathway and make it possible to perform the leak test and the vacuum drying.

DANGER: RISK OF ELECTROCUTION

NOTICE

Make sure that all indoor units connected to the outdoor unit are powered on.

NOTICE

Wait to apply setting [2-21] until the outdoor unit has finished the initialisation.

Leak test and vacuum drying

Checking the refrigerant piping involves:

- Checking for any leakages in the refrigerant piping.

- Performing vacuum drying to remove all moisture, air or nitrogen in the refrigerant piping.

If there is a possibility of moisture being present in the refrigerant piping (for example, water may have entered the piping), first carry out the vacuum drying procedure below until all moisture has been removed.

All piping inside the unit has been factory tested for leaks.

Only field installed refrigerant piping needs to be checked. Therefore, make sure that all the outdoor unit stop valves are firmly closed before performing leak test or vacuum drying.

NOTICE

Make sure that all (field supplied) field piping valves are OPEN (not outdoor unit stop valves!) before you start leak test and vacuuming.

For more information on the state of the valves, refer to "Checking refrigerant piping: Setup" [p 23].

14.3.2 Checking refrigerant piping: General guidelines

Connect the vacuum pump through a manifold to the service port of all stop valves to increase efficiency (refer to "Checking refrigerant piping: Setup" [p 23]).

NOTICE

Use a 2-stage vacuum pump with a non-return valve or a solenoid valve that can evacuate to a gauge pressure of -100.7 kPa (-1.007 bar)(5 Torr absolute).

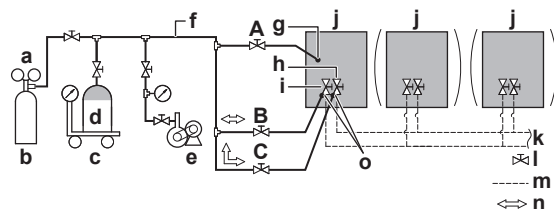
NOTICE

Make sure the pump oil does not flow oppositely into the system while the pump is not working.

NOTICE

Do NOT purge the air with refrigerants. Use a vacuum pump to evacuate the installation.

14.3.3 Checking refrigerant piping: Setup



- a Pressure reducing valve
- b Nitrogen
- c Weighing scales
- d Refrigerant R410A tank (siphon system)
- e Vacuum pump
- f Charge hose
- g Refrigerant charge port
- h Gas line stop valve
- i Liquid line stop valve
- j Outdoor unit
- k To indoor unit
- l Stop valve
- m Field piping
- n Gas flow
- o Stop valve service port
- A Valve A
- B Valve B
- C Valve C

Valve	State of valve
Valve A	Close
Valve B	Open
Valve C	Open
Liquid line stop valve	Close

14 Piping installation

Valve	State of valve
Gas line stop valve	Close

NOTICE

The connections to the indoor units and all indoor units should also be leak and vacuum tested. Keep any possible (field supplied) field piping valves open as well.

Refer to the indoor unit installation manual for more details. Leak test and vacuum drying should be done before the power supply is set to the unit. If not, see also the flow chart earlier described in this chapter (see "[About checking the refrigerant piping](#)" [▶ 23]).

14.3.4 To perform a leak test

The leak test must satisfy the specifications of EN378-2.

To check for leaks: Vacuum leak test

- 1 Evacuate the system from the liquid and gas piping to -100.7 kPa (-1.007 bar) (5 Torr absolute) for more than 2 hours.
- 2 Once reached, turn off the vacuum pump and check that the pressure does not rise for at least 1 minute.
- 3 Should the pressure rise, the system may either contain moisture (see vacuum drying below) or have leaks.

To check for leaks: Pressure leak test

- 1 Test for leaks by applying a bubble test solution to all piping connections.
- 2 Discharge all nitrogen gas.
- 3 Break the vacuum by pressurising with nitrogen gas to a minimum gauge pressure of 0.2 MPa (2 bar). Never set the gauge pressure higher than the maximum operation pressure of the unit, i.e. 3.3 MPa (33 bar).

NOTICE

ALWAYS use a recommended bubble test solution from your wholesaler.

NEVER use soap water:

- Soap water may cause cracking of components, such as flare nuts or stop valve caps.
- Soap water may contain salt, which absorbs moisture that will freeze when the piping gets cold.
- Soap water contains ammonia which may lead to corrosion of flared joints (between the brass flare nut and the copper flare).

14.3.5 To perform vacuum drying

To remove all moisture from the system, proceed as follows:

- 1 Evacuate the system for at least 2 hours to a target vacuum of -100.7 kPa (-1.007 bar) (5 Torr absolute).
- 2 Check that, with the vacuum pump turned off, the target vacuum is maintained for at least 1 hour.
- 3 Should you fail to reach the target vacuum within 2 hours or maintain the vacuum for 1 hour, the system may contain too much moisture. In that case, break the vacuum by pressurising with nitrogen gas to a gauge pressure of 0.05 MPa (0.5 bar) and repeat steps 1 to 3 until all moisture has been removed.
- 4 Depending on whether you want to immediately charge refrigerant through the refrigerant charge port or first pre-charge a portion of refrigerant through the liquid line, either open the outdoor unit stop valves, or keep them closed. See "[About charging refrigerant](#)" [▶ 25] for more information.

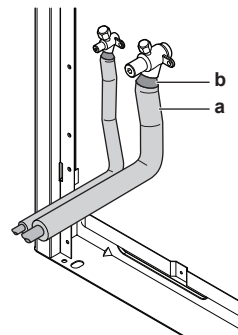
14.3.6 To insulate the refrigerant piping

After finishing the leak test and vacuum drying, the piping must be insulated. Take into account the following points:

- Make sure to insulate the connection piping and refrigerant branch kits entirely.
- Be sure to insulate the liquid and gas piping (for all units).
- Use heat resistant polyethylene foam which can withstand a temperature of 70°C for liquid piping and polyethylene foam which can withstand a temperature of 120°C for gas piping.
- Reinforce the insulation on the refrigerant piping according to the installation environment.

Ambient temperature	Humidity	Minimum thickness
$\leq 30^\circ\text{C}$	75% to 80% RH	15 mm
$> 30^\circ\text{C}$	$\geq 80\%$ RH	20 mm

- If there is a possibility that condensation on the stop valve might drip down into the indoor unit through gaps in the insulation and piping because the outdoor unit is located higher than the indoor unit, this must be prevented by sealing up the connections. See below figure.



a Insulation material
b Caulking etc.

14.4 Charging refrigerant

14.4.1 Precautions when charging refrigerant



WARNING

- ONLY use R410A as refrigerant. Other substances may cause explosions and accidents.
- R410A contains fluorinated greenhouse gases. Its global warming potential (GWP) value is 2087.5. Do NOT vent these gases into the atmosphere.
- When charging refrigerant, ALWAYS use protective gloves and safety glasses.



NOTICE

If the power of some units is turned off, the charging procedure cannot be finished properly.



NOTICE

In case of a multiple outdoor system, turn on the power of all outdoor units.



NOTICE

Be sure to turn ON the power 6 hours before operation in order to have power running to the crankcase heater and to protect the compressor.



NOTICE

If operation is performed within 12 minutes after the indoor and outdoor units are powered on, the compressor will not operate before the communication is established in a correct way between outdoor unit(s) and indoor units.



NOTICE

Before starting charging procedures, check if the 7-segment display indication of the outdoor unit A1P PCB is as normal (see "To access mode 1 or 2" ▶ 35). If a malfunction code is present, see "19.1 Solving problems based on error codes" ▶ 38.



NOTICE

Make sure all connected indoor units are recognised (see [1-10] in "Mode 1: Monitoring settings" ▶ 35).



NOTICE

Close the front panel before any refrigerant charge operation is executed. Without the front panel attached the unit cannot judge correctly whether it is operating properly or not.



NOTICE

In case of maintenance and the system (outdoor unit+field piping+indoor units) does not contain any refrigerant any more (e.g., after refrigerant reclaim operation), the unit has to be charged with its original amount of refrigerant (refer to the nameplate on the unit) by pre-charging before the automatic charging function can be started.



NOTICE

Refrigerant can only be charged after the field wiring has been completed.



NOTICE

When charging a system, take care that the maximum permissible charge is never exceeded, in view of the danger of liquid hammer.

14.4.2 About charging refrigerant

Once vacuum drying is finished, additional refrigerant charging can start.

There are two methods to charge additional refrigerant.

Method	See
Automatic charge	"Step 6a: To automatically charge refrigerant" ▶ 29]
Manual charge	"Step 6b: To manually charge refrigerant" ▶ 29]

To speed up the refrigerant charging process, it is in case of larger systems recommended to first pre-charge a portion of refrigerant through the liquid line before proceeding with the actual automatic or manual charging. This step is included in below procedure (see "To charge refrigerant" ▶ 28). It can be skipped, but charging will take longer then.

A flow chart is available which gives an overview of the possibilities and actions to be taken (see "To charge refrigerant: Flow chart" ▶ 27).

14.4.3 To determine the additional refrigerant amount



INFORMATION

For final charge adjustment in the test laboratory, please contact your local dealer.



NOTICE

The refrigerant charge of the system must be less than 100 kg. This means that in case the calculated total refrigerant charge is equal to or more than 95 kg you must divide your multiple outdoor system into smaller independent systems, each containing less than 95 kg refrigerant charge. For factory charge, refer to the unit name plate.

Formula:

$$R=[(X_1 \times \mathbf{\varnothing 22.2}) \times 0.37 + (X_2 \times \mathbf{\varnothing 19.1}) \times 0.26 + (X_3 \times \mathbf{\varnothing 15.9}) \times 0.18 + (X_4 \times \mathbf{\varnothing 12.7}) \times 0.12 + (X_5 \times \mathbf{\varnothing 9.5}) \times 0.059 + (X_6 \times \mathbf{\varnothing 6.4}) \times 0.022] + A + C$$

R Additional refrigerant to be charged [in kg and rounded off to 1 decimal place]

X_{1...6} Total length [m] of liquid piping size at Øa
A, C Parameters A and C (see tables below)

Parameter A:

Parameter A ^(a)				
Piping length ^(b)	CR	A		
		8 HP	10~14 HP	16~20 HP
≤30 m	50% ≤ CR ≤ 105%	0 kg		0.5 kg
	105% < CR ≤ 130%	0.5 kg		1.0 kg
>30 m	50% ≤ CR ≤ 70%	0 kg		0.5 kg
	70% < CR ≤ 85%	0.3 kg	0.5 kg	1.0 kg
	85% < CR ≤ 105%	0.7 kg	1.0 kg	1.5 kg
	105% < CR ≤ 130%	1.2 kg	1.5 kg	2.0 kg

(a) In case of a multi-outdoor-unit system, add the sum of the individual outdoor unit charge factors.

(b) Piping length is considered the distance from the outdoor unit to the farthest indoor unit

CR Total indoor unit capacity connection ratio

Parameter C:

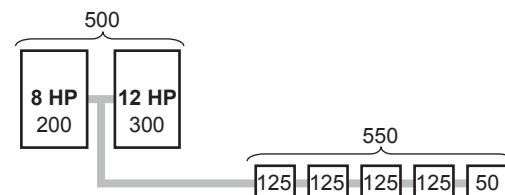
Parameter C ^(a)					
Model	CR ≥ 100%				CR < 100%
	If	Then	If	Then	
8 HP	N ≥ 4	C = N × 0.1 kg	N < 4	C = 0 kg	C = 0 kg
10 HP	N ≥ 5		N < 5		
12 HP	N ≥ 6		N < 6		
14 HP	N ≥ 7		N < 7		
16 HP	N ≥ 8		N < 8		
18 HP	N ≥ 9		N < 9		
20 HP	N ≥ 10		N < 10		

(a) In case of a multi-outdoor-unit system, add the sum of the individual outdoor unit charge factors.

CR Total indoor unit capacity connection ratio

N Number of VRV DX and RA DX indoor units connected to the outdoor unit

Parameter C – Example with multiple outdoor units:



#	Action
1	Determine the connection ratio: <ul style="list-style-type: none"> Total outdoor unit capacity class = 500 Total indoor unit capacity class = 550 => CR ≥ 100%

14 Piping installation

#	Action
2	Determine parameter C: <ul style="list-style-type: none"> ▪ N=5 ▪ 8 HP: $N \geq 4 \Rightarrow C1 = N \times 0.1 = 5 \times 0.1$ kg ▪ 12 HP: $N < 6 \Rightarrow C2 = 0$ kg $\Rightarrow C = C1 + C2 = 0.5$ kg

Metric piping. When using metric piping, replace the weight factors in the formula by the ones from the following table:

Inch piping		Metric piping	
Piping	Weight factor	Piping	Weight factor
Ø6.4 mm	0.022	Ø6 mm	0.018
Ø9.5 mm	0.059	Ø10 mm	0.065
Ø12.7 mm	0.12	Ø12 mm	0.097
Ø15.9 mm	0.18	Ø15 mm	0.16
		Ø16 mm	0.18
Ø19.1 mm	0.26	Ø18 mm	0.24
Ø22.2 mm	0.37	Ø22 mm	0.35

14.4.4 To charge refrigerant: Flow chart

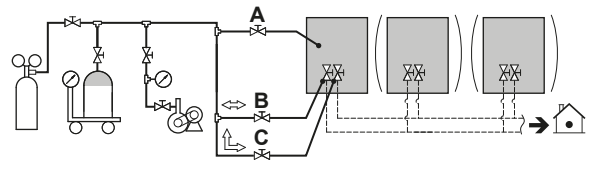
For more information, see "To charge refrigerant" [▶ 28].

Pre-charging refrigerant

Step 1
Calculate additional refrigerant charge amount: R (kg)

Step 2+3

- Open valve B to the field piping via liquid stop valve
- Execute pre-charging amount: Q (kg)
- Close valve B if no additional refrigerant can be charged



Step 4a

- Close valve B
- Charging is finished
- Fill in the amount on the additional refrigerant charge label
- Go to test run

Refrigerant overcharge happened, recover refrigerant to reach R=Q

Step 4b

- Close valve B

Step 5

- Connect valve A to refrigerant charge port
- Open all outdoor unit stop valves

Proceed with automatic or manual charge

Manual charge

Step 6b
Activate field setting [2-20]=1
Unit will start manual refrigerant charging operation.

- Open valve A
- Charge remaining amount of refrigerant P (kg)
 $R=Q+P$

- Close valve A
- Push BS3 to stop manual charging
- Charging is finished
- Fill in the amount on the additional refrigerant charge label
- Go to test run

Automatic charge

Step 6a

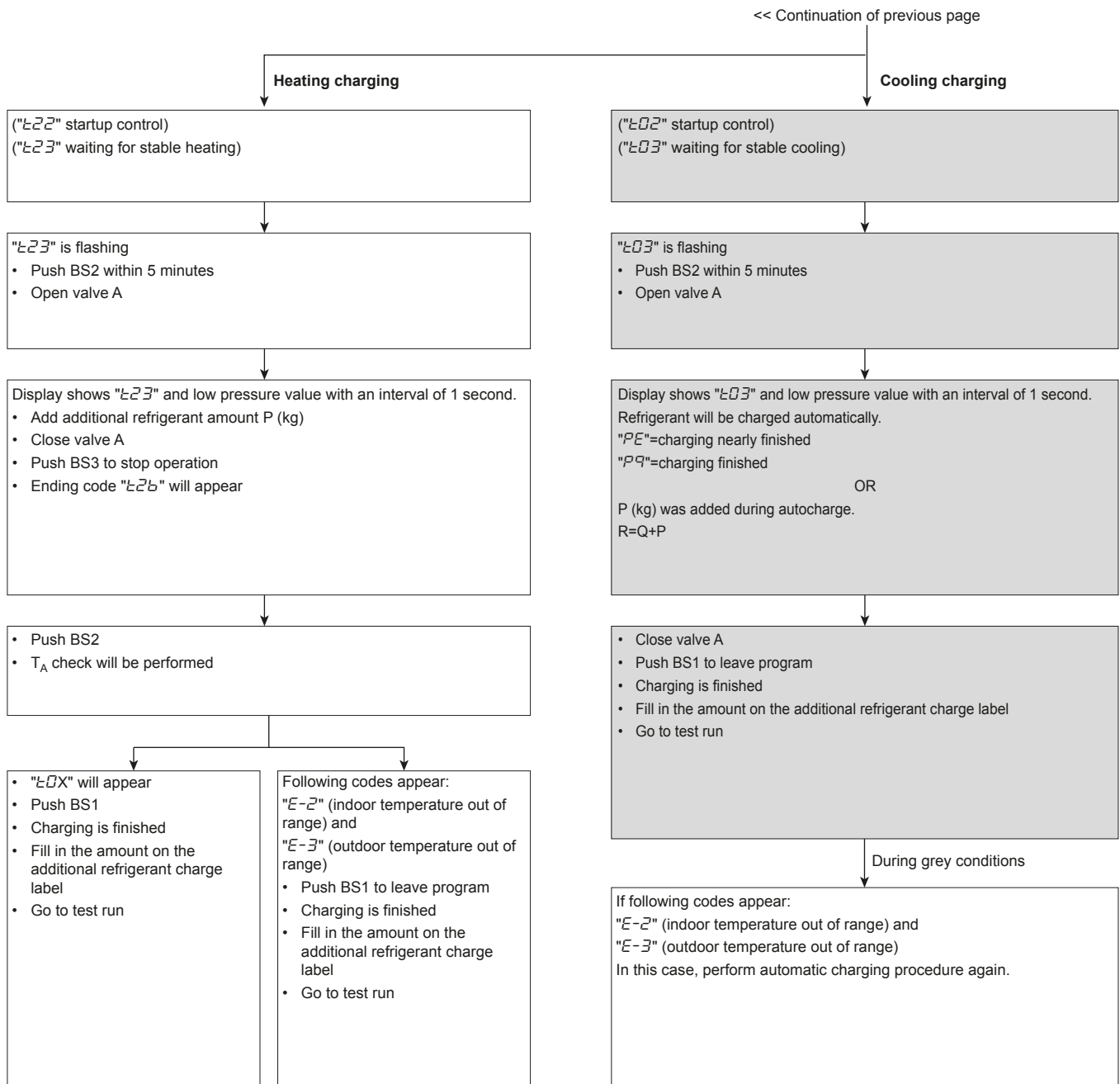
- Push 1x BS2: "BBB"
- Push BS2 for more than 5 seconds "LD I" pressure equalisation

Depending on ambient conditions, the unit will decide to perform autocharge operation in heating or cooling mode.

Continued on next page >>

14 Piping installation

Pre-charging refrigerant



14.4.5 To charge refrigerant

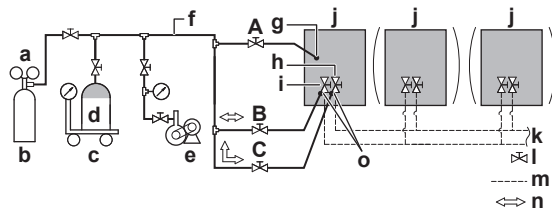
Follow the steps as described below and take into account whether you want to use the automatic charge function or not.

Pre-charging refrigerant

- Calculate the additional amount of refrigerant to be added using the formula mentioned in To determine the additional refrigerant amount.
- The first 10 kg of additional refrigerant can be pre-charged without outdoor unit operation.

If	Then
The additional refrigerant amount is smaller than 10 kg	Perform steps 3~4.
The additional refrigerant charge is larger than 10 kg	Perform steps 3~6.

- Pre-charging can be done without compressor operation, by connecting the refrigerant bottle to the service port of the liquid stop valve (open valve B). Make sure that the stop valves are closed (valve A and C, liquid and gas line).



- a Pressure reducing valve
- b Nitrogen
- c Weighing scales
- d Refrigerant R410A tank (siphon system)
- e Vacuum pump
- f Charge hose
- g Refrigerant charge port
- h Gas line stop valve

- i Liquid line stop valve
- j Outdoor unit
- k To indoor unit
- l Stop valve
- m Field piping
- n Gas flow
- o Stop valve service port
- A Valve A
- B Valve B
- C Valve C

4 Do one of the following:

	If	Then
4a	The calculated additional refrigerant amount is reached by above pre-charging procedure	Close valve B and disconnect the manifold connection to the liquid line.
4b	The total amount of refrigerant could not be charged by pre-charging	Close valve B, disconnect the manifold connection to the liquid line, and perform steps 5~6.

INFORMATION

If the total additional refrigerant amount was reached in step 4 (by pre-charging only), record the amount of refrigerant that was added on the additional refrigerant charge label provided with the unit and attach it on the back side of the front panel.

Perform the test procedure as described in "17 Commissioning" [▶ 37].

Charging refrigerant

5 After pre-charging, connect valve A to the refrigerant charge port and charge the remaining additional refrigerant through this port. Open all outdoor unit stop valves. At this point, valve A must remain closed!

INFORMATION

For a multi outdoor unit system, it is not required to connect all charge ports to a refrigerant tank.

The refrigerant will be charged with ±22 kg in 1 hour time at an outdoor temperature of 30°C DB or with ±6 kg at an outdoor temperature of 0°C DB.

If you need to speed up in case of a multiple outdoor system, connect the refrigerant tanks to each outdoor unit.

NOTICE

- The refrigerant charging port is connected to the piping inside the unit. The unit's internal piping is already factory charged with refrigerant, so be careful when connecting the charge hose.
- After adding the refrigerant, do not forget to close the lid of the refrigerant charging port. The tightening torque for the lid is 11.5 to 13.9 N•m.
- In order to ensure uniform refrigerant distribution, it may take the compressor ±10 minutes to start up after the unit has started operation. This is not a malfunction.

14.4.6 Step 6a: To automatically charge refrigerant

INFORMATION

The automatic refrigerant charging has limits as described below. Out of these limits, the system cannot operate the automatic refrigerant charging:

- Outdoor temperature: 0~43°C DB.
- Indoor temperature: 10~32°C DB.
- Total indoor unit capacity: ≥80%.

When "E23" or "E03" starts flashing (ready for charging), push BS2 within 5 minutes. Open valve A. If BS2 is not pushed within 5 minutes, a malfunction code will appear:

If	Then
Heating operation	"E25" will be flashing. Push BS2 to restart the procedure.
Cooling operation	Malfunction code "P2" will appear. Push BS1 to abort and restart the procedure.

If	Then
"E01", "E02", or "E03" appears	Push BS1 to finish the automatic charging function procedure. The ambient conditions are favourable to execute the test run.
"E-2", or "E-3" appears	The ambient conditions are NOT favourable to execute the test run. Push BS1 to finish the automatic charging procedure.

INFORMATION

In case a malfunction code occurred during this automatic charging procedure, the unit will stop and indicate "E25" flashing. Push BS2 to restart the procedure.

INFORMATION

- When a malfunction is detected during the procedure (e.g. in case of closed stop valve), a malfunction code will be displayed. In that case, refer to "19.1 Solving problems based on error codes" [▶ 38] and solve the malfunction accordingly. Resetting the malfunction can be done by pushing BS1. The procedure can be restarted from "Step 6a: To automatically charge refrigerant" [▶ 29].
- Aborting the automatic refrigerant charge is possible by pushing BS1. The unit will stop and return to idle condition.

14.4.7 Step 6b: To manually charge refrigerant

INFORMATION

The manual refrigerant charge operation will automatically stop within 30 minutes. If charging is not completed after 30 minutes, perform the additional refrigerant charging operation again.

INFORMATION

- When a malfunction is detected during the procedure (e.g., in case of closed stop valve), a malfunction code will be displayed. In that case, refer to "Error codes when charging refrigerant" [▶ 30] and solve the malfunction accordingly. Resetting the malfunction can be done by pushing BS3. The procedure can be restarted from "Step 6b: To manually charge refrigerant" [▶ 29].
- Aborting the manual refrigerant charge is possible by pushing BS3. The unit will stop and return to idle condition.

15 Electrical installation

14.4.8 Error codes when charging refrigerant

Code	Cause	Solution
P2	Unusual low pressure on suction line	Close valve A immediately. Push BS3 to reset. Check following items before retrying autocharge procedure: <ul style="list-style-type: none"> Check if the gas side stop valve is opened correctly. Check if the valve of the refrigerant cylinder is opened. Check if the air inlet and outlet of the indoor unit are not obstructed.
PB	Freeze-up prevention indoor unit	Close valve A immediately. Push BS3 to reset. Retry autocharge procedure.
E-2	Indoor unit is out of temperature range for leak detection operation	Retry when ambient conditions are satisfied.
E-3	Outdoor unit is out of temperature range for leak detection operation	Retry when ambient conditions are satisfied.
Other malfunction code	—	Close valve A immediately. Confirm the malfunction code and take corresponding action, "19.1 Solving problems based on error codes" [p 38].

14.4.9 Checks after charging refrigerant

- Are all stop valves open?
- Is the amount of refrigerant, that has been added, recorded on the refrigerant charge label?



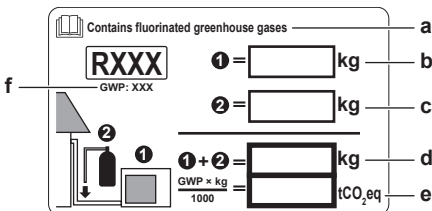
NOTICE

Make sure to open all stop valves after (pre-) charging the refrigerant.

Operating with the stop valves closed will damage the compressor.

14.4.10 To fix the fluorinated greenhouse gases label

- Fill in the label as follows:



- If a multilingual fluorinated greenhouse gases label is delivered with the unit (see accessories), peel off the applicable language and stick it on top of a.
- Factory refrigerant charge: see unit name plate
- Additional refrigerant amount charged
- Total refrigerant charge
- Quantity of fluorinated greenhouse gases** of the total refrigerant charge expressed as tonnes CO₂ equivalent.
- GWP = Global warming potential



NOTICE

Applicable legislation on **fluorinated greenhouse gases** requires that the refrigerant charge of the unit is indicated both in weight and CO₂ equivalent.

Formula to calculate the quantity in CO₂ equivalent tonnes: GWP value of the refrigerant × total refrigerant charge [in kg] / 1000

Use the GWP value mentioned on the refrigerant charge label.

- Fix the label on the inside of the outdoor unit near the gas and liquid stop valves.

15 Electrical installation



DANGER: RISK OF ELECTROCUTION



WARNING

ALWAYS use multicore cable for power supply cables.

15.1 About electrical compliance

This equipment complies with:

- EN/IEC 61000-3-11** provided that the system impedance Z_{sys} is less than or equal to Z_{max} at the interface point between the user's supply and the public system.
 - EN/IEC 61000-3-11 = European/International Technical Standard setting the limits for voltage changes, voltage fluctuations and flicker in public low-voltage supply systems for equipment with rated current ≤ 75 A.
 - It is the responsibility of the installer or user of the equipment to ensure, by consultation with the distribution network operator if necessary, that the equipment is connected only to a supply with a system impedance Z_{sys} less than or equal to Z_{max} .
- EN/IEC 61000-3-12** provided that the short-circuit power S_{sc} is greater than or equal to the minimum S_{sc} value at the interface point between the user's supply and the public system.
 - EN/IEC 61000-3-12 = European/International Technical Standard setting the limits for harmonic currents produced by equipment connected to public low-voltage systems with input current > 16 A and ≤ 75 A per phase.
 - It is the responsibility of the installer or user of the equipment to ensure, by consultation with the distribution network operator if necessary, that the equipment is connected only to a supply with a short-circuit power S_{sc} greater than or equal to the minimum S_{sc} value.

Model	$Z_{max}(\Omega)$	Minimum S_{sc} value (kVA)
RXYQQ8	—	4050
RXYQQ10	—	5535
RXYQQ12	—	6038
RXYQQ14	—	6793
RXYQQ16	—	7547
RXYQQ18	—	8805
RXYQQ20	—	9812
RXYQQ22	—	11573
RXYQQ24	—	11597
RXYQQ26	—	12831
RXYQQ28	—	13585
RXYQQ30	—	14843
RXYQQ32	—	15094

Model	Z _{max} (Ω)	Minimum S _{sc} value (kVA)
RXYQQ34	—	16352
RXYQQ36	—	17359
RXYQQ38	—	19397
RXYQQ40	—	20378
RXYQQ42	—	20629



INFORMATION

Multi units are standard combinations.

15.2 Safety device requirements

The power supply must be protected with the required safety devices, i.e. a main switch, a slow blow fuse on each phase and an earth leakage protector in accordance with the applicable legislation.

For standard combinations

Selection and sizing of the wiring should be done in accordance with the applicable legislation based on the information mentioned in the table below.

Model	Minimum circuit ampacity	Recommended fuses
RXYQQ8	16.1 A	20 A
RXYQQ10	22.0 A	25 A
RXYQQ12	24.0 A	32 A
RXYQQ14	27.0 A	32 A
RXYQQ16	31.0 A	40 A
RXYQQ18	35.0 A	40 A
RXYQQ20	39.0 A	50 A

For all models:

- Phase and frequency: 3N~ 50 Hz
- Voltage: 380~415 V
- Transmission line section: 0.75~1.25 mm², maximum length is 1000 m. If the total transmission wiring exceeds these limits, it may result in communication error.

For non-standard combinations

Calculate the recommended fuse capacity.

Formula	Calculate, by adding the minimum circuit amps of each used unit (according to the table above), multiply the result by 1.1 and select the next higher recommended fuse capacity.
Example	Combining the RXYQQ30 by using the RXYQQ18, and RXYQQ12. <ul style="list-style-type: none"> Minimum circuit ampacity of the RXYQQ18 =35.0 A Minimum circuit ampacity of the RXYQQ12=24.0 A Accordingly, the minimum circuit ampacity of the RXYQQ30=35.0+24.0=59.0 A Multiply the above result by 1.1: (59.0 A×1.1)=64.1 A, so the recommended fuse capacity would be 80 A .



NOTICE

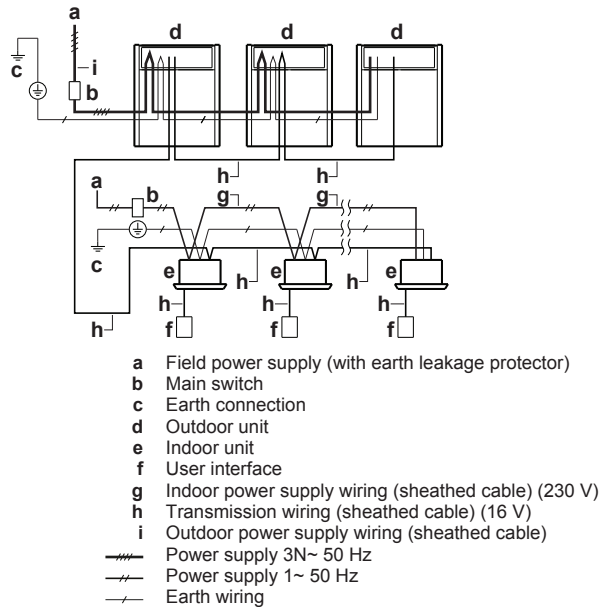
When using residual current operated circuit breakers, be sure to use a high-speed type 300 mA rated residual operating current.

15.3 Field wiring: Overview

Field wiring consists of:

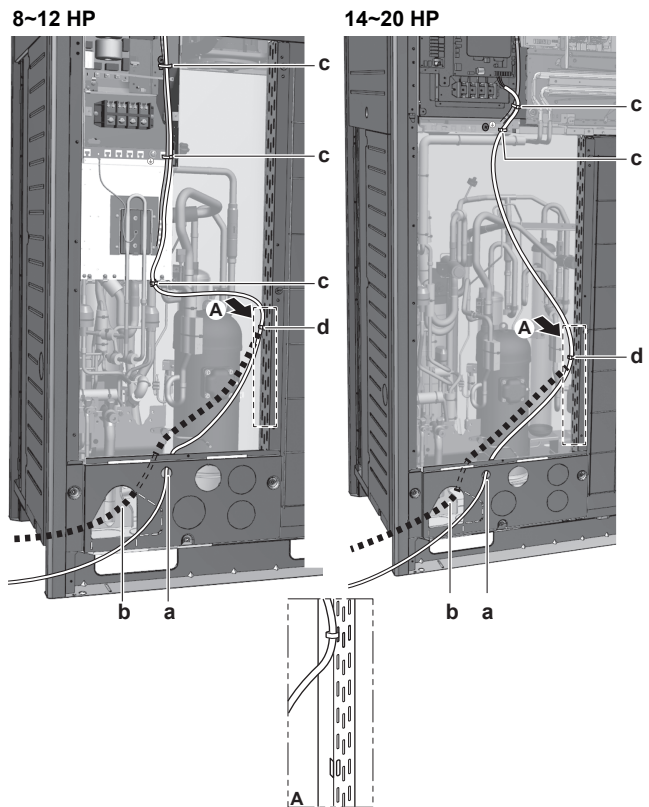
- power supply (including earth),
- DIII transmission wiring between communication box and outdoor unit,
- RS-485 transmission wiring between communication box and monitoring system.

Example:



15.4 To route and fix the transmission wiring

Transmission wiring can be routed through the front side only. Fix it to the upper mounting hole.

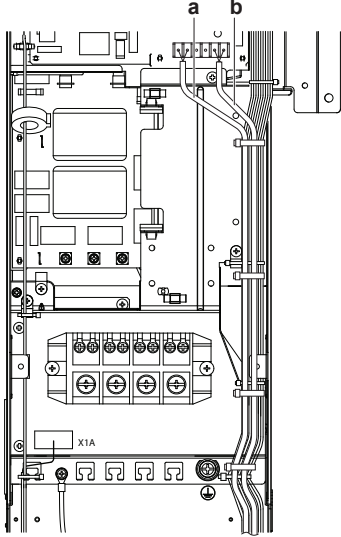


- a** Transmission wiring (possibility 1)^(a)
- b** Transmission wiring (possibility 2)^(a). Fix to pipe insulation with tie wraps.
- c** Tie wrap. Fix to factory-mounted low voltage wiring.
- d** Tie wrap.

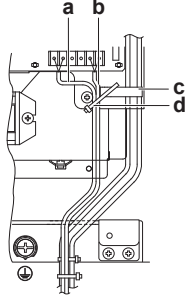
15 Electrical installation

(a) Knockout hole has to be removed. Close the hole to avoid small animals or dirt from entering.

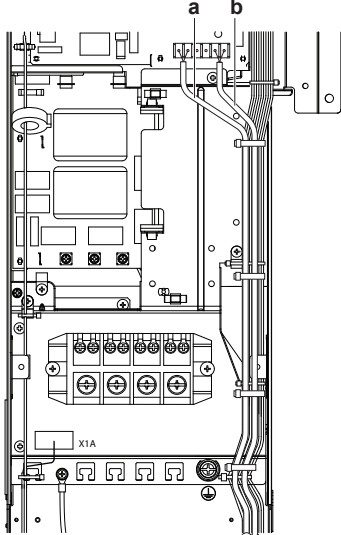
8~12 HP



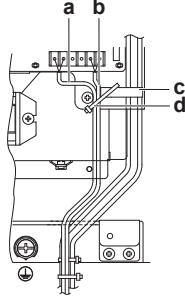
14~20 HP



5~12 HP



14~20 HP



Fix to the indicated plastic brackets using field supplied clamping material.

- a Wiring between the units (indoor-outdoor) (F1/F2 left)
- b Internal transmission wiring (Q1/Q2)
- c Plastic bracket
- d Field supplied clamps

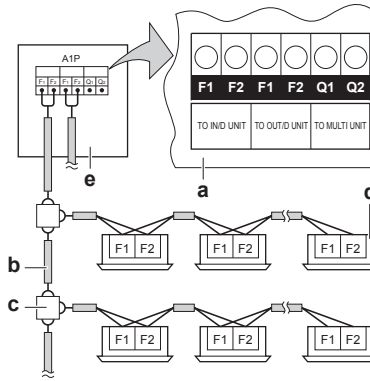
15.5 To connect the transmission wiring

The wiring from the indoor units must be connected to the F1/F2 (In-Out) terminals on the PCB in the outdoor unit.

Tightening torque for the transmission wiring terminal screws:

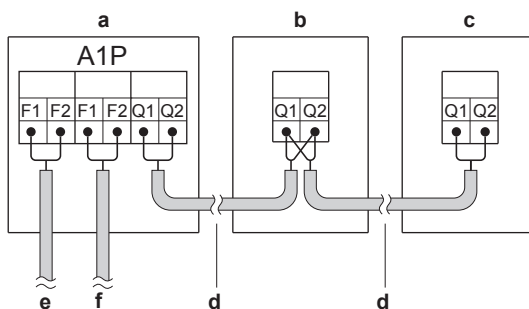
Screw size	Tightening torque (N·m)
M3.5 (A1P)	0.8~0.96

In case of single outdoor unit installation



- a Outdoor unit PCB (A1P)
- b Use the conductor of sheathed wire (2 wire) (no polarity)
- c Terminal board (field supply)
- d Indoor unit
- e Outdoor unit

In case of multi outdoor unit installation



- a Unit A (master outdoor unit)
- b Unit B (slave outdoor unit)
- c Unit C (slave outdoor unit)
- d Master/slave transmission (Q1/Q2)
- e Outdoor/indoor transmission (F1/F2)
- f Outdoor unit/other system transmission (F1/F2)

i INFORMATION

U-series units cannot share the same refrigerant circuit with T-series units. However, electrically, U-series units and T-series units can be connected via F1/F2.

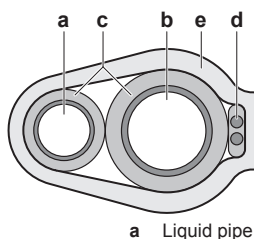
- The interconnecting wiring between the outdoor units in the same piping system must be connected to the Q1/Q2 (Out Multi) terminals. Connecting the wires to the F1/F2 terminals results in system malfunction.
- The wiring for the other systems must be connected to the F1/F2 (Out-Out) terminals of the PCB in the outdoor unit to which the interconnecting wiring for the indoor units is connected.
- The base unit is the outdoor unit to which the interconnecting wiring for the indoor units is connected.

! NOTICE

Mind the polarity of the transmission wiring.

15.6 To finish the transmission wiring

After installing the transmission wires inside the unit, wrap them along with the on-site refrigerant pipes using finishing tape, as shown in figure below.



a Liquid pipe

- b Gas pipe
- c Insulator
- d Transmission wiring (F1/F2)
- e Finishing tape

15.7 To route and fix the power supply



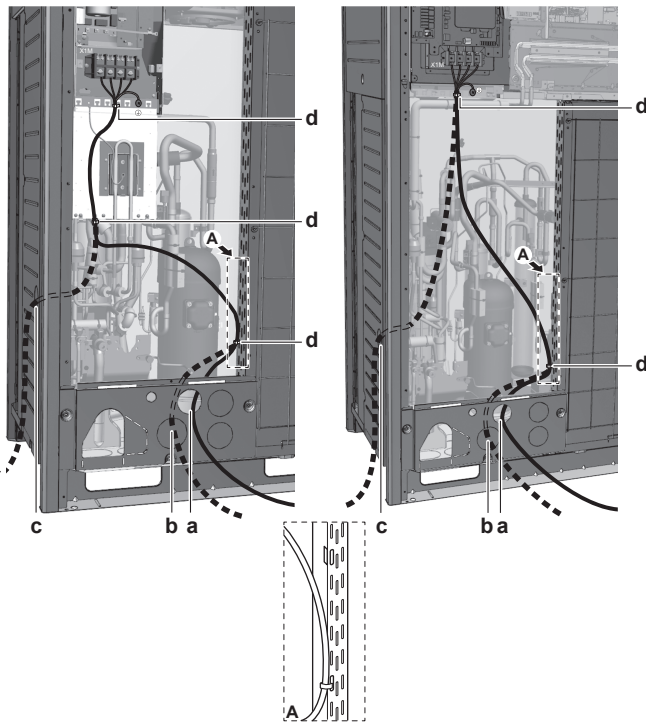
NOTICE

When routing earth wires, secure clearance of 25 mm or more away from compressor lead wires. Failure to observe this instruction properly may adversely affect correct operation of other units connected to the same earth.

The power supply wiring can be routed from the front and left side. Fix it to the lower mounting hole.

8~12 HP

14~20 HP



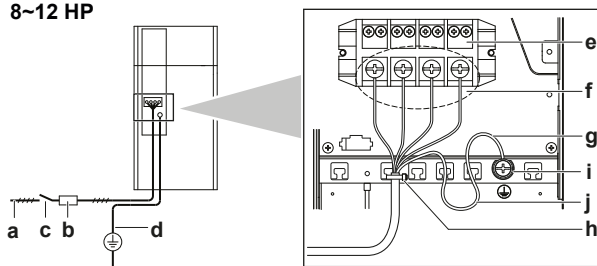
- a Power supply (possibility 1)^(a)
- b Power supply (possibility 2)^(a)
- c Power supply (possibility 3)^(a). Use conduit.
- d Tie wrap

(a) Knockout hole has to be removed. Close the hole to avoid small animals or dirt from entering.

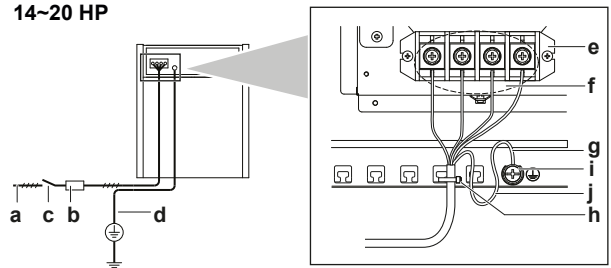
15.8 To connect the power supply

The power supply MUST be clamped to the plastic bracket using field supplied clamp material to prevent external force being applied to the terminal. The green and yellow striped wire MUST be used for earthing only.

8~12 HP



14~20 HP



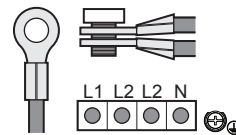
- a Power supply (380~415 V, 3N~ 50 Hz)
- b Fuse
- c Earth leakage protector
- d Earth wire
- e Power supply terminal block
- f Connect each power wire: RED to L1, WHT to L2, BLK to L3 and BLU to N
- g Earth wire (GRN/YLW)
- h Tie wrap
- i Cup washer
- j When connecting the earth wire, it is recommended to perform curling.

Multiple outdoor units

To connect the power supply for multiple outdoor units to each other, ring tongues have to be used. No bare cable can be used.

In that case, the ring washer that is installed by default should be removed.

Attach both cables to the power supply terminal as indicated below:



15.9 To check the insulation resistance of the compressor



NOTICE

If, after installation, refrigerant accumulates in the compressor, the insulation resistance over the poles can drop, but if it is at least 1 MΩ, then the unit will not break down.

- Use a 500 V mega-tester when measuring insulation.
- Do NOT use a mega-tester for low voltage circuits.

1 Measure the insulation resistance over the poles.

If	Then
≥1 MΩ	Insulation resistance is OK. This procedure is finished.
<1 MΩ	Insulation resistance is not OK. Go to the next step.

2 Turn ON the power and leave it on for 6 hours.

Result: The compressor will heat up and evaporate any refrigerant in the compressor.

3 Measure the insulation resistance again.

16 Configuration



INFORMATION

It is important that all information in this chapter is read sequentially by the installer and that the system is configured as applicable.



DANGER: RISK OF ELECTROCUTION

16 Configuration

16.1 Making field settings

16.1.1 About making field settings

To continue the configuration of the VRV IV replacement heat pump system, it is required to give some input to the PCB of the unit. This chapter will describe how manual input is possible by operating the push buttons/DIP switches on the PCB and reading the feedback from the 7-segment displays.

Making settings is done via the master outdoor unit.

Next to making field settings it is also possible to confirm the current operation parameters of the unit.

Push buttons and DIP switches

Item	Description
Push buttons	By operating the push buttons it is possible to: <ul style="list-style-type: none"> Perform special actions (automatic refrigerant charge, testrun, etc). Perform field settings (demand operation, low noise, etc).
DIP switches	By operating the DIP switches it is possible to: <ul style="list-style-type: none"> DS1 (1): COOL/HEAT selector (refer to the manual of the cool/heat selector switch). OFF=not installed=factory setting DS1 (2~4): NOT USED. DO NOT CHANGE THE FACTORY SETTING. DS2 (1~4): NOT USED. DO NOT CHANGE THE FACTORY SETTING.

See also:

- "Field setting components" [p 34]
- "To access the field setting components" [p 34]

PC configurator

For VRV IV replacement heat pump system it is alternatively possible to make several commissioning field settings through a personal computer interface (for this, option EKPCAB* is required). The installer can prepare the configuration (off-site) on PC and afterwards upload the configuration to the system.

See also: "To connect the PC configurator to the outdoor unit" [p 36].

Mode 1 and 2

Mode	Description
Mode 1 (monitoring settings)	Mode 1 can be used to monitor the current situation of the outdoor unit. Some field setting contents can be monitored as well.
Mode 2 (field settings)	Mode 2 is used to change the field settings of the system. Consulting the current field setting value and changing the current field setting value is possible. In general, normal operation can be resumed without special intervention after changing field settings. Some field settings are used for special operation (e.g., 1 time operation, recovery/vacuuming setting, manual adding refrigerant setting, etc.). In such a case, it is required to abort the special operation before normal operation can restart. It will be indicated in below explanations.

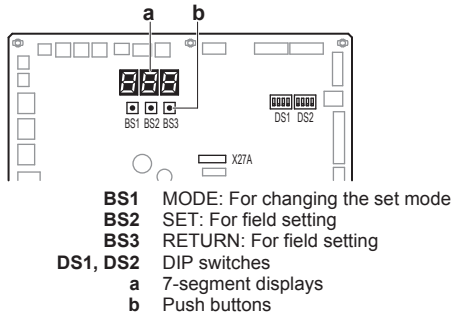
See also:

- "To access mode 1 or 2" [p 35]
- "To use mode 1" [p 35]

- "To use mode 2" [p 35]
- "Mode 1: Monitoring settings" [p 35]
- "Mode 2: Field settings" [p 36]

16.1.2 Field setting components

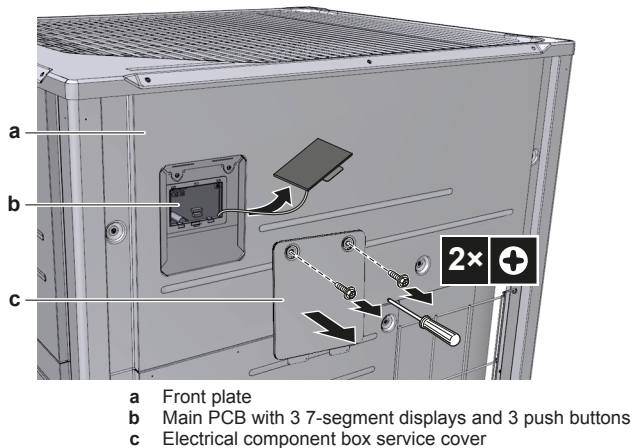
Location of the 7-segment displays, buttons and DIP switches:



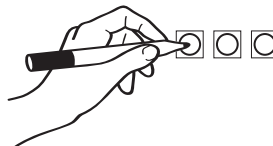
16.1.3 To access the field setting components

It is not required to open the complete electronic component box to access the push buttons on the PCB and read out the 7-segment display(s).

To access you can remove the front inspection cover of the front plate (see figure). Now you can open the inspection cover of the electrical component box front plate (see figure). You can see the three push buttons and the three 7-segment displays and DIP switches.



Operate the switches and push buttons with an insulated stick (such as a closed ball-point pen) to avoid touching of live parts.



Make sure to re-attach the inspection cover into the electronic component box cover and to close the front plate's inspection cover after the job is finished. During operation of the unit the front plate of the unit should be attached. Settings are still possible to be made through the inspection opening.



NOTICE

Make sure that all outside panels, except for the service cover on the electrical component box, are closed while working.

Close the lid of the electrical component box firmly before turning on the power.

16.1.4 To access mode 1 or 2

Initialisation: default situation




NOTICE

Be sure to turn ON the power 6 hours before operation in order to have power running to the crankcase heater and to protect the compressor.

Turn on the power supply of the outdoor unit and all indoor units. When the communication between indoor units and outdoor unit(s) is established and normal, the 7-segment display indication state will be as below (default situation when shipped from factory).

Stage	Display
When turning on the power supply: flashing as indicated. First checks on power supply are executed (1~2 min).	
When no trouble occurs: lighted as indicated (8~10 min).	
Ready for operation: blank display indication as indicated.	

7-segment display indications:

-  Off
-  Blinking
-  On

In case of malfunction, the malfunction code is displayed on the indoor unit user interface and the outdoor unit 7-segment display. Solve the malfunction code accordingly. The communication wiring should be checked at first.

Access

BS1 is used to switch between the default situation, mode 1 and mode 2.

Access	Action
Default situation	
Mode 1	Push BS1 one time. 7-segment display indication changes to: Push BS1 one more time to return to the default situation.
Mode 2	Push BS1 for at least 5 seconds. 7-segment display indication changes to: Push BS1 one more time (shortly) to return to the default situation.

INFORMATION

If you get confused in the middle of the process, push BS1 to return to the default situation (no indication on 7-segment displays: blank, refer to "To access mode 1 or 2" [p. 35]).

16.1.5 To use mode 1

Mode 1 is used to set basic settings and to monitor the status of the unit.

What	How
Changing and accessing the setting in mode 1	Once mode 1 is selected (push BS1 one time), you can select the wanted setting. It is done by pushing BS2. Accessing the selected setting's value is done by pushing BS3 one time.

What	How
To quit and return to the initial status	Press BS1.

16.1.6 To use mode 2

The master unit should be used to input field settings in mode 2.

Mode 2 is used to set field settings of the outdoor unit and system.

What	How
Changing and accessing the setting in mode 2	Once mode 2 is selected (push BS1 for more than 5 seconds), you can select the wanted setting. It is done by pushing BS2. Accessing the selected setting's value is done by pushing BS3 1 time.
To quit and return to the initial status	Press BS1.
Changing the value of the selected setting in mode 2	<ul style="list-style-type: none"> ▪ Once mode 2 is selected (push BS1 for more than 5 seconds) you can select the wanted setting. It is done by pushing BS2. ▪ Accessing the selected setting's value is done by pushing BS3 1 time. ▪ Now BS2 is used to select the required value of the selected setting. ▪ When the required value is selected, you can define the change of value by pushing BS3 1 time. ▪ Press BS3 again to start operation according to the chosen value.

16.1.7 Mode 1: Monitoring settings

[1-0]

Shows whether the unit you check is a master, slave 1 or slave 2 unit.

The master unit should be used to input field settings in mode 2.

[1-0]	Description
No indication	Undefined situation.
0	Outdoor unit is master unit.
1	Outdoor unit is slave 1 unit.
2	Outdoor unit is slave 2 unit.

[1-1]

Shows the status of low noise operation.

[1-1]	Description
0	Unit is currently not operating under low noise restrictions.
1	Unit is currently operating under low noise restrictions.

[1-2]

Shows the status of power consumption limitation operation.

[1-2]	Description
0	Unit is currently not operating under power consumption limitations.
1	Unit is currently operating under power consumption limitation.

[1-5] [1-6]

Shows:

16 Configuration

- [1-5]: The current T_e target parameter position.
- [1-6]: The current T_c target parameter position.

[1-10]

Shows the total number of connected indoor units.

[1-13]

Shows the total number of connected outdoor units (in case of multiple outdoor system).

[1-17] [1-18] [1-19]

Shows:

- [1-17]: The latest malfunction code.
- [1-18]: The 2nd last malfunction code.
- [1-19]: The 3rd last malfunction code.

[1-40] [1-41]

Shows:

- [1-40]: The current cooling comfort setting.
- [1-41]: The current heating comfort setting.

16.1.8 Mode 2: Field settings

[2-0]

Cool/Heat selection setting.

[2-0]	Description
0 (default)	Each individual outdoor unit can select Cool/Heat operation (by Cool/Heat selector if installed), or by defining master indoor user interface (see setting [2-83] and the operation manual).
1	Master unit decides Cool/Heat operation when outdoor units are connected in multiple system combination ^(a) .
2	Slave unit for Cool/Heat operation when outdoor units are connected in multiple system combination ^(a) .

^(a) It is necessary to use the optional external control adaptor for outdoor unit (DTA104A61/62). See the instruction delivered with the adaptor for further details.

[2-8]

T_e target temperature during cooling operation.

[2-8]	T_e target (°C)
0 (default)	Auto
2	6
3	7
4	8
5	9
6	10
7	11

[2-9]

T_c target temperature during heating operation.

[2-9]	T_c target (°C)
0 (default)	Auto
1	41
3	43
6	46

[2-20]

Manual additional refrigerant charge.

[2-20]	Description
0 (default)	Deactivated.
1	Activated. To stop the manual additional refrigerant charge operation (when the required additional refrigerant amount is charged), push BS3. If this function was not aborted by pushing BS3, the unit will stop its operation after 30 minutes. If 30 minutes was not sufficient to add the needed refrigerant amount, the function can be reactivated by changing the field setting again.

[2-35]

Height difference setting.

[2-35]	Description
0	In case the outdoor unit is installed in the lowest position (indoor units are installed on a higher position than outdoor units) and the height difference between the highest indoor unit and the outdoor unit exceeds 40 m, the setting [2-35] should be changed to 0.
1 (default)	—

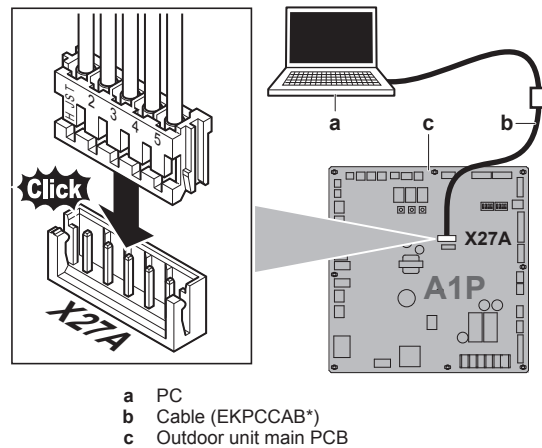
[2-73]

When the system is using non-R410A VRV DX indoor units, the system needs to get the proper input according to the table below.

[2-73]	Description
0 (default)	R410A VRV DX indoor units
1	Non-R410A VRV DX indoor units

- A combination of R410A and non-R410A VRV DX indoor units cannot be used.
- The list of compatible non-R410A indoor units is restricted to the models mentioned in Possible combinations of indoor units.

16.1.9 To connect the PC configurator to the outdoor unit



17 Commissioning



NOTICE

General commissioning checklist. Next to the commissioning instructions in this chapter, a general commissioning checklist is also available on the Daikin Business Portal (authentication required).

The general commissioning checklist is complementary to the instructions in this chapter and can be used as a guideline and reporting template during the commissioning and hand-over to the user.

After installation and once the field settings are defined, the installer is obliged to verify correct operation. Therefore a test run **MUST** be performed according to the procedures described below.

17.1 Precautions when commissioning



CAUTION

Do NOT perform the test operation while working on the indoor units.

When performing the test operation, NOT only the outdoor unit, but the connected indoor unit will operate as well. Working on an indoor unit while performing a test operation is dangerous.



NOTICE

Be sure to turn ON the power 6 hours before operation in order to have power running to the crankcase heater and to protect the compressor.

During test operation, the outdoor unit and the indoor units will start up. Make sure that the preparations of all indoor units are finished (field piping, electrical wiring, air purge, ...). See installation manual of the indoor units for details.

17.2 Checklist before commissioning

After the installation of the unit, first check the items listed below. Once all checks are fulfilled, the unit must be closed. Power-up the unit after it is closed.

<input type="checkbox"/>	You read the complete installation and operation instructions, as described in the installer and user reference guide .
<input type="checkbox"/>	Installation Check that the unit is properly installed, to avoid abnormal noises and vibrations when starting up the unit.
<input type="checkbox"/>	Field wiring Be sure that the field wiring has been carried out according to the instructions described in the chapter Connecting the electrical wiring, according to the wiring diagrams and according to the applicable legislation.
<input type="checkbox"/>	Power supply voltage Check the power supply voltage on the local supply panel. The voltage MUST correspond to the voltage on the nameplate of the unit.
<input type="checkbox"/>	Earth wiring Be sure that the earth wires have been connected properly and that the earth terminals are tightened.
<input type="checkbox"/>	Insulation test of the main power circuit Using a megatester for 500 V, check that the insulation resistance of 2 MΩ or more is attained by applying a voltage of 500 V DC between power terminals and earth. NEVER use the megatester for the transmission wiring.

<input type="checkbox"/>	Fuses, circuit breakers, or protection devices Check that the fuses, circuit breakers, or the locally installed protection devices are of the size and type specified in the chapter " 15.2 Safety device requirements " [▶ 31]. Be sure that neither a fuse nor a protection device has been bypassed.
<input type="checkbox"/>	Internal wiring Visually check the electrical component box and the inside of the unit for loose connections or damaged electrical components.
<input type="checkbox"/>	Pipe size and pipe insulation Be sure that correct pipe sizes are installed and that the insulation work is properly executed.
<input type="checkbox"/>	Stop valves Be sure that the stop valves are open on both liquid and gas side.
<input type="checkbox"/>	Damaged equipment Check the inside of the unit for damaged components or squeezed pipes.
<input type="checkbox"/>	Refrigerant leak Check the inside of the unit on refrigerant leakage. If there is a refrigerant leak, try to repair the leak. If the repair is unsuccessful, call your local dealer. Do not touch any refrigerant which has leaked out from refrigerant piping connections. This may result in frostbite.
<input type="checkbox"/>	Oil leak Check the compressor for oil leakage. If there is an oil leak, try to repair the leak. If the repairing is unsuccessful, call your local dealer.
<input type="checkbox"/>	Air inlet/outlet Check that the air inlet and outlet of the unit is NOT obstructed by paper sheets, cardboard, or any other material.
<input type="checkbox"/>	Additional refrigerant charge The amount of refrigerant to be added to the unit shall be written on the included "Added refrigerant" plate and attached to the rear side of the front cover.
<input type="checkbox"/>	Installation date and field setting Be sure to keep record of the installation date on the sticker on the rear of the upper front panel according to EN60335-2-40 and keep record of the contents of the field setting(s).

17.3 About the test run



NOTICE

Make sure to carry out the test run after the first installation. Otherwise, the malfunction code *U3* will be displayed on the user interface and normal operation or individual indoor unit test run cannot be carried out.

The procedure below describes the test operation of the complete system. This operation checks and judges following items:

- Check for incorrect wiring (communication check with indoor units).
- Check of the stop valves opening.
- Judgement of piping length.
- Abnormalities on indoor units cannot be checked for each unit separately. After the test operation is finished, check the indoor units one by one by performing a normal operation using the user interface. Refer to the indoor unit installation manual for more details concerning the individual test run.

18 Hand-over to the user

INFORMATION

- It may take 10 minutes to achieve a uniform refrigerant state before the compressor starts.
- During the test operation, the refrigerant running sound or the magnetic sound of a solenoid valve may become loud and the display indication may change. These are not malfunctions.

17.4 To perform a test run

- Close all front panels in order to not let it be the cause of misjudgement (except the electrical component box inspection opening service cover).
- Make sure all field settings you want are set; see "16.1 Making field settings" [▶ 34].
- Turn ON the power to the outdoor unit and the connected indoor units.

NOTICE

Be sure to turn ON the power 6 hours before operation in order to have power running to the crankcase heater and to protect the compressor.

- Make sure the default (idle) situation is existing; see "To access mode 1 or 2" [▶ 35]. Push BS2 for 5 seconds or more. The unit will start test operation.

Result: The test operation is automatically carried out, the outdoor unit display will indicate "E3" and the indication "Test operation" and "Under centralised control" will display on the user interface of indoor units.

Steps during the automatic system test run procedure:

Step	Description
E01	Control before start up (pressure equalisation)
E02	Cooling start up control
E03	Cooling stable condition
E04	Communication check
E05	Stop valve check
E06	Pipe length check
E07	Refrigerant amount check
E09	Pump down operation
E10	Unit stop

Note: During the test operation, it is not possible to stop the unit operation from a user interface. To abort the operation, press BS3. The unit will stop after ±30 seconds.

- Check the test operation results on the outdoor unit 7-segment display.

Completion	Description
Normal completion	No indication on the 7-segment display (idle).
Abnormal completion	Indication of malfunction code on the 7-segment display. Refer to "17.5 Correcting after abnormal completion of the test run" [▶ 38] to take actions for correcting the abnormality. When the test operation is fully completed, normal operation will be possible after 5 minutes.

19.2 Error codes: Overview

In case other error codes appear, contact your dealer.

17.5 Correcting after abnormal completion of the test run

The test operation is only completed if there is no malfunction code displayed on the user interface or outdoor unit 7-segment display. In case of a displayed malfunction code, perform correcting actions as explained in the malfunction code table. Carry out the test operation again and confirm that the abnormality is properly corrected.

INFORMATION

Refer to the installation manual of the indoor unit for detailed malfunction codes related to indoor units.

18 Hand-over to the user

Once the test run is finished and the unit operates properly, please make sure the following is clear for the user:

- Make sure that the user has the printed documentation and ask him/her to keep it for future reference. Inform the user that he can find the complete documentation at the URL mentioned earlier in this manual.
- Explain the user how to properly operate the system and what to do in case of problems.
- Show the user what to do for the maintenance of the unit.

19 Troubleshooting

19.1 Solving problems based on error codes

In case of a displayed malfunction code, perform correcting actions as explained in the malfunction code table.

After correcting the abnormality, press BS3 to reset the malfunction code and retry operation.

The malfunction code which is displayed on the outdoor unit will indicate a main malfunction code and a sub code. The sub code indicates more detailed information about the malfunction code. The malfunction code will be displayed intermittent.

Example:

Code	Example
Main code	E3
Sub code	-01

With an interval of 1 second, the display will switch between main code and sub code.

Main code	Sub code			Cause	Solution
	Master	Slave 1	Slave 2		
E3	-01	-03	-05	High pressure switch was activated (S1PH, S2PH, S3PH, S4PH) - A1P (X2A, X3A, X4A)	Check stop valve situation or abnormalities in (field) piping or airflow over air cooled coil.
	-02	-04	-06	<ul style="list-style-type: none"> ▪ Refrigerant overcharge ▪ Stop valve closed 	<ul style="list-style-type: none"> ▪ Check refrigerant amount+recharge unit. ▪ Open stop valves
	-13	-14	-15	Stop valve closed (liquid)	Open liquid stop valve.
		-18		<ul style="list-style-type: none"> ▪ Refrigerant overcharge ▪ Stop valve closed 	<ul style="list-style-type: none"> ▪ Check refrigerant amount+recharge unit. ▪ Open stop valves.
E4	-01	-02	-03	Low pressure malfunction: <ul style="list-style-type: none"> ▪ Stop valve closed ▪ Refrigerant shortage ▪ Indoor unit malfunction 	<ul style="list-style-type: none"> ▪ Open stop valves. ▪ Check refrigerant amount+recharge unit. ▪ Check the user interface's display or transmission wiring between the outdoor unit and the indoor unit.
E9	-01	-05	-08	Electronic expansion valve malfunction (main) (Y1E) - A1P (X21A)	Check connection on PCB or actuator.
	-04	-07	-10	Electronic expansion valve malfunction (liquid cooling) (Y3E) - A1P (X23A)	Check connection on PCB or actuator.
	-03	-06	-09	Electronic expansion valve malfunction (subcool) (Y2E) - A1P (X22A)	Check connection on PCB or actuator
	-26	-27	-28	Electronic expansion valve malfunction (storage vessel) (Y4E) - A1P (X25A)	Check connection on PCB or actuator
F3	-01	-03	-05	Discharge temperature too high (R21T/R22T): <ul style="list-style-type: none"> ▪ Stop valve closed ▪ Refrigerant shortage 	<ul style="list-style-type: none"> ▪ Open stop valves. ▪ Check refrigerant amount+recharge unit.
	-20	-21	-22	Compressor casing temperature too high (R8T/R9T): <ul style="list-style-type: none"> ▪ Stop valve closed ▪ Refrigerant shortage 	<ul style="list-style-type: none"> ▪ Open stop valves. ▪ Check refrigerant amount+recharge unit.
F6		-02		<ul style="list-style-type: none"> ▪ Refrigerant overcharge ▪ Stop valve closed 	<ul style="list-style-type: none"> ▪ Check refrigerant amount+recharge unit. ▪ Open stop valves.
H9	-01	-02	-03	Ambient temperature sensor malfunction (R1T) - A1P (X18A)	Check connection on PCB or actuator.

19 Troubleshooting

Main code	Sub code			Cause	Solution
	Master	Slave 1	Slave 2		
J3	-16	-22	-28	Discharge temperature sensor malfunction (R21T): open circuit - A1P (X19A)	Check connection on PCB or actuator.
	-17	-23	-29	Discharge temperature sensor malfunction (R21T): short circuit - A1P (X19A)	Check connection on PCB or actuator.
	-18	-24	-30	Discharge temperature sensor malfunction (R22T): open circuit - A1P (X19A)	Check connection on PCB or actuator.
	-19	-25	-31	Discharge temperature sensor malfunction (R22T): short circuit - A1P (X19A)	Check connection on PCB or actuator.
	-47	-49	-51	Compressor casing temperature sensor malfunction (R8T): open circuit - A1P (X19A)	Check connection on PCB or actuator.
	-48	-50	-52	Compressor casing temperature sensor malfunction (R8T): short circuit - A1P (X19A)	Check connection on PCB or actuator.
	-38	-42	-44	Compressor casing temperature sensor malfunction (R9T): open circuit - A1P (X19A)	Check connection on PCB or actuator.
	-39	-43	-45	Compressor casing temperature sensor malfunction (R9T): short circuit - A1P (X19A)	Check connection on PCB or actuator.
J5	-01	-03	-05	Suction temperature sensor malfunction (R3T) - A1P (X30A)	Check connection on PCB or actuator.
J6	-01	-02	-03	De-icing temperature sensor malfunction (R7T) - A1P (X30A)	Check connection on PCB or actuator.
J7	-06	-07	-08	Liquid temperature sensor (after subcool HE) malfunction (R5T) - A1P (X30A)	Check connection on PCB or actuator.
J8	-01	-02	-03	Liquid temperature sensor (coil) malfunction (R4T) - A1P (X30A)	Check connection on PCB or actuator.
J9	-01	-02	-03	Gas temperature sensor (after subcool HE) malfunction (R6T) - A1P (X30A)	Check connection on PCB or actuator.
JR	-06	-08	-10	High pressure sensor malfunction (S1NPH): open circuit - A1P (X32A)	Check connection on PCB or actuator.
	-07	-09	-11	High pressure sensor malfunction (S1NPH): short circuit - A1P (X32A)	Check connection on PCB or actuator.
JC	-06	-08	-10	Low pressure sensor malfunction (S1NPL): open circuit - A1P (X31A)	Check connection on PCB or actuator.
	-07	-09	-11	Low pressure sensor malfunction (S1NPL): short circuit - A1P (X31A)	Check connection on PCB or actuator.
LC	-14			Transmission outdoor unit - inverter: INV1 transmission trouble - A1P (X20A, X28A, X40A)	Check connection.
	-19			Transmission outdoor unit - inverter: FAN1 transmission trouble - A1P (X20A, X28A, X40A)	Check connection.
	-24			Transmission outdoor unit - inverter: FAN2 transmission trouble - A1P (X20A, X28A, X40A)	Check connection.
	-30			Transmission outdoor unit - inverter: INV2 transmission trouble - A1P (X20A, X28A, X40A)	Check connection.
P1	-01	-02	-03	INV1 unbalanced power supply voltage	Check if power supply is within range.
	-07	-08	-09	INV2 unbalanced power supply voltage	Check if power supply is within range.

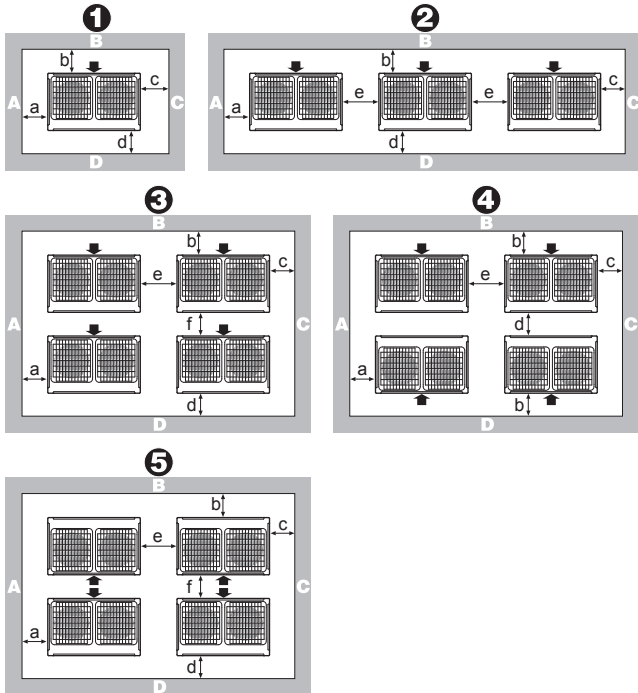
Main code	Sub code			Cause	Solution
	Master	Slave 1	Slave 2		
U1	-01	-05	-07	Reversed power supply phase malfunction	Correct phase order.
	-04	-06	-08	Reversed power supply phase malfunction	Correct phase order.
U2	-01	-08	-11	INV1 voltage power shortage	Check if power supply is within range.
	-02	-09	-12	INV1 power phase loss	Check if power supply is within range.
	-22	-25	-28	INV2 voltage power shortage	Check if power supply is within range.
	-23	-26	-29	INV2 power phase loss	Check if power supply is within range.
U3		-03		Malfunction code: System test run not yet executed (system operation not possible)	Execute system test run.
U4		-01		Faulty wiring to Q1/Q2 or indoor - outdoor	Check (Q1/Q2) wiring.
		-03		Faulty wiring to Q1/Q2 or indoor - outdoor	Check (Q1/Q2) wiring.
		-04		System test run abnormal ending	Execute test run again.
U7		-01		Warning: faulty wiring to Q1/Q2	Check Q1/Q2 wiring.
		-02		Malfunction code: faulty wiring to Q1/Q2	Check Q1/Q2 wiring.
		-11		<ul style="list-style-type: none"> ▪ Too many indoor units are connected to F1/F2 line ▪ Bad wiring between outdoor and indoor units 	Check indoor unit amount and total capacity connected.
U9		-01		System mismatch. Wrong type of indoor units combined (R410A, R407C, RA, Hydrobox, etc) Indoor unit malfunction	Check if other indoor units have malfunction and confirm indoor unit mix is allowed.
UR		-18		Connection malfunction over indoor units or type mismatch (R410A, R407C, RA, Hydrobox, etc)	Check if other indoor units have malfunction and confirm indoor unit mix is allowed.
		-31		Wrong unit combination (multi system)	Check if unit types are compatible.
		-49		Wrong unit combination (multi system)	Check if unit types are compatible.
UH		-01		Auto address malfunction (inconsistency)	Check if transmission wired unit amount matches with powered unit amount (by monitor mode) or wait till initialisation is finished.
UF		-01		Auto address malfunction (inconsistency)	Check if transmission wired unit amount matches with powered unit amount (by monitor mode) or wait till initialisation is finished.
		-05		Stop valve closed or wrong (during system test run)	Open stop valves.
Auto charging related					
P2		—		Unusual low pressure on suction line	Close valve A immediately. Push BS1 to reset. Check following items before retrying autocharge procedure: <ul style="list-style-type: none"> ▪ Check if the gas side stop valve is opened correctly. ▪ Check if the valve of the refrigerant cylinder is opened. ▪ Check if the air inlet and outlet of the indoor unit are not obstructed.
P8		—		Freeze-up prevention indoor unit	Close valve A immediately. Push BS1 to reset. Retry autocharge procedure.
PE		—		Automatic charging nearly finished	Prepare for autocharge stopping.
P9		—		Automatic charging finished	Finish autocharge mode.

20 Technical data

- A **subset** of the latest technical data is available on the regional Daikin website (publicly accessible).
- The **full set** of latest technical data is available on the Daikin Business Portal (authentication required).

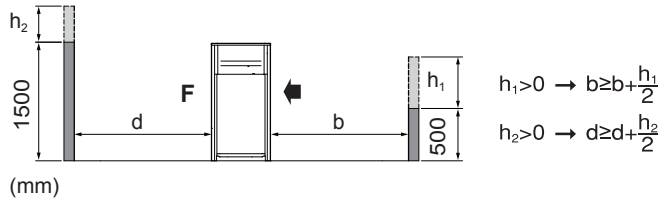
20.1 Service space: Outdoor unit

Make sure the space around the unit is adequate for servicing and the minimum space for air inlet and air outlet is available (refer to the figure below and choose one of the possibilities).



Layout	A+B+C+D		A+B
	Possibility 1	Possibility 2	
1	a ≥ 10 mm b ≥ 300 mm c ≥ 10 mm d ≥ 500 mm	a ≥ 50 mm b ≥ 100 mm c ≥ 50 mm d ≥ 500 mm	a ≥ 200 mm b ≥ 300 mm
2	a ≥ 10 mm b ≥ 300 mm c ≥ 10 mm d ≥ 500 mm e ≥ 20 mm	a ≥ 50 mm b ≥ 100 mm c ≥ 50 mm d ≥ 500 mm e ≥ 100 mm	a ≥ 200 mm b ≥ 300 mm e ≥ 400 mm
3	a ≥ 10 mm b ≥ 300 mm c ≥ 10 mm d ≥ 500 mm e ≥ 20 mm f ≥ 600 mm	a ≥ 50 mm b ≥ 100 mm c ≥ 50 mm d ≥ 500 mm e ≥ 100 mm f ≥ 500 mm	—
4	a ≥ 10 mm b ≥ 300 mm c ≥ 10 mm d ≥ 500 mm e ≥ 20 mm	a ≥ 50 mm b ≥ 100 mm c ≥ 50 mm d ≥ 500 mm e ≥ 100 mm	—

Layout	A+B+C+D		A+B
	Possibility 1	Possibility 2	
5	a ≥ 10 mm b ≥ 500 mm c ≥ 10 mm d ≥ 500 mm e ≥ 20 mm f ≥ 900 mm	a ≥ 50 mm b ≥ 500 mm c ≥ 50 mm d ≥ 500 mm e ≥ 100 mm f ≥ 600 mm	—



ABCD Sides along the installation site with obstacles
 F Front side
 Suction side

- In case of an installation site where sides A+B+C+D have obstacles, the wall heights of sides A+C have no impact on service space dimensions. Refer to the figure above for impact of wall heights of sides B+D on service space dimensions.
- In case of an installation site where only the sides A+B have obstacles, the wall heights have no influence on any indicated service space dimensions.
- The installation space required on these drawings are for full load heating operation without considering possible ice accumulation. If the location of the installation is in a cold climate, then all dimensions above should be >500 mm to avoid accumulation of ice in between the outdoor units.

i INFORMATION

The service space dimensions in above figure are based on cooling operation at 35°C ambient temperature (standard conditions).

i INFORMATION

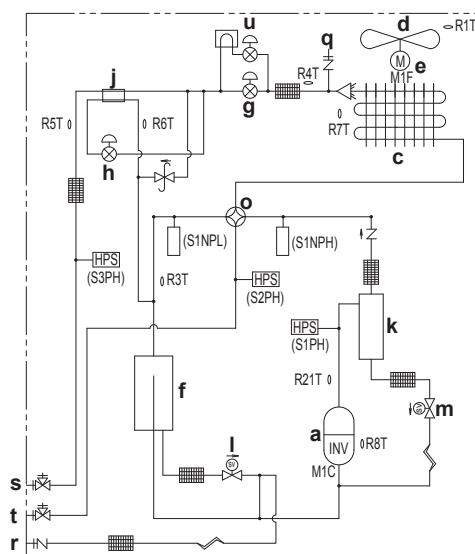
Further specifications can be found in the technical engineering data.

20.2 Piping diagram: Outdoor unit

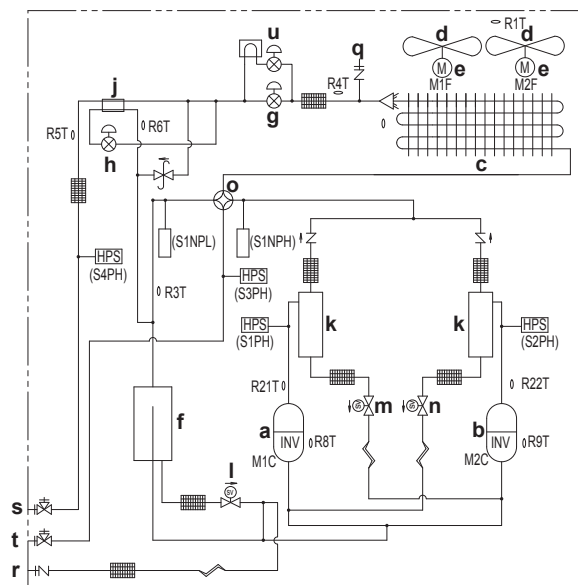
i INFORMATION

For a legend explaining the figures below, refer to the end of this topic.

Piping diagram: RXYQQ8~12



Piping diagram: RXYQQ14~20



- a Compressor (M1C)
- b Compressor (M2C)
- c Heat exchanger
- d Fan
- e Fan motor (M1F, M2F)
- f Accumulator
- g Expansion valve, main (Y1E)
- h Expansion valve, subcool heat exchanger (Y2E)
- i Expansion valve, storage vessel (Y3E)
- j Subcool heat exchanger
- k Oil separator
- l Solenoid valve, oil accumulator (Y2S)
- m Solenoid valve, oil1 (Y3S)
- n Solenoid valve, oil2 (Y4S)
- o 4-way valve, main (Y1S)
- p 4-way valve, sub (Y5S)
- q Service port
- r Service port, refrigerant charge
- s Stop valve, liquid
- t Stop valve, gas
- u Expansion valve, liquid cooling (Y3E)

20.3 Wiring diagram: Outdoor unit

Refer to the wiring diagram sticker on the unit. The abbreviations used are listed below:

i INFORMATION

The wiring diagram on the outdoor unit is only for the outdoor unit. For the indoor unit or optional electrical components, refer to the wiring diagram of the indoor unit.

- 1 This wiring diagram applies only to the outdoor unit.
- 2 Symbols (see below).
- 3 When using the optional adapter, refer to the installation manual of the optional adapter
- 4 For connection wiring to indoor-outdoor transmission F1-F2, outdoor-outdoor transmission F1-F2, outdoor-multi transmission Q1-Q2, refer to the installation manual.
- 5 How to use BS1~BS3 switch, refer to the "Service Precaution" label on the electrical component box cover.
- 6 When operating, do NOT short-circuit the protection devices (S1PH).
- 7 Only for RYYQ model
- 8 Only for RYYQ/RYYMQ model
- 9 For 8~12 HP: Connector X1A (M1F) is white, connector X2A (M2F) is red.
- 9 For 14~20 HP: Colours (see below).
- 10 Colours (see below).

Symbols:

- Field wiring
- Terminal block
- ⊞ Connector
- Terminal
- ⊕ Protective earth
- ⊕ Noiseless earth
- Earth wiring
- Field supply
- ▭ PCB
- ⊞ Switch box
- ⊞ Option

Colours:

- BLK Black
- RED Red
- BLU Blue
- WHT White
- GRN Green

Legend for wiring diagram 8~12 HP:

- A1P Printed circuit board (main)
- A2P Printed circuit board (noise filter)
- A3P Printed circuit board (inverter)
- A4P Printed circuit board (fan)
- A5P Printed circuit board (ABC I/P) (option)
- BS1~BS3 Push button switch (MODE, SET, RETURN) (A1P)
- C* (A3P) Capacitor
- DS1, DS2 DIP switch (A1P)
- E1HC Crankcase heater

20 Technical data

E3H	Drain pan heater (option)	Z*F (A2P, A5P)	Noise filter (with surge absorber)
F1U, F2U (A1P)	Fuse (T 3.15 A / 250 V)	Connectors for optional accessories:	
F3U	Field fuse	X10A	Connector (drainpan heater)
F101U (A4P)	Fuse	X37A	Connector (power adapter)
F401U, F403U (A2P)	Fuse	X66A	Connector (remote switching COOL/HEAT selector)
F601U, (A3P)	Fuse	Legend for wiring diagram 14~20 HP:	
HAP (A*P)	Pilot lamp (service monitor is green)	A1P	Printed circuit board (main)
K3R (A3P)	Magnetic relay	A2P, A5P	Printed circuit board (noise filter)
K4R (A1P)	Magnetic relay (Y1S)	A3P, A6P	Printed circuit board (inverter)
K5R (A1P)	Magnetic relay (Y2S)	A4P, A7P	Printed circuit board (fan)
K6R (A1P)	Magnetic relay (E3H)	A8P	Printed circuit board (ABC I/P) (option)
K7R (A1P)	Magnetic relay (E1HC)	BS1~BS3 (A1P)	Push button switch (MODE, SET, RETURN)
K9R (A1P)	Magnetic relay (Y3S)	C* (A3P, A6P)	Capacitor
L1R	Reactor	DS1 , DS2 (A1P)	DIP switch
M1C	Motor (compressor)	E1HC	Crankcase heater
M1F	Motor (fan)	E3H	Drain pan heater (option)
PS (A1P, A3P)	Switching power supply	F1U, F2U (A1P)	Fuse (T 3.15 A / 250 V)
Q1DI	Earth leakage circuit breaker (field supply)	F3U	Field fuse
Q1LD (A1P)	Earth current detector (field supply)	F101U (A4P, A7P)	Fuse
R24 (A4P)	Resistor (current sensor)	F401U, F403U (A2P, A5P)	Fuse
R300 (A3P)	Resistor (current sensor)	F601U, (A3P, A6P)	Fuse
R1T	Thermistor (air)	HAP (A*P)	Pilot lamp (service monitor is green)
R3T	Thermistor (accumulator)	K3R (A3P, A6P)	Magnetic relay
R4T	Thermistor (heat exchanger, liquid pipe)	K3R (A1P)	Magnetic relay (Y4S)
R5T	Thermistor (subcool liquid pipe)	K4R (A1P)	Magnetic relay (Y1S)
R6T	Thermistor (heat exchanger, gas pipe)	K5R (A1P)	Magnetic relay (Y2S)
R7T	Thermistor (heat exchanger, de-icer)	K6R (A1P)	Magnetic relay (E3H)
R8T	Thermistor (M1C body)	K7R (A1P)	Magnetic relay (E1HC)
R21T	Thermistor (M1C discharge)	K8R (A1P)	Magnetic relay (E2HC)
S1NPH	Pressure sensor (high)	K9R (A1P)	Magnetic relay (Y3S)
S1NPL	Pressure sensor (low)	L1R, L2R	Reactor
S1PH	Pressure switch (discharge)	M1C, M2C	Motor (compressor)
SEG1~SEG3 (A1P)	7-segment display	M1F, M2F	Motor (fan)
T1A	Current sensor	PS (A1P, A3P, A6P)	Switching power supply
V1D (A3P)	Diode	Q1DI	Earth leakage circuit breaker (field supply)
V1R (A3P, A4P)	Power module	Q1LD (A1P)	Earth current detector (field supply)
X*A	Connector	R24 (A4P, A7P)	Resistor (current sensor)
X1M (A1P)	Terminal block (control)	R300 (A3P, A6P)	Resistor (current sensor)
X1M (A5P)	Terminal block (power supply)(option)	R1T	Thermistor (air)
Y1E	Electronic expansion valve (main)	R3T	Thermistor (accumulator)
Y2E	Electronic expansion valve (sub-cool)	R4T	Thermistor (heat exchanger, liquid pipe)
Y3E	Electronic expansion valve (liquid cooling)	R5T	Thermistor (subcool liquid pipe)
Y1S	Solenoid valve (main)	R6T	Thermistor (heat exchanger, gas pipe)
Y2S	Solenoid valve (accumulator oil return)		
Y3S	Solenoid valve (oil 1)		
Z*C	Noise filter (ferrite core)		

R7T	Thermistor (heat exchanger, de-icer)
R8T, R9T	Thermistor (M1C, M2C body)
R21T, R22T	Thermistor (M1C, M2C discharge)
S1NPH	Pressure sensor (high)
S1NPL	Pressure sensor (low)
S1PH, S2PH	Pressure switch (discharge)
SEG1~SEG 3 (A1P)	7-segment display
T1A	Current sensor
V1D (A3P)	Diode
V1R (A3P, A4P, A6P, A7P)	Power module
X*A	Connector
X1M (A1P)	Terminal block (control)
X1M (A8P)	Terminal block (power supply)(option)
Y1E	Electronic expansion valve (main)
Y2E	Electronic expansion valve (sub-cool)
Y3E	Electronic expansion valve (liquid cooling)
Y1S	Solenoid valve (main)
Y2S	Solenoid valve (accumulator oil return)
Y3S	Solenoid valve (oil 1)
Y4S	Solenoid valve (oil 2)
Z*C	Noise filter (ferrite core)
Z*F (A2P)	Noise filter (with surge absorber)
Connectors for optional accessories:	
X10A	Connector (drainpan heater)
X37A	Connector (power adapter)
X66A	Connector (remote switching COOL/HEAT selector)

21 Disposal



NOTICE

Do NOT try to dismantle the system yourself: dismantling of the system, treatment of the refrigerant, oil and other parts MUST comply with applicable legislation. Units MUST be treated at a specialised treatment facility for reuse, recycling and recovery.





ERC



4P546221-1 B 0000000Y

Copyright 2018 Daikin

DAIKIN EUROPE N.V.

Zandvoordestraat 300, B-8400 Oostende, Belgium

4P546221-1B 2020.10