

PEA-M R32

Large Capacity Ceiling Concealed Ducted System

Power Inverter Heat Pump
(Three Phase)



The **PEA-M Power Inverter** large capacity ducted system offers high levels of design flexibility and energy efficiency for larger scale heating and cooling applications. The unique design allows the fan and coil sections to be split, facilitating installation where ceiling void space is limited. Working with extended lengths of ductwork through a 250Pa fan setting, the system is ideal for warehouse, atria and large retail applications.

Key Features & Benefits

- 100m pipe run, increasing application capability
- Full heating capacity down to -3°C
- Unit can be separated into two parts, allowing the coil section to be installed into a limited roof space
- PAR-41MAA controller enables effective energy consumption monitoring
- 'Backup and Rotate' feature reduces load on individual units and prolongs product life (requires PAR-41MAA controller)
- Ultimate ductwork flexibility through 5 static pressure settings up to 250Pa
- Pre-filter included as standard

R32

PEA-M - INDOOR UNITS		PEA-M200LA2	PEA-M250LA2
CAPACITY (kW)	Heating (nominal)	22.4 (7.1-25.0)	27.0 (7.3-31.0)
	Cooling (nominal)	19.0 (9.2-22.4)	22.0 (9.9-27.0)
	Heating (UK)	16.8 (5.3-18.8)	20.3 (5.5-23.3)
	Cooling (UK)	16.5 (8.0-19.5)	19.1 (8.6-23.5)
SHF (nominal)		0.80	0.79
COP / EER (nominal)		3.50 / 3.30	3.40 / 3.05
SCOP (ηsh) / SEER (ηsc) (BS EN14825)		3.6 (141.6%) / 5.7 (232.2%)	3.5 (139.7%) / 5.3 (213.7%)
AIRFLOW (l/s)	Lo-Mi-Hi	700-850-1000	833-1016-1200
PIPE SIZE mm (in)	Gas	28.58 (1 1/8")	28.58 (1 1/8")
	Liquid	9.52 (3/8")	12.7 (1/2")
EXTERNAL STATIC PRESSURE (Pa)		75 / 100 / 150 / 200 / 250	75 / 100 / 150 / 200 / 250
SOUND PRESSURE LEVEL (dBA) (60Pa)	Lo-Mi-Hi	34.5-39-43	37.5-42-46
SOUND POWER LEVEL (dBA) (60Pa)	Lo-Mi-Hi	69-70-70	71-71-72
DIMENSIONS (mm)	Width x Depth x Height	1370 x 1120 x 470	1370 x 1120 x 470
WEIGHT (kg)		88	88
ELECTRICAL SUPPLY		220-240v 50Hz	220-240v 50Hz
PHASE		Single	Single
POWER INPUT (kW)		0.32	0.48
RUNNING CURRENT (A) [MAX]		4.8	4.8
FUSE RATING (BS88) - HRC (A)		6	6
MAINS CABLE No. Cores		3	3
INTERCONNECTING CABLE No. Cores		3	3
WIRED REMOTE CONTROLLER REFERENCE		PAR-41MAA	PAR-41MAA

PUZ-ZM - OUTDOOR UNITS		PUZ-ZM200YKA2	PUZ-ZM250YKA2
SOUND PRESSURE LEVEL (dBA)	Heating/Cooling	62 / 59	62 / 59
WEIGHT (kg)		137	138
DIMENSIONS (mm)	Width x Depth x Height	1050 x 330+40 x 1338	1050 x 330+40 x 1338
ELECTRICAL SUPPLY		380-415v, 50Hz	380-415v, 50Hz
PHASE		Three	Three
SYSTEM POWER INPUT (kW)	Heating/Cooling (nominal)	6.40 / 5.76	7.94 / 7.21
	Heating/Cooling (UK)	5.18 / 4.89	6.43 / 6.13
STARTING CURRENT (A)		5.0	5.0
RUNNING CURRENT (A)	Heating/Cooling [MAX]	9.57 / 8.58 [22.5]	13.3 / 11.6 [22.5]
FUSE RATING (BS88) - HRC (A)		25	25
MAINS CABLE No. Cores		5	5
MAX PIPE LENGTH (m)		100	100
MAX HEIGHT DIFFERENCE (m)		30	30
CHARGE REFRIGERANT (kg) / CO ₂ EQUIVALENT (t) R32 (GWP 675) - 30m		6.30 / 4.25	6.80 / 4.59
MAX ADDITIONAL REFRIGERANT (kg) / CO ₂ EQUIVALENT (t) R32 (GWP 675)		2.90 / 1.96	2.40 / 1.62

③ Three Phase

Accessories

System Control Units

PAC-SA89TA

Remote on/off adaptor (3 wire adaptor)

PAC-SA88HA

Run/fault adaptor (5 wire adaptor)

PAC-SE41TS-E

Remote sensor

PAR-CT01MAA-SB/PB

Touch screen wired remote controller (PB=Premium Finish)

PAR-41MAA

Standard wired remote controller

MAC-587IF-E

Interface for connection to Wi-Fi MELCloud service

MELCOBEMS MINI (A1M+)

Modbus and BACnet MSTP CN105 adaptor

MELCORETAIL MINI

Retail control and input / output interface

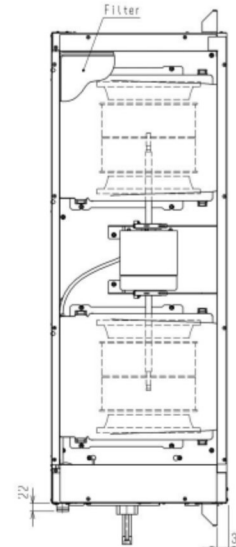
PAC-SJ95MA

M-NET adaptor for size 200 to 250

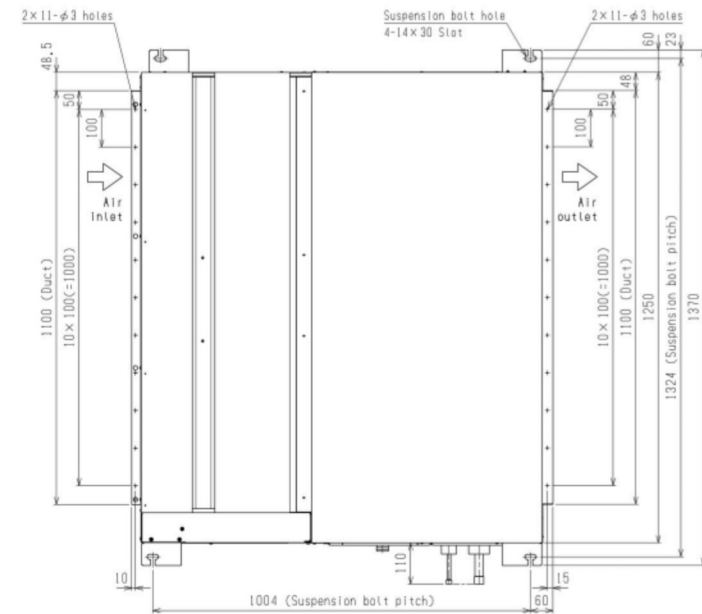
Product Dimensions

PEA-M200/250LA2

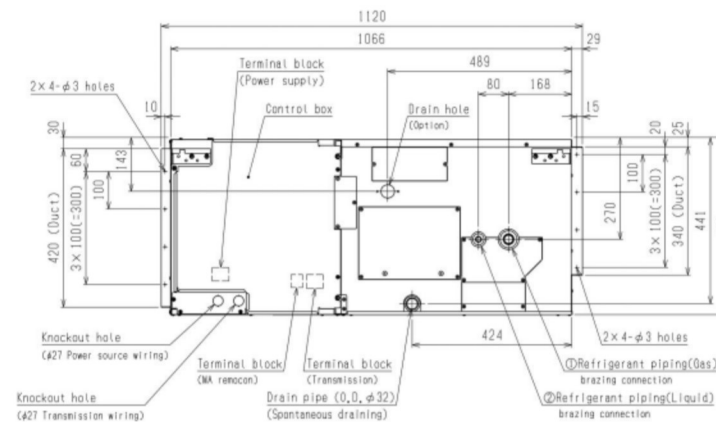
Front View



Upper View



Side View



Note: Please see page 1.3.66 for the full range of accessories.

PEA-M R32

Large Capacity Ceiling Concealed Ducted System

Standard Inverter Heat Pump
(Three Phase)



The cost effective **PEA-M Standard Inverter** large capacity ducted system offers high levels of design flexibility and energy efficiency for larger scale heating and cooling applications. The unique design allows the fan and coil sections to be split, facilitating installation where ceiling void space is limited. Working with extended lengths of ductwork through a 250Pa fan setting, the system is ideal for warehouse, atria and large retail applications.

Key Features & Benefits

- Unit can be separated into two parts, allowing the coil section to be installed into a limited roof space
- Advanced airflow and smart defrost features to maximise comfort levels
- PAR-41MAA controller enables effective energy consumption monitoring
- 'Backup and Rotate' feature reduces load on individual units and prolongs product life (requires PAR-41MAA controller)
- Ultimate ductwork flexibility through 5 static pressure settings up to 250Pa
- Pre-filter included as standard

R32

PEA-M - INDOOR UNITS		PEA-M200LA2	PEA-M250LA2
CAPACITY (kW)	Heating (nominal)	22.4 (6.8-25.0)	27.0 (7.3-31.0)
	Cooling (nominal)	19.0 (9.2-22.4)	22.0 (9.9-27.0)
	Heating (UK)	16.8 (5.1-18.8)	20.3 (5.5-23.3)
	Cooling (UK)	16.5 (8.0-19.5)	19.1 (8.6-23.5)
SHF (nominal)		0.80	0.79
COP / EER (nominal)		3.40 / 3.12	3.30 / 3.00
SCOP (ηsh) / SEER (ηsc) (BS EN14825)		3.6 (141.2%) / 5.4 (216.3%)	3.5 (139.2%) / 5.3 (212.7%)
AIRFLOW (l/s)	Lo-Mi-Hi	700-850-1000	833-1016-1200
PIPE SIZE mm (in)	Gas	28.58 (1 1/8")	28.58 (1 1/8")
	Liquid	9.52 (3/8")	12.7 (1/2")
EXTERNAL STATIC PRESSURE (Pa)		75 / 100 / 150 / 200 / 250	75 / 100 / 150 / 200 / 250
SOUND PRESSURE LEVEL (dBA) (60Pa)	Lo-Mi-Hi	34.5-39-43	37.5-42-46
SOUND POWER LEVEL (dBA) (60Pa)	Lo-Mi-Hi	69-70-70	71-71-72
DIMENSIONS (mm)	Width x Depth x Height	1370 x 1120 x 470	1370 x 1120 x 470
WEIGHT (kg)		88	88
ELECTRICAL SUPPLY		220-240v 50Hz	220-240v 50Hz
PHASE		Single	Single
POWER INPUT (kW)		0.32	0.48
RUNNING CURRENT (A) [MAX]		4.8	4.8
FUSE RATING (BS88) - HRC (A)		6	6
MAINS CABLE No. Cores		3	3
INTERCONNECTING CABLE No. Cores		3	3
WIRED REMOTE CONTROLLER REFERENCE		PAR-41MAA	PAR-41MAA

PUZ-M - OUTDOOR UNITS		PUZ-M200YKA2 ^③	PUZ-M250YKA2 ^③
SOUND PRESSURE LEVEL (dBA)	Heating/Cooling	60 / 58	62 / 59
WEIGHT (kg)		129	138
DIMENSIONS (mm)	Width x Depth x Height	1050 x 330+40 x 1338	1050 x 330+40 x 1338
ELECTRICAL SUPPLY		380-415v, 50Hz	380-415v, 50Hz
PHASE		Three	Three
SYSTEM POWER INPUT (kW)	Heating/Cooling (nominal)	6.59 / 6.09	8.18 / 7.33
	Heating/Cooling (UK)	5.34 / 5.18	6.63 / 6.23
STARTING CURRENT (A)		5.0	5.0
RUNNING CURRENT (A)	Heating/Cooling [MAX]	10.08 / 9.62 [22.5]	12.18 / 11.22 [22.5]
FUSE RATING (BS88) - HRC (A)		25	25
MAINS CABLE No. Cores		5	5
MAX PIPE LENGTH (m)		70	70
MAX HEIGHT DIFFERENCE (m)		30	30
CHARGE REFRIGERANT (kg) / CO ₂ EQUIVALENT (t) R32 (GWP 675) - 30m		5.60 / 3.78	6.80 / 4.59
MAX ADDITIONAL REFRIGERANT (kg) / CO ₂ EQUIVALENT (t) R32 (GWP 675)		1.60 / 1.08	2.40 / 1.62

^③ Three Phase

Accessories

Outdoor Units

PAC-SH96SG

Air outlet guide for PUZ-M200-250YKA2

System Control Units

PAC-SA89TA

Remote on/off adaptor (3 wire adaptor)

PAC-SA88HA

Run/fault adaptor (5 wire adaptor)

PAC-SE41TS-E

Remote sensor

PAR-CT01MAA-SB/PB

Touch screen wired remote controller (PB=Premium Finish)

PAR-41MAA

Standard wired remote controller

MAC-587IF-E

Interface for connection to Wi-Fi MELCloud service

MELCOBEMS MINI (A1M+)

Modbus and BACnet MSTP CN105 adaptor

MELCORETAIL MINI

Retail control and input / output interface

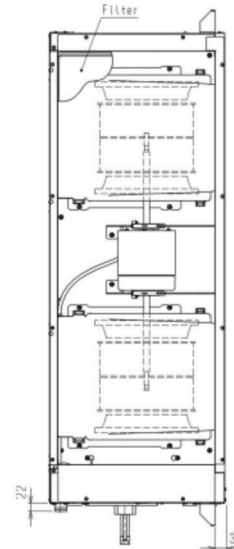
PAC-SJ95MA

M-NET adaptor for size 200 to 250

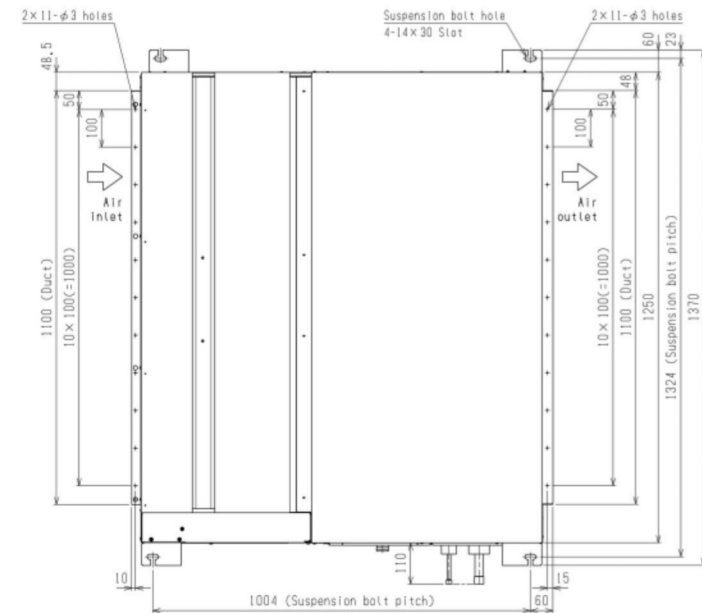
Product Dimensions

PEA-M200/250LA2

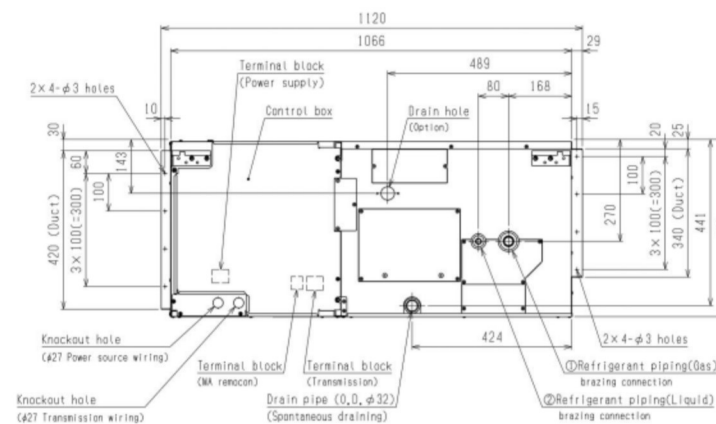
Front View



Upper View



Side View



Note: Please see page 1.3.66 for the full range of accessories.