

MSZ-HR R32

Classic Wall Mounted System

Inverter Heat Pump

The **MSZ-HR** range of wall mounted split systems is now available in capacities up to 7.1kW, making them ideal for light commercial applications such as small offices & retail spaces. With efficient & quiet operation, as well as optional Wi-Fi control, these systems provide excellent value for money as single or multi-split systems.

Key Features & Benefits

- Stylish white design
- Utilises lower GWP R32 refrigerant
- Optional Wi-Fi interface enabling control & monitoring via the MELCloud app
- Daily timer for greater control of scheduling
- Multi-Split connection to MXZ-HA
- Compatible with Plasma Quad Connect - an innovative, bolt-on air purifying device which neutralises viruses, bacteria, allergens, PM2.5, mould and dust. For more information, please refer to page 1.1.7



MSZ-HR - INDOOR UNITS		MSZ-HR25VF	MSZ-HR35VF	MSZ-HR50VF	MSZ-HR60VF	MSZ-HR71VF
CAPACITY (kW)	Heating (nominal)	3.15 (0.7-3.5)	3.6 (0.9-3.7)	5.4 (1.4-6.5)	6.8 (1.5-9.0)	8.1 (1.5-9.0)
	Cooling (nominal)	2.5 (0.5-2.9)	3.4 (0.9-3.4)	5.0 (1.3-5.0)	6.1 (1.7-7.4)	7.1 (1.8-7.4)
	Heating (UK)	2.61 (0.6-2.9)	2.99 (0.75-3.1)	4.48 (1.16-5.39)	5.64 (1.25-7.47)	6.72 (1.25-7.47)
	Cooling (UK)	2.48 (0.5-2.8)	3.37 (0.89-3.4)	4.96 (1.29-4.96)	5.98 (1.67-7.25)	6.96 (1.76-7.25)
SHF (nominal)		0.78	0.78	0.73	0.79	0.74
COP / EER (nominal)		3.71 / 3.13	3.69 / 2.81	3.48 / 2.44	3.76 / 3.37	3.32 / 3.05
SCOP / SEER (BS EN14825)		4.30 / 6.20	4.30 / 6.20	4.30 / 6.50	4.50 / 7.20	4.30 / 7.00
ErP ENERGY EFFICIENCY CLASS	Heating/Cooling	A+ / A++	A+ / A++	A+ / A++	A+ / A++	A+ / A++
AIRFLOW (l/s)	Heating/Cooling - Lo-Mi-Hi-SHi	55-90-123-168 / 60-90-120-162	55-90-123-175 / 60-93-130-195	102-138-187-242 / 107-153-187-218	178-218-278-327 / 173-210-257-327	178-218-278-327 / 173-210-257-327
PIPE SIZE mm (in)	Gas	9.52 (3/8")	9.52 (3/8")	9.52 (3/8")	12.7 (1/2")	12.7 (1/2")
	Liquid	6.35 (1/4")	6.35 (1/4")	6.35 (1/4")	6.35 (1/4")	6.35 (1/4")
SOUND PRESSURE LEVEL (dBA)	Heating/Cooling - Lo-Mi-Hi-SHi	21-30-37-43 / 21-30-37-43	21-30-37-44 / 22-31-38-46	27-34-41-47 / 28-36-40-45	33-38-44-50 / 33-38-44-50	33-38-44-50 / 33-38-44-50
SOUND POWER LEVEL (dBA)		57	60	60	65	65
DIMENSIONS (mm)	Width x Depth x Height	838 x 228 x 280	838 x 228 x 280	838 x 228 x 280	923 x 263 x 305	923 x 263 x 305
WEIGHT (kg)		8.5	8.5	9	12.5	12.5
ELECTRICAL SUPPLY		Fed by Outdoor Unit	Fed by Outdoor Unit	Fed by Outdoor Unit	Fed by Outdoor Unit	Fed by Outdoor Unit
FUSE RATING (BS88) - HRC (A)		6	6	6	6	6
INTERCONNECTING CABLE No. CORES		4	4	4	4	4

MUZ-HR - OUTDOOR UNITS		MUZ-HR25VF	MUZ-HR35VF	MUZ-HR50VF	MUZ-HR60VF	MUZ-HR71VF
SOUND PRESSURE LEVEL (dBA)	Heating/Cooling	50 / 50	51 / 51	51 / 50	57 / 53	57 / 53
SOUND POWER LEVEL (dBA)	Cooling	63	64	64	65	66
WEIGHT (kg)		23	24	35	40	40
DIMENSIONS (mm)	Width x Depth x Height	699 x 249 x 538	699 x 249 x 538	800 x 285 x 550	800 x 285 x 714	800 x 285 x 714
ELECTRICAL SUPPLY		220-240v, 50Hz	220-240v, 50Hz	220-240v, 50Hz	220-240v, 50Hz	220-240v, 50Hz
PHASE		Single	Single	Single	Single	Single
SYSTEM POWER INPUT (kW)	Heating/Cooling (nominal)	0.85 / 0.80	0.98 / 1.21	1.55 / 2.05	1.81 / 1.81	2.44 / 2.33
	Heating/Cooling (UK)	0.77 / 0.63	0.89 / 0.96	1.40 / 1.62	1.63 / 1.52	2.20 / 1.96
STARTING CURRENT (A)		4.1	5.9	9.0	8.0	10.8
SYSTEM RUNNING CURRENT (A)	Heating/Cooling [MAX]	4.1 / 3.8 [4.8]	4.6 / 5.9 [6.4]	6.9 / 9.0 [9.6]	8.0 / 8.0 [14.1]	11.8 / 10.3 [14.1]
FUSE RATING (BS88) - HRC (A)		10	10	16	16	16
MAINS CABLE No. CORES		3	3	3	3	3
MAX PIPE LENGTH (m)		20	20	20	20	20
MAX HEIGHT DIFFERENCE (m)		12	12	12	12	12
CHARGE REFRIGERANT (kg) / CO ₂ EQUIVALENT (t) - R32 (GWP 675)		0.40 / 0.27	0.45 / 0.30	0.80 / 0.54	1.05 / 0.71	1.05 / 0.71
MAX ADDITIONAL REFRIGERANT (kg) / CO ₂ EQUIVALENT (t) - R32 (GWP 675)		0.26 / 0.18	0.26 / 0.18	0.26 / 0.18	0.46 / 0.32	0.46 / 0.32

Accessories

Indoor Units

MAC-100FT-E

Plasma Quad Connect Air Purifying Device

MAC-1200RC-E

Natural white remote controller holder

Outdoor Units

MAC-883SG

Air outlet guide for MUZ-HR25/35VF

MAC-881SG

Air outlet guide for MUZ-HR50VF

MAC-882SG

Air outlet guide for MUZ-HR60/71VF

System Control Units

PAR-CT01MAA-SB/PB

Touch screen wired remote controller (PB = Premium Finish)

PAR-41MAA

Standard wired remote controller

MAC-334IF-E

Interface for M-NET, MA remote controller (PAR-41MAA / PAR-CT01MAA), on/off input and run/fault output

MAC-497IF-E

Interface for M-NET, MA remote controller (PAR-41MAA / PAR-CT01MAA)

MAC-587IF-E

Interface for connection to Wi-Fi MELCloud service

MELCOBEMS MINI (A1M+)

Modbus and BACnet MSTP CN105 adaptor

MELCORETAIL MINI

Retail control and input / output interface

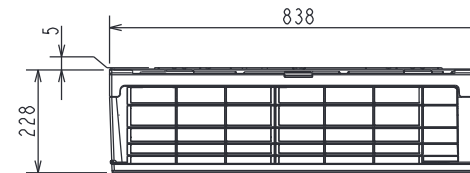
Product Dimensions

MSZ-HR25/35/50VF

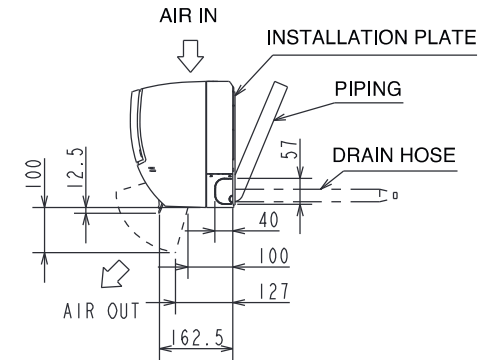
Front View



Upper View



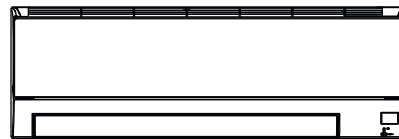
Side View



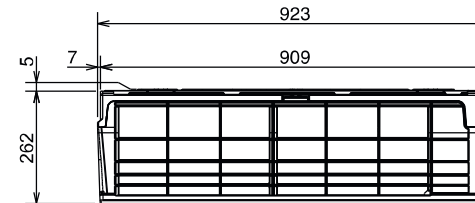
Product Dimensions

MSZ-HR60/71VF

Front View



Upper View



Side View

