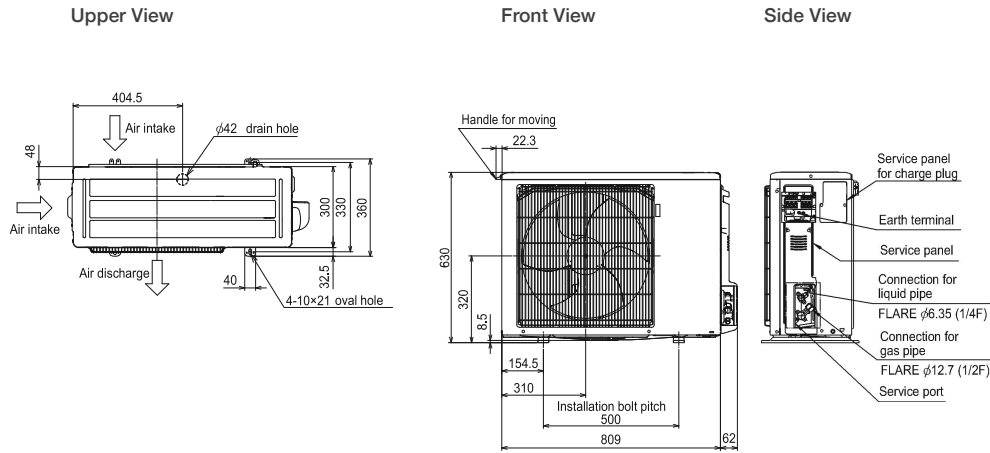


Power Inverter Outdoor Units

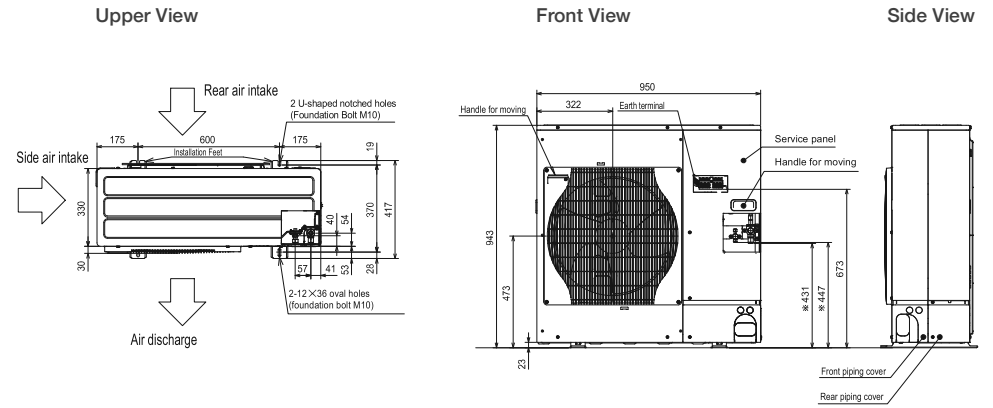
Product Dimensions

PUZ-ZM35/50VKA2



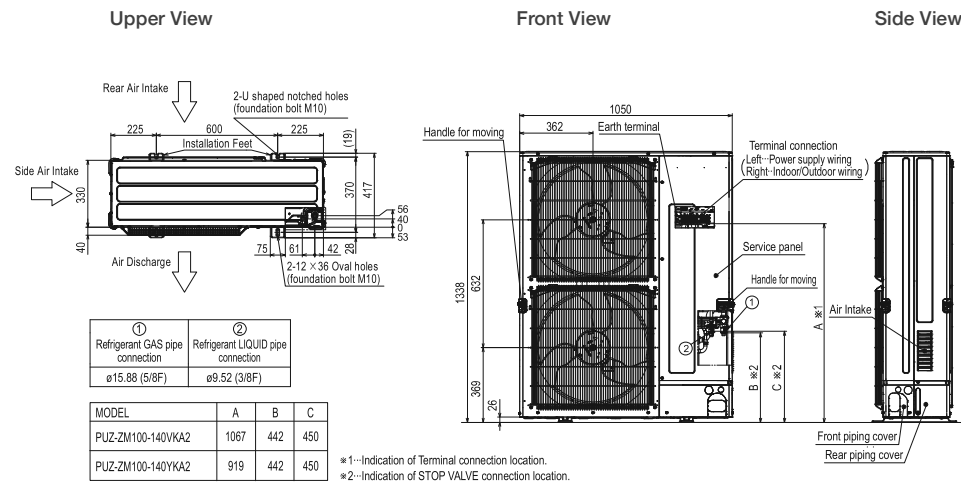
Product Dimensions

PUZ-ZM60/71VHA2



Product Dimensions

PUZ-ZM100/125/140VKA2, PUZ-ZM100/125/140YKA2



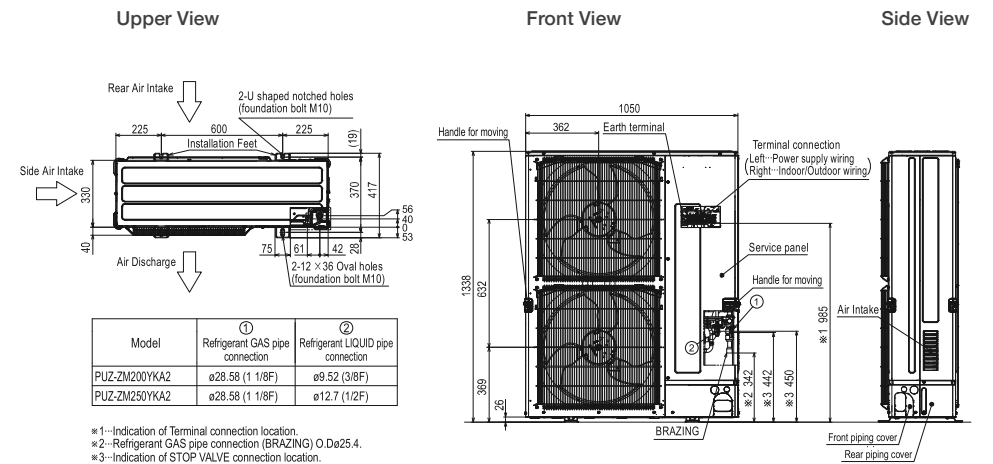
	①	②
Refrigerant GAS pipe connection	Refrigerant LIQUID pipe connection	
φ15.88 (5/8F)	φ9.52 (3/8F)	

MODEL	A	B	C
PUZ-ZM100-140VKA2	1067	442	450
PUZ-ZM100-140YKA2	919	442	450

※1-Indication of Terminal connection location.
 ※2-Indication of STOP VALVE connection location.

Product Dimensions

PUZ-ZM200/250YKA2



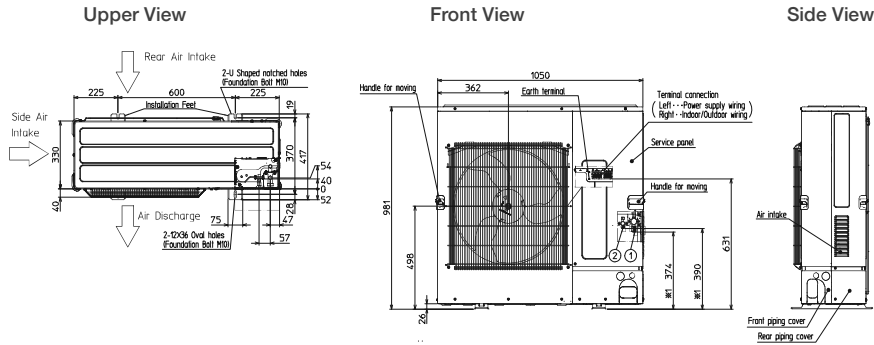
Model	①	②
PUZ-ZM200YKA2	φ28.58 (1 1/8F)	φ9.52 (3/8F)
PUZ-ZM250YKA2	φ28.58 (1 1/8F)	φ12.7 (1/2F)

※1-Indication of Terminal connection location.
 ※2-Refrigerant GAS pipe connection (BRAZING) O Da25.4.
 ※3-Indication of STOP VALVE connection location.

Standard Inverter / Inverter Outdoor Units

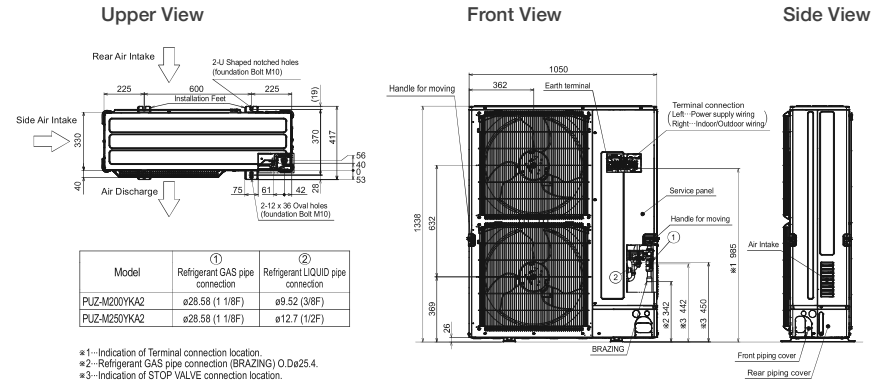
Product Dimensions

PUZ-M100/125/140VKA2, PUZ-M100/125/140YKA2,
PUZ-SM100/125/140VKA2, PUZ-SM100/125/140YKA2



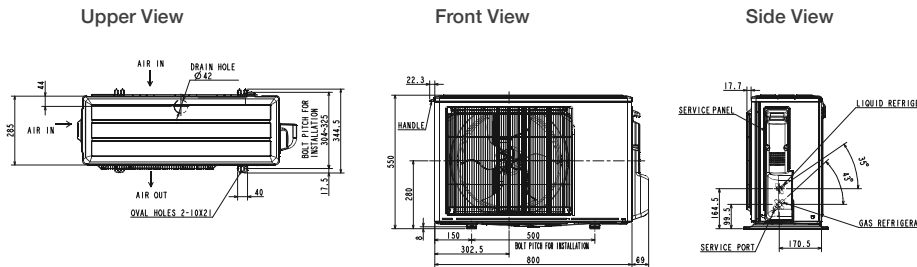
Product Dimensions

PUZ-M200/250YKA2



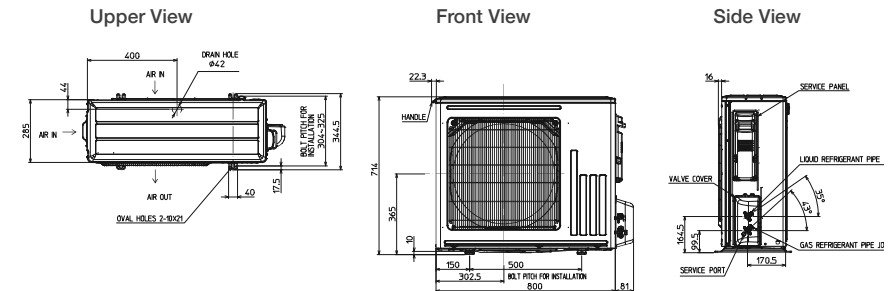
Product Dimensions

SUZ-M25/35VAR2



Product Dimensions

SUZ-M50VAR2



Product Dimensions

SUZ-M60VAR2, SUZ-M71VAR1, SUZ-SM71VA

