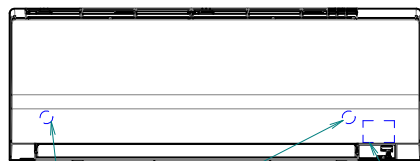
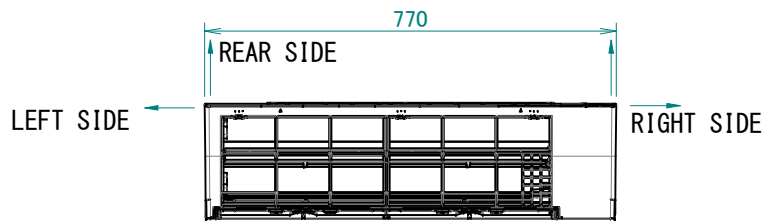


ATXP20-35N9

FTXP20-35N9

THE " → " MARK SHOWS THE PIPING DIRECTION.

REQUIRED SPACE FOR SERVICE AND VENTILATION



FRONT GRILLE FIXING SCREWS
LOCATED INSIDE OF THE UNIT

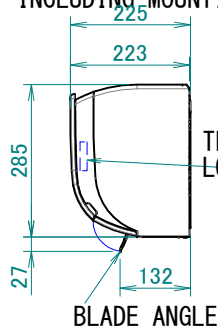
NAMEPLATE
LOCATED INSIDE OF THE UNIT

FLAP

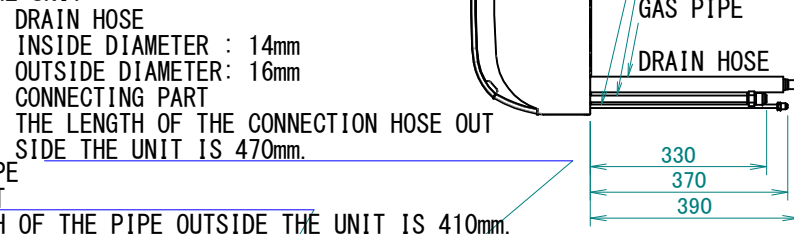
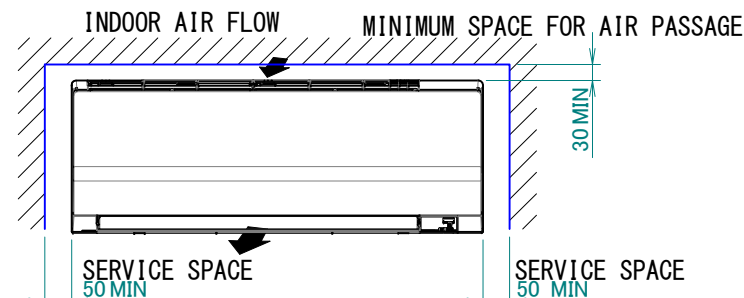


SIGNAL RECEIVER
OPERATION LAMP
TIMER LAMP
INDOOR UNIT ON/OFF SWITCH
ROOM TEMPERATURE SENSOR
LOCATED INSIDE OF THE UNIT

INCLUDING MOUNTING PALTE

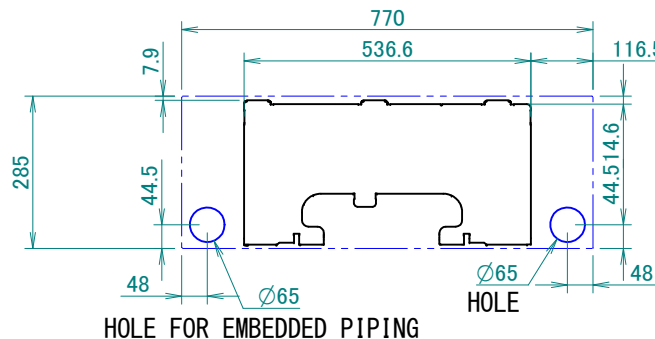
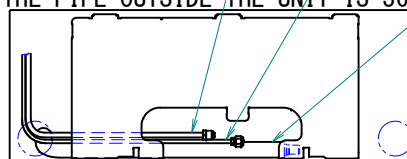


TERMINAL BLOCK WITH EARTH TERMINAL
LOCATED INSIDE OF THE UNIT



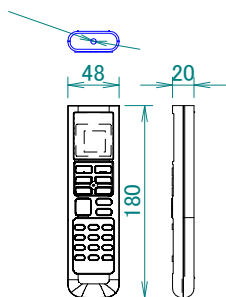
LIQUID PIPE
Ø6.4mm CUT
THE LENGTH OF THE PIPE OUTSIDE THE UNIT IS 410mm.

GAS PIPE
Ø9.5mm CUT
THE LENGTH OF THE PIPE OUTSIDE THE UNIT IS 360mm.



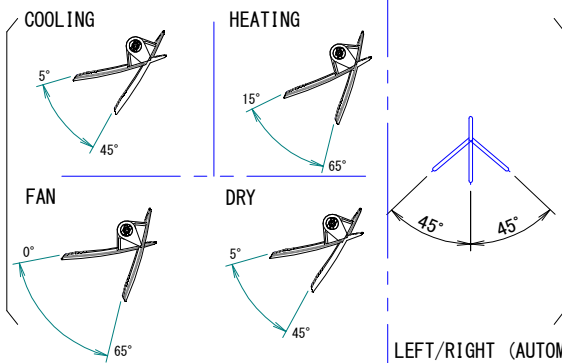
STANDARD LOCATION OF HOLES IN THE WALL

SIGNAL TRANSMITTER



BLADE ANGLE

UP/DOWN (AUTOMATIC)



WIRELESS REMOTE CONTROL
(ARC480A78)

3D144255