



FLOW TEMP. CONTROLLER [MASTER] (Cased)

PAC-IF071B-E

PAC-IF072B-E

PAC-IF073B-E

FLOW TEMP. CONTROLLER [SLAVE] (Cased)

PAC-SIF051B-E

INSTALLATION MANUAL

For safe and correct use, read this manual thoroughly before installing the FTC unit.

FOR INSTALLER

English

Contents

1. Safety precautions.....	2	7. Main remote controller operation.....	32
2. Installing the FTC unit	3	8. Troubleshooting	43
3. System	5	9. Multiple outdoor units control	47
4. Electrical work	11	10. Supplementary information	59
5. Dip switch setting	26	Local application factors	60
6. Before test run.....	31		

"FTC (Master)" is the abbreviation of "Flow Temperature Controller [Master]", which is described as "FTC (Master)" in this manual.

"FTC (Slave)" is the abbreviation of "Flow Temperature Controller [Slave]", which is described as "FTC (Slave)" in this manual.

In this manual, "FTC" that is not followed by "(Master)" or "(Slave)" means "FTC (Master and Slave)".

Mitsubishi Electric is not responsible for the failure of locally supplied parts.

1. Safety precautions **FOR INSTALLER**

- ▶ Before installing the FTC unit, make sure you read all the "Safety precautions".
- ▶ Please report to your supply authority or obtain their consent before connecting this equipment to the power supply system.

Warning:
Precautions that must be observed to prevent injuries or death.

Caution:
Precautions that must be observed to prevent damage to the unit.

- Warning:**
- The unit must not be installed by the user. Ask an installer or an authorized technician to install the unit. If the unit is installed improperly, electric shock, or fire may be caused.
 - For installation work, follow the instructions in the Installation Manual and use tools and pipe components specifically made for use with refrigerant specified in the outdoor unit installation manual.
 - The unit must be installed according to the instructions in order to minimize the risk of damage by earthquakes, typhoons, or strong winds. Improperly installed units may fall down and cause damage or injuries.
 - The unit must be securely installed on a structure that can sustain its weight. If the unit is mounted on an unstable structure, it may fall down and cause damage or injuries.
 - All electric work must be performed by a qualified technician according to local regulations and the instructions given in this manual. The unit must be powered by dedicated power lines and the correct voltage and circuit breakers must be used. Power lines with insufficient capacity or incorrect electrical work may result in electric shock or fire.

After installation, perform the test run to ensure normal operation. Then explain to your customer the "Safety Precautions" *1, use, and maintenance of the unit based on the information in this manual. This manual must be given to the user. This manual must always be kept by the actual users.

*1 "Safety Precautions" for user is indicated on page 32.

⚠ : This indicates a part which must be grounded.

Warning:
Carefully read the labels attached to the unit.

- Only the specified cables can be used for wiring. Connections must be made securely without tension on the terminals. If cables are connected or installed improperly, it may result in overheating or fire.
- Terminal block cover panel of the unit must be firmly fixed. If the cover panel is mounted improperly, dust and moisture may enter the unit, and it may cause electric shock or fire.
- Make sure to use accessories authorized by Mitsubishi Electric and ask an installer or an authorized technician to install them. If accessories are improperly installed, it may cause electric shock, or fire.
- Do not remodel the unit. Consult an installer for repairs. If alterations or repairs are not performed correctly, it may cause electric shock or fire.
- The user should never attempt to repair the unit or transfer it to another location. If the unit is installed improperly, it may cause electric shock or fire. If the FTC unit needs to be repaired or moved, ask an installer or an authorized technician.
- During installing a heat pump system, keep water from splashing on the FTC unit.
- When installing sensors and parts, do not expose the terminals.

1.1 Before installation (Environment)

- Caution:**
- Do not install the FTC unit in outdoor location as it is designed for indoor installation only. Otherwise electric shock or breakdown may be caused by water, wind or dust.
 - Do not use the unit in an unusual environment. If the FTC unit is installed or exposed to steam, volatile oil (including machine oil), or sulfuric gas, or exposed to briny air, the internal parts can be damaged.
 - Do not install the unit where combustible gases may leak, be produced, flow, or accumulate. If combustible gas accumulates around the unit, it may cause fire or explosion.

- When installing the unit in a hospital or in a building where communications equipment are installed, you may need to take measures to prevent noise and electronic interference. Inverters, home appliances, high-frequency medical equipment, and radio communications equipment can cause the FTC unit to malfunction or to breakdown. At the same time, the noise and electric interference from the FTC unit may disturb the proper operation of nearby medical equipment, and communications equipment.

1.2 Before installation or relocation

- Caution:**
- Be very careful when moving the units. Do not hold the packaging bands. Wear protective gloves to unpack and to move the units, in order to avoid injury to your hands.

- Be sure to safely dispose of the packaging materials. Packaging materials, such as nails and other metal or wooden parts may cause injuries.
- Do not wash the FTC unit. You may receive an electric shock.

1.3 Before electric work

- Caution:**
- Be sure to install a circuit breaker. If it is not installed, there may be a risk to get an electric shock.
 - For the power lines, use standard cables of sufficient capacity. Otherwise, it may cause a short circuit, overheating, or fire.
 - When installing the power lines, do not apply tension to the cables. The cables may be cut or overheated resulting in a fire.

- Make sure to ground the unit. Do not connect the ground wire to gas or water pipes, lightning rods, or telephone grounding lines. If the unit is not properly grounded, there may be a risk to get an electric shock.
- Make sure to use circuit breakers (ground fault interrupter, isolating switch (+B fuse), and molded case circuit breaker) with the specified capacity. If the circuit breaker capacity is larger than the specified capacity, breakdown or fire may result.

1. Safety precautions

1.4 Before starting the test run

⚠ Caution:

- Turn on the main power switch of the outdoor unit more than 12 hours before starting operation. Starting operation immediately after turning on the power switch can severely damage the internal parts. Keep the main power switch turned on during the operation period.
- In heating mode, to avoid the heat emitters being damaged by excessively hot water, set the target flow temperature to a minimum of 2°C below the maximum allowable temperature of all the heat emitters. For Zone2, set the target flow temperature to a minimum of 5°C below the maximum allowable flow temperature of all the heat emitters in Zone2 circuit.
- Before starting operation, check that all protective parts are correctly installed. Make sure not to get injured by touching high voltage parts.
- Do not touch any switch with wet hands. There may be a risk to get an electric shock.
- After stopping operation, make sure to wait at least 5 minutes before turning off the main power. Otherwise, it may cause breakdown.

1.5 Electric booster and immersion heaters

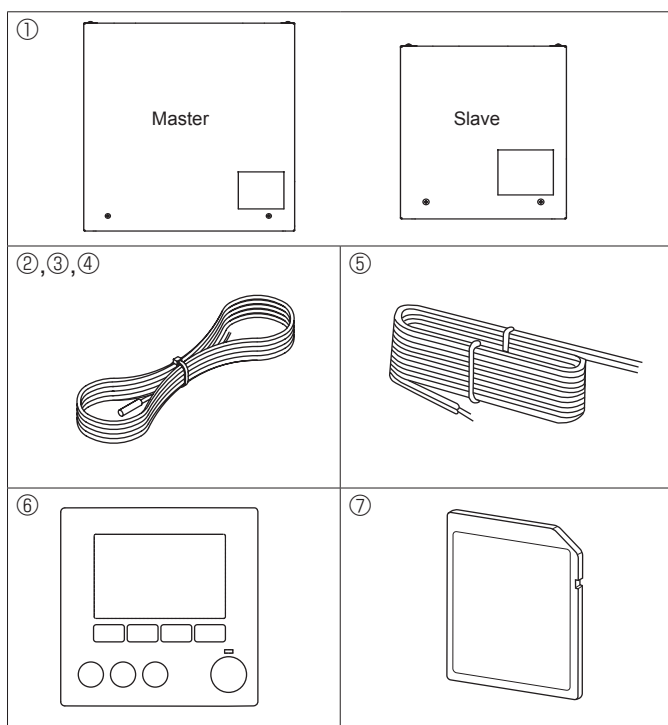
⚠ Warning:

- FTC has signal outputs for heaters however it can not isolate power to them in the event of overheating. All electrical heaters used on the water circuit must have.
 - a) A thermostat to prevent overheating.
 - b) A non-self resetting thermal mechanism to prevent overheating.

Abbreviations and glossary

Abbreviations/Word	Description
Ambient temperature	The outdoor temperature
Freeze stat. function	Heating to prevent water pipes freezing
ASHP/HP	Air source heat pump
COP	Coefficient of performance the efficiency of the heat pump
Cylinder unit	Indoor unvented DHW tank and component plumbing parts
Hydrobox	Indoor unit housing the component plumbing parts (NO DHW tank)
DeltaT	Difference in temperature between two system locations.
DHW mode	Domestic hot water heating mode for showers, sinks, etc
Flow temperature	Temperature at which water is delivered to the primary circuit
FTC (Master)	Flow temperature controller, the circuit board in charge of controlling the system, master board for multiple outdoor units control
FTC (Slave)	Slave board for multiple outdoor units control
Compensation curve mode	Space heating incorporating outdoor temperature compensation
Heating mode	Space heating through radiators or under floor heating
Cooling mode	Space cooling through radiators or under floor cooling
Legionella	Bacteria potentially found in plumbing, showers and water tanks that may cause Legionnaires disease
LP mode	Legionella prevention mode – a function on systems with tanks to prevent the growth of legionella bacterium
Packaged model	Plate heat exchanger (Refrigerant - Water) in the outdoor heat pump unit
Split model	Plate heat exchanger (Refrigerant - Water) in the indoor unit
TRV	Thermostatic radiator valve – a valve on the entrance or exit of the radiator panel controlling the heat output

2. Installing the FTC unit



<Fig. 2.1.1>

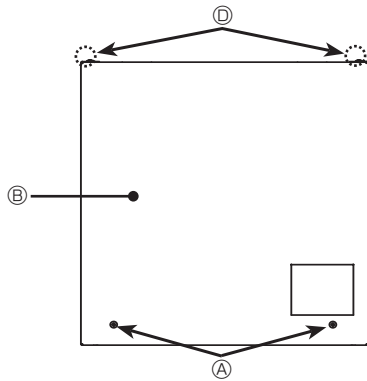
2.1. Check the parts (Fig. 2.1.1)

The FTC unit should be supplied with the following parts.

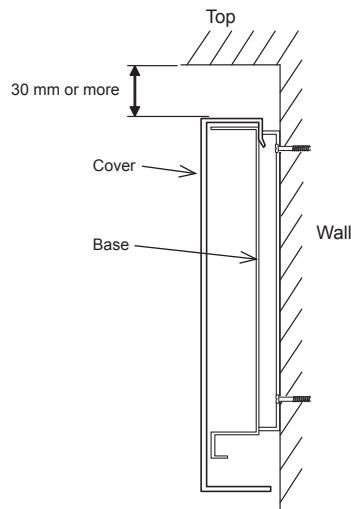
Part name	Wiring diagram symbol	Q'ty			
		PAC-IF071	PAC-IF072	PAC-IF073	PAC-SIF051
① FTC (master) unit/FTC (slave) unit		1	1	1	1
② Liquid refrigerant temp. thermistor (Lead wire: 5 m/Red, Connector: 3p/Yellow)	TH2	1	–	–	1
③ Flow water temp. and Return water temp. thermistor (Lead wire: Gray (Flow water temp.), Black(Return water temp.), Connector: 4p/Red)	THW1/2	1 (5 m/5 m)	1 (5 m/5 m)	1 (1.1 m/1.2 m)	1 (5 m/5 m)
④ Tank temp. thermistor (Lead wire: Blue (tank temp. thermistor upper), Gray (tank temp. thermistor lower), Connector: 4p/Blue)	THW5A/5B	–	–	1	–
⑤ Main remote controller cable (10 m)		1	1	1	1
⑥ Main remote controller		1	1	1	–
⑦ SD memory card		1	1	1	1

en

2. Installing the FTC unit



<Fig. 2.3.1>



<Fig. 2.3.2>
Service space

2.2. Choosing the FTC unit installation location

- Do not install the FTC units outdoors as it is designed for indoor installation only. (The FTC circuit board and casing are not waterproof.)
- Avoid locations where the unit is exposed to direct sunlight or other sources of heat.
- Select a location where easy wiring access to the power source is available.
- Avoid locations where combustible gases may leak, be produced, flow, or accumulate.
- Select a level location that can bear the weight and vibration of the unit.
- Avoid locations where the unit is exposed to oil, steam, or sulfuric gas.
- Do not install in location that is hot or humid for long periods of time.

2.3. Installing the FTC unit (Fig. 2.3.1, 2.3.2, 2.3.3, 2.3.4)

1. Remove 2 screws (A Screw) from FTC unit and remove the cover. (See Fig. 2.3.4)
2. Install the 4 screws (locally supplied) in the 4 holes (C Hole).

Note: To prevent the unit from falling off the wall, select the appropriate screws (locally supplied) and secure the base horizontally to the appropriate wall location.

(See Fig. 2.3.2)

- (A) Screw (B) Cover
- (C) Hole for installation (D) Screw

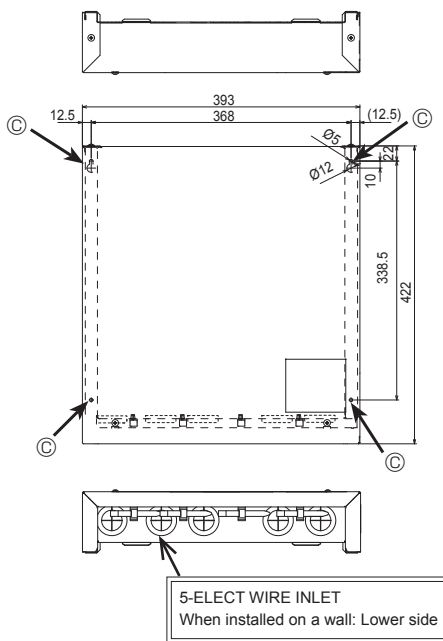
Note: Do not remove the screws (D) as the screws are the component parts of the cover and are not used for the installation of cover.

Weight	PAC-IF071B-E	3.7 kg
	PAC-IF072/073B-E	4.1 kg
	PAC-SIF051B-E	1.9 kg
Allowable ambient temperature	0 to 35°C	
Allowable ambient humidity	80% RH or less	

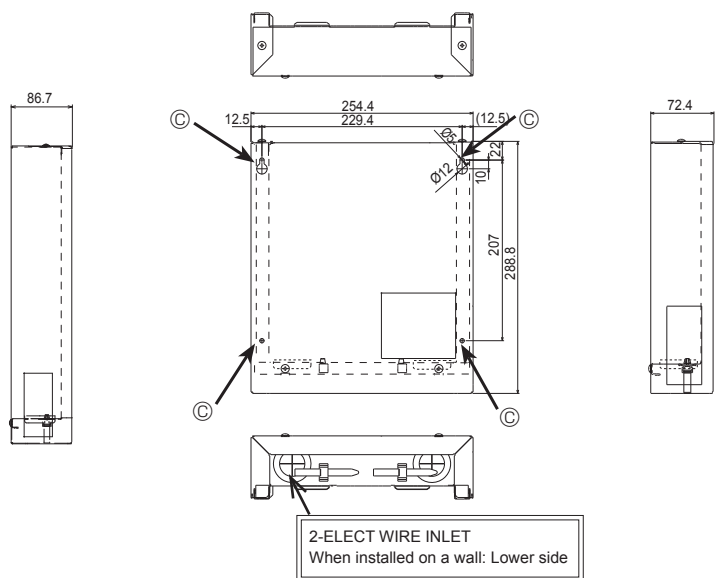
Optional extras

- Wireless Remote Controller PAR-WT50R-E
- Wireless Receiver PAR-WR51R-E
- Remote sensor PAC-SE41TS-E

<FTC (Master) unit>

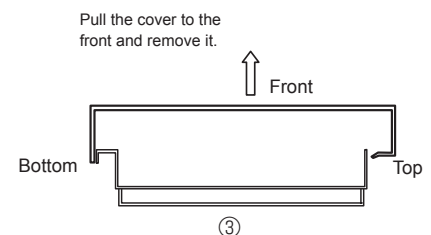
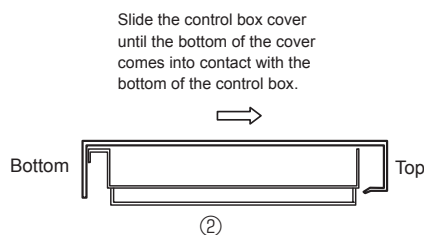
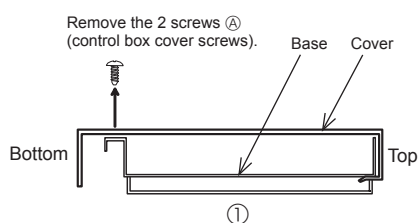


<FTC (Slave) unit>



<Unit: mm>

<Fig. 2.3.3>



<Fig. 2.3.4>

3. System

The FTC (Master) is designed for use with a number of heat pump systems. Please refer to the following table to find the relevant installation information for your system. For multiple outdoor units control with FTC (Slave), see section 9.

3.1 First step (Electrical work)

Power supplies	System diagram	Reference section
FTC (Master) powered via outdoor unit		4.1 4.2
FTC (Master) powered by independent source		4.1 4.2

3.2 Second step (Outdoor unit type)

Outdoor unit type	System diagram	Thermistor	Reference section
Split		TH2: Liquid refrigerant temp.	4.4 5.2
Packaged		—	4.4 5.2

* PAC-IF072/073B-E is not available for Split-type system.

en

3. System

3.3 Third step (Functions setting)

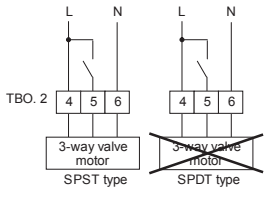
DHW tank	Immersion heater	Booster heater	BH function	System diagram	Thermistor	Reference section	Remarks
Present	Absent	Present	For heating and DHW		THW1: Flow water temp. THW2: Return water temp. THW5B: Tank water temp.	4.4 4.5 5.3	
Present	Present	Present	For heating and DHW		THW1: Flow water temp. THW2: Return water temp. THW5B: Tank water temp.	4.4 4.5 5.3	
Present	Absent	Present	For heating only		THW1: Flow water temp. THW2: Return water temp. THW5B: Tank water temp.	4.4 4.5 5.3	1. 'Legionella Prevention Mode' cannot be selected in this system.
Present	Absent	Absent	—		THW1: Flow water temp. THW2: Return water temp. THW5B: Tank water temp.	4.4 4.5 5.3	1. 'Legionella Prevention Mode' cannot be selected in this system. 2. Please make sure water circuit not to get frozen during defrost.
Present	Present	Present	For heating only		THW1: Flow water temp. THW2: Return water temp. THW5B: Tank water temp.	4.4 4.5 5.3	
Present	Present	Absent	—		THW1: Flow water temp. THW2: Return water temp. THW5B: Tank water temp.	4.4 4.5 5.3	
Absent	Absent	Present	—		THW1: Flow water temp. THW2: Return water temp.	4.4 4.5 5.3	
Absent	Absent	Absent	—		THW1: Flow water temp. THW2: Return water temp.	4.4 4.5 5.3	1. Please make sure water circuit not to get frozen during defrost.

* The use of two 2-way valves can perform same function as a 3-way valve.

3. System

3.4 Fourth step (Functions setting)

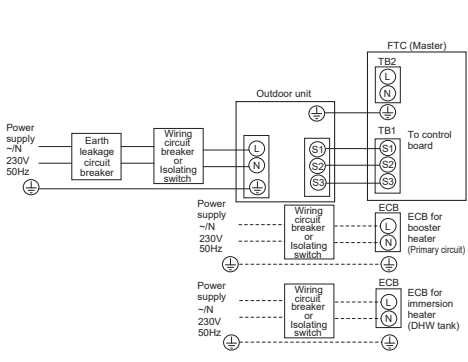
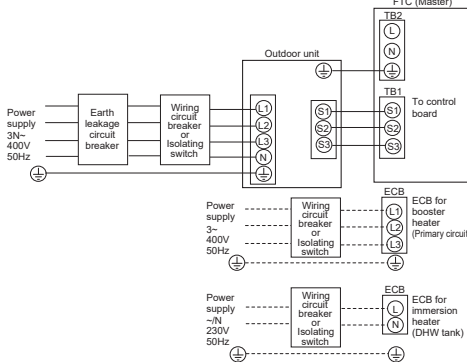
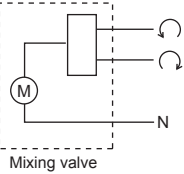
* Make sure to check the followings for your safety when designing a system. These are the minimum requirement for the safe use of FTC unit.

Parts name	Requirement																																							
Flow switch	It is required to protect system from the effects of insufficient flow.																																							
Flow sensor	It is required to detect an error in flow rate. (The operation is validated with SIKA VVX20.) It is required for Energy monitor function.																																							
Strainer /Magnetic filter (water circuit)	Provide it as required to protect parts from damages caused by iron particles/water/contamination (e.g. the position before pump and return part from emitters).																																							
Pressure relief valve (Primary circuit side) (Sanitary water side)	It is required to protect system from reaching high pressure. Select the operating pressure depending on water pressure in the circuit in normal use. Note: Follow the national regulations.																																							
3-way valve	<p>Current: 0.1 A Max. (If over 0.1 A you must use a relay) Power supply: 230 V AC Connect earth cable, if there is one. Type: SPST Note: SPDT type can NOT be used.</p> 																																							
2-way valve	<p>Current: 0.1 A Max. (If over 0.1 A you must use a relay) Power supply: 230 V AC Connect earth cable, if there is one. Type: Normally closed Select the 2-way valve that slowly opens and shuts off to prevent water hammer. A by-pass valve or circuit should be installed between pump and 2-way valve for safety (to release pressure when the both 2-way valves are closed). Select a 2-way valve equipped with manual override, which is necessary for topping up or draining of water.</p>																																							
Water circulation pump	<p>Current: 1.0A Max., Power supply: 230 V AC When connecting a pump with an electric current of ≥ 1 A or multiple pumps, please note the following.</p> <ol style="list-style-type: none"> Use (a) relay(s). When power is supplied from outdoor unit, TOTAL current (including the other parts) requirement MUST be ≤ 3 A. (otherwise, the fuse on the outdoor unit PCB will blow.) When independent power supplies (i.e. from the FTC unit itself) , total current for the pump(s) is ≤ 4 A. (otherwise, the fuse on the FTC PCB will blow.) <p>Connect earth cable, if there is one. Adjust the pump speed setting so that the flow rate in the primary circuit is appropriate for the outdoor unit installed see the table and figures below.</p> <table border="1" data-bbox="433 1358 1028 1831"> <thead> <tr> <th colspan="2">Outdoor heat pump unit</th> <th>Water flow rate range [L/min]</th> </tr> </thead> <tbody> <tr> <td rowspan="5">Packaged model</td> <td>PUZ-WM50</td> <td>6.5 - 14.3</td> </tr> <tr> <td>PUZ-WM60</td> <td>8.6 - 17.2</td> </tr> <tr> <td>PUZ-WM85</td> <td>10.8 - 25.8</td> </tr> <tr> <td>PUZ-WM112</td> <td>14.4 - 32.1</td> </tr> <tr> <td>PUZ-HWM140</td> <td>17.9 - 40.1</td> </tr> <tr> <td rowspan="14">Split model</td> <td>SUZ-SWM40</td> <td>6.5 - 11.4</td> </tr> <tr> <td>SUZ-SWM60</td> <td>7.2 - 17.2</td> </tr> <tr> <td>SUZ-SWM80</td> <td>7.8 - 21.5</td> </tr> <tr> <td>PUHZ-SW75</td> <td>10.2 - 22.9</td> </tr> <tr> <td>PUHZ-SW100</td> <td>14.4 - 32.1</td> </tr> <tr> <td>PUHZ-SW120</td> <td>20.1 - 45.9</td> </tr> <tr> <td>PUHZ-SW160</td> <td>23.0 - 63.1</td> </tr> <tr> <td>PUHZ-SW200</td> <td>28.7 - 71.7</td> </tr> <tr> <td>PUHZ-SHW80</td> <td>10.2 - 22.9</td> </tr> <tr> <td>PUHZ-SHW112</td> <td>14.4 - 32.1</td> </tr> <tr> <td>PUHZ-SHW140</td> <td>17.9 - 40.1</td> </tr> <tr> <td>PUHZ-SHW230</td> <td>28.7 - 65.9</td> </tr> </tbody> </table> <p>* The water velocity in pipes should be kept within certain limits of material to avoid erosion corrosion and excessive noise generation. (e.g. Copper pipe: 1.5 m/s)</p>	Outdoor heat pump unit		Water flow rate range [L/min]	Packaged model	PUZ-WM50	6.5 - 14.3	PUZ-WM60	8.6 - 17.2	PUZ-WM85	10.8 - 25.8	PUZ-WM112	14.4 - 32.1	PUZ-HWM140	17.9 - 40.1	Split model	SUZ-SWM40	6.5 - 11.4	SUZ-SWM60	7.2 - 17.2	SUZ-SWM80	7.8 - 21.5	PUHZ-SW75	10.2 - 22.9	PUHZ-SW100	14.4 - 32.1	PUHZ-SW120	20.1 - 45.9	PUHZ-SW160	23.0 - 63.1	PUHZ-SW200	28.7 - 71.7	PUHZ-SHW80	10.2 - 22.9	PUHZ-SHW112	14.4 - 32.1	PUHZ-SHW140	17.9 - 40.1	PUHZ-SHW230	28.7 - 65.9
Outdoor heat pump unit		Water flow rate range [L/min]																																						
Packaged model	PUZ-WM50	6.5 - 14.3																																						
	PUZ-WM60	8.6 - 17.2																																						
	PUZ-WM85	10.8 - 25.8																																						
	PUZ-WM112	14.4 - 32.1																																						
	PUZ-HWM140	17.9 - 40.1																																						
Split model	SUZ-SWM40	6.5 - 11.4																																						
	SUZ-SWM60	7.2 - 17.2																																						
	SUZ-SWM80	7.8 - 21.5																																						
	PUHZ-SW75	10.2 - 22.9																																						
	PUHZ-SW100	14.4 - 32.1																																						
	PUHZ-SW120	20.1 - 45.9																																						
	PUHZ-SW160	23.0 - 63.1																																						
	PUHZ-SW200	28.7 - 71.7																																						
	PUHZ-SHW80	10.2 - 22.9																																						
	PUHZ-SHW112	14.4 - 32.1																																						
	PUHZ-SHW140	17.9 - 40.1																																						
	PUHZ-SHW230	28.7 - 65.9																																						

Continue to the next page.

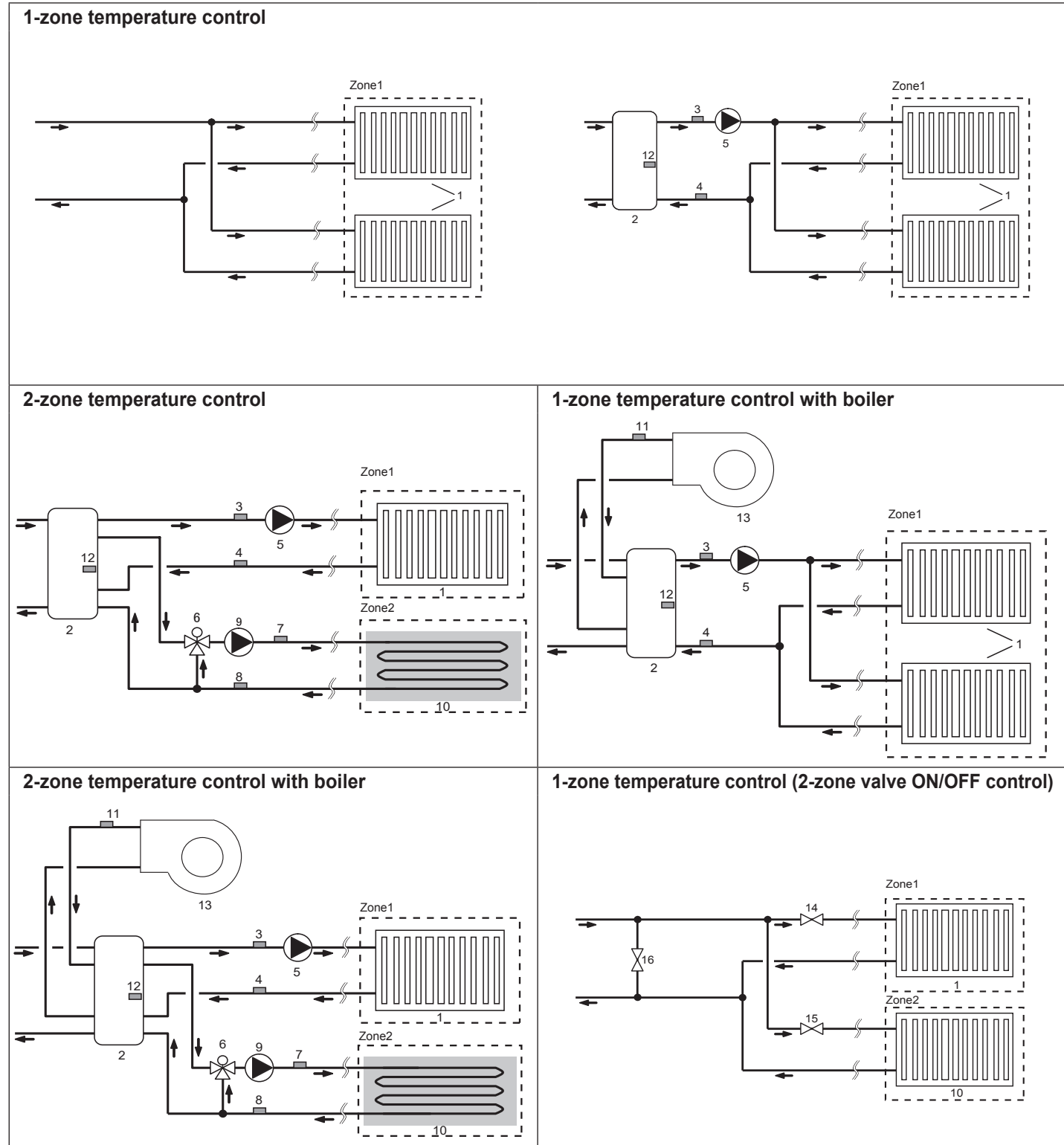
en

3. System

Parts name	Requirement																						
Booster heater	General <ul style="list-style-type: none"> * Consider necessity and capacity of booster heater to meet the following points. <ol style="list-style-type: none"> (1) Heating capacity and flow water temperature should always be sufficient. (2) System can increase the temperature of the stored water in tank to inhibit legionella bacterium growth. (Note) System without neither booster heater or immersion heater, 'Legionella Prevention Mode' is NOT available. <ol style="list-style-type: none"> (3) Water circuit should not be frozen during defrost operation. 																						
	Control Power for Contactor <ul style="list-style-type: none"> Current: 0.5A Max. , Power supply: 230V AC * Use a relay. 																						
	Separate power for Heater <ul style="list-style-type: none"> Install an earth leakage circuit breaker (ECB) for heater, separate from control power (See Fig.1 and Fig.2). * When using two booster heaters, booster heater 1 capacity must be less than that of booster heater 2. When using a single booster heater, connect to BH1 (TBO.5 5-6 (OUT6)) , and turn the Dip SW2-3 to ON. (Booster heater capacity restriction) 																						
	<div style="display: flex; justify-content: space-around;"> <div style="text-align: center;">  <p><Fig. 1 (1 phase)></p> </div> <div style="text-align: center;">  <p><Fig. 2 (3 phase)></p> </div> </div> <p>Heater capacity/Breaker/wiring (recommended)</p> <p><1 Phase></p> <table border="1" style="width: 100%; border-collapse: collapse;"> <thead> <tr> <th>Description</th> <th>Power supply</th> <th>Total capacity (BH1 + BH2)</th> <th>Breaker</th> <th>Wiring</th> </tr> </thead> <tbody> <tr> <td rowspan="2">Booster heater (Primary circuit)</td> <td rowspan="2">~ /N 230V 50Hz</td> <td>2 kW (2 kW + 0 kW)</td> <td>16 A</td> <td>2.5 mm²</td> </tr> <tr> <td>6 kW (2 kW + 4 kW)</td> <td>32 A</td> <td>6.0 mm²</td> </tr> </tbody> </table> <p><3 Phase></p> <table border="1" style="width: 100%; border-collapse: collapse;"> <thead> <tr> <th>Description</th> <th>Power supply</th> <th>Total capacity (BH1 + BH2)</th> <th>Breaker</th> <th>Wiring</th> </tr> </thead> <tbody> <tr> <td>Booster heater (Primary circuit)</td> <td>3~ 400V 50Hz</td> <td>9 kW (3 kW + 6 kW)</td> <td>16 A</td> <td>2.5 mm²</td> </tr> </tbody> </table> <p>* When installing a booster heater with the capacity of bigger than shown above, select an appropriate size breaker and cable (diameter) based on the maximum possible electric current.</p>	Description	Power supply	Total capacity (BH1 + BH2)	Breaker	Wiring	Booster heater (Primary circuit)	~ /N 230V 50Hz	2 kW (2 kW + 0 kW)	16 A	2.5 mm ²	6 kW (2 kW + 4 kW)	32 A	6.0 mm ²	Description	Power supply	Total capacity (BH1 + BH2)	Breaker	Wiring	Booster heater (Primary circuit)	3~ 400V 50Hz	9 kW (3 kW + 6 kW)	16 A
Description	Power supply	Total capacity (BH1 + BH2)	Breaker	Wiring																			
Booster heater (Primary circuit)	~ /N 230V 50Hz	2 kW (2 kW + 0 kW)	16 A	2.5 mm ²																			
		6 kW (2 kW + 4 kW)	32 A	6.0 mm ²																			
Description	Power supply	Total capacity (BH1 + BH2)	Breaker	Wiring																			
Booster heater (Primary circuit)	3~ 400V 50Hz	9 kW (3 kW + 6 kW)	16 A	2.5 mm ²																			
Safety device <ul style="list-style-type: none"> (1) Use an overheat protection thermostat (manual reset type) (to detect unusual temperature increase/heating up without water). Protection device operating temperature must be above 80°C. Protection device should not operate quickly, but water circuit must not boil even when heater(s) overshoot. (Reference value) Thermostat operation temperature used in our Cylinder unit and Hydrobox : 90°C ± 4°C (2) Connect a pressure relief valve on the primary circuit side. 																							
Immersion heater	General <ul style="list-style-type: none"> * Consider necessity and capacity of immersion heater to meet the following points. <ol style="list-style-type: none"> (1) Heating capacity and flow water temperature should always be sufficient. (2) System can increase the temperature of the stored water in tank to inhibit legionella bacterium growth. (Note) System without neither booster heater or immersion heater can not select 'Legionella Prevention Mode'. 																						
Control Power for Contactor <ul style="list-style-type: none"> Current: 0.5A Max. , Power supply: 230V AC * Use a relay. 																							
Separate power for heater <ul style="list-style-type: none"> Install an earth leakage circuit breaker (ECB) for heater, separate from control power (See Fig.1 and Fig.2). * ECB is built-in in PAC-IF072/073B-E. Heater capacity/Breaker/wiring (recommended) <p><1 Phase></p> <table border="1" style="width: 100%; border-collapse: collapse;"> <thead> <tr> <th>Description</th> <th>Power supply</th> <th>Capacity</th> <th>Breaker</th> <th>Wiring</th> </tr> </thead> <tbody> <tr> <td>Immersion heater (DHW tank)</td> <td>~ /N 230V 50Hz</td> <td>3 kW</td> <td>16 A</td> <td>2.5 mm²</td> </tr> </tbody> </table> <p>* When installing an immersion heater with the capacity of bigger than shown above, select an appropriate size breaker and cable (diameter) based on the maximum possible electric current.</p>	Description	Power supply	Capacity	Breaker	Wiring	Immersion heater (DHW tank)	~ /N 230V 50Hz	3 kW	16 A	2.5 mm ²													
Description	Power supply	Capacity	Breaker	Wiring																			
Immersion heater (DHW tank)	~ /N 230V 50Hz	3 kW	16 A	2.5 mm ²																			
Safety device <ul style="list-style-type: none"> (1) Install the thermistor THW5B (optional parts PAC-TH011TK2-E(5 m) or PAC-TH011TKL2-E(30 m)) on the DHW tank. Note that PAC-IF073B-E comes with THW5B. (Microcomputer detecting temperature for protection: 80°C) (2) Use a built-in direct cut-off thermostat (manual reset type). Protection device operating temperature must be above 80°C. Protection device should not operate quickly, but water circuit must not boil even when a heater overshoots. (Reference value) Thermostat operation temperature used in our Cylinder unit : 85°C ± 5°C (3) Connect a pressure relief valve on the sanitary water side. 																							
Mixing valve	Current: 0.1 A Max. (If over 0.1 A you must use a relay) Power supply: 230V AC Connect earth cable, if there is one. Type: Refer to the right figure. <div style="text-align: center;">  <p>Mixing valve</p> </div>																						
Expansion Vessel (Primary circuit side) Expansion Vessel (Sanitary water side)	When the water circuit is closed, select the expansion vessel according to water quantity of the water circuit. * Follow the national regulations.																						
Limits of TOTAL electric current when connecting local supply parts	Option 1. (Power supply from outdoor unit) TOTAL current requirement MUST be ≤ 3A. (otherwise, the fuse on the outdoor unit PCB will blow.) Option 2. (Independent power supply (i.e. from the FTC unit itself)) TOTAL current of the pump(s) MUST be ≤ 4A. The total current allowed for parts except pumps is ≤ 3A. (otherwise, the fuse on the FTC PCB will blow.)																						

3. System

3.5 Local system



- 1. Zone1 heat emitters (e.g. radiator, fan coil unit) (local supply)
- 2. Mixing tank (local supply)
- 3. Zone1 flow water temp. thermistor (THW6)
- 4. Zone1 return water temp. thermistor (THW7) } Optional part : PAC-TH011-E
- 5. Zone1 water circulation pump (local supply)
- 6. Motorized mixing valve (local supply)
- 7. Zone2 flow water temp. thermistor (THW8)
- 8. Zone2 return water temp. thermistor (THW9) } Optional part : PAC-TH011-E
- 9. Zone2 water circulation pump (local supply)

- 10. Zone2 heat emitters (e.g. underfloor heating) (local supply)
- 11. Boiler flow water temp. thermistor (THWB1)
- 12. Mixing tank thermistor (THW10) } Optional part : PAC-TH012HT(L)-E
- 13. Boiler (local supply)
- 14. Zone1 2-way valve (local supply)
- 15. Zone2 2-way valve (local supply)
- 16. Bypass valve (local supply)

en

3. System

3.6 Minimum amount of water required in the space heating/cooling circuit

Outdoor heat pump unit		*Total required water amount [L]	
		Average / Warmer climate**	Colder climate**
Packaged model	PUZ-WM50	7	29
	PUZ-WM60	9	34
	PUZ-WM85	12	37
	PUZ-WM112	16	48
	PUZ-HWM140	20	60
Split model	SUZ-SWM40	6	17
	SUZ-SWM60	7	26
	SUZ-SWM80	9	34
	PUHZ-SW75	11	32
	PUHZ-SW100	14	43
	PUHZ-SW120	17	52
	PUHZ-SW160	23	69
	PUHZ-SW200	29	86
	PUHZ-SHW80	11	34
	PUHZ-SHW112	16	48
	PUHZ-SHW140	20	60
	PUHZ-SHW230	33	99

<Table 3.6.1>

* If there is a bypass circuit, above table means minimum water amount in case of bypass.

** Please refer to 2009/125/EC: Energy-related Products Directive and Regulation (EU) No 813/2013 to confirm your climate zone.

Case 1. No division between primary and secondary circuit

• Please ensure the required water amount according to the table 3.6.1 by water pipe and radiator or underfloor heating.

Case 2. Separate primary and secondary circuit

• If the interlock operation of primary and secondary pump is not available, please ensure required additional water in only primary circuit according to the table 3.6.1.

• If the interlock operation of primary and secondary pump is available, please ensure total water amount of primary and secondary circuit according to the table 3.6.1.

In case of the shortage of required water amount, please install buffer tank.

3.7 Energy monitor *3

End user can monitor accumulated*1 'Consumed electric energy' and 'Delivered heat energy' in each operation mode*2 on the main remote controller.

*1 Monthly and Year to date

*2 - DHW operation

- Space heating

- Space cooling

*3 Not available during Multiple outdoor unit control.

Refer to "7.2 Main remote controller" for how to check the energy, and "5.1 DIP switch functions" for the details on DIP-SW setting.

Either one of the following two method is used for monitoring.

Note: The method 1 should be used as a guide. If a certain accuracy is required, the method 2 should be used.

1. Calculation internally

Electricity consumption is calculated internally based on the energy consumption of outdoor unit, electric heater, water pump(s) and other auxiliaries.

Delivered heat is calculated internally by multiplying delta T (Flow and Return temp.) and flow rate measured by the locally supplied sensors.

Set the electric heater capacity and water pump(s) input according to indoor unit model and specs of additional pump(s) supplied locally. (Refer to the menu tree in "7.2 Main remote controller")

Booster heater1	Booster heater2	Immersion heater	Pump1	Pump2	Pump3
2kW*1	4kW*1	0kW*1	*** *1	0W*1	0W*1

<Table 3.7>

*1 Be sure to change the setting corresponding to the specification of locally supplied auxiliaries such as electric heater and pump.

When anti-freeze solution (propylene glycol) is used for primary water circuit, set the delivered energy adjustment if necessary.

For further detail of above, refer to "7.2 Main remote controller".

2. Actual measurement by external meter (locally supplied)

FTC has external input terminals for 2 'Electric energy meters' and a 'Heat meter'.

If two 'Electric energy meters' are connected, the 2 recorded values will be combined at the FTC and shown on the main remote controller.

(e.g. Meter 1 for H/P power line, Meter 2 for heater power line)

Refer to the [Signal inputs] section in "4.5 Connecting inputs/outputs" for more information on connectable electric energy meter and heat meter.

4. Electrical work

4.1 Electrical connection

All electrical work should be carried out by a suitably qualified technician. Failure to comply with this could lead to electrocution, fire, and death. It will also invalidate product warranty. All wiring should be according to national wiring regulations.

For multiple outdoor units control with FTC (Slave), see section 9.

FTC (Master) can be powered in two ways.

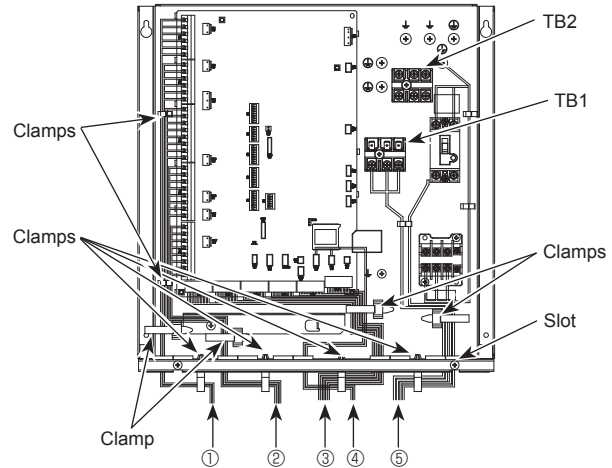
1. Power cable is run from the outdoor unit to FTC (Master).
2. FTC (Master) has independent power source.

Connections should be made to the terminals indicated in the following figures depending on the phase.

Breaker abbreviation	Meaning
ECB	Earth leakage circuit breaker for immersion heater
TB1	Terminal bed 1
TB2	Terminal bed 2

Immersion heater should be connected independently from one another to dedicated power supplies.

- Notes:**
1. Do not run the low voltage cables through a slot that the high voltage cables go through.
 2. Do not run other cables except low voltage cables through a slot that the wireless receiver's cable goes through.
 3. Do not bundle power cables together with other cables.
 4. Bundle cables as figure above by using clamps.

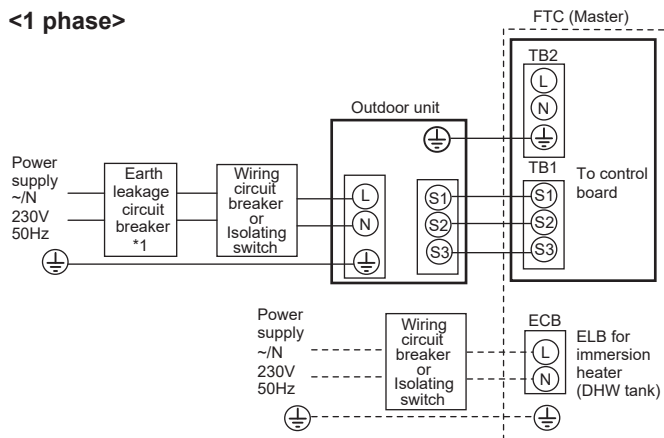


- ① High voltage cables (OUTPUT)
- ② High voltage cables (OUTPUT)
- ③ Low voltage cables (INPUT) and wireless receiver's cable
- ④ Thermistor cables
- ⑤ Power cables

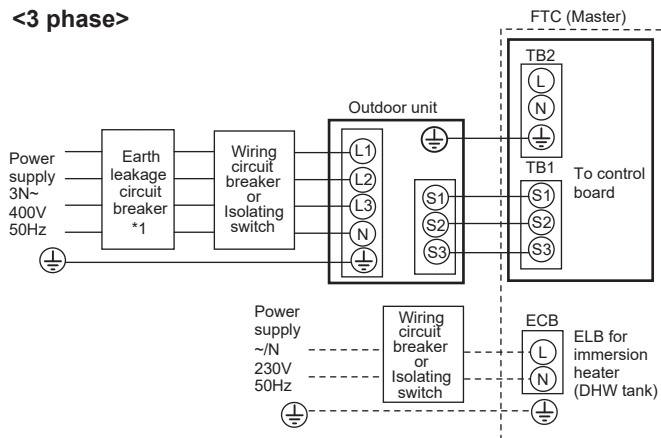
<Fig. 4.1.1> Wiring for PAC-IF07*B-E

Option 1: FTC (Master) powered via outdoor unit

<1 phase>



<3 phase>



□ : PAC-IF071B-E

□ : PAC-IF072/073B-E

<Fig. 4.1.2>

Electrical connections 1 phase/3 phase

*1. If the installed earth leakage circuit breaker does not have an over-current protection function, install a breaker with that function along the same power line.

A breaker with at least 3.0 mm contact separation in each pole shall be provided. Use earth leakage breaker (NV).

The breaker shall be provided to ensure disconnection of all active phase conductors of the supply.

Note: In accordance with IEE regulations the circuit breaker/isolating switch located on the outdoor unit should be installed with lockable devices (health and safety).

Wiring No. Wiring size (mm ²)	FTC (Master) - Outdoor unit	*2	3 × 1.5 (polar)
	FTC (Master) - Outdoor unit earth	*2	1 × Min. 1.5
Circuit rating	FTC (Master) - Outdoor unit S1 - S2	*3	230V AC
	FTC (Master) - Outdoor unit S2 - S3	*3	24V DC

*2. Max. 45 m

If 2.5 mm² used, Max. 50 m

If 2.5 mm² used and S3 separated, Max. 80 m

*3. The values given in the table above are not always measured against the ground value.

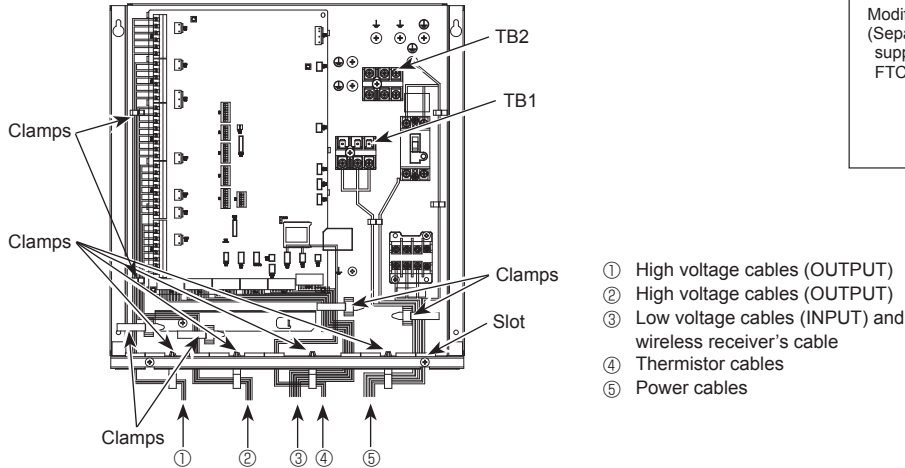
- Notes:**
1. Wiring size must comply with the applicable local and national codes.
 2. FTC (Master)/outdoor unit connecting cords shall not be lighter than polychloroprene sheathed flexible cord. (Design 60245 IEC 57)
FTC (Master) power supply cords shall not be lighter than polychloroprene sheathed flexible cord. (Design 60227 IEC 53)
 3. Install an earth longer than other cables.
 4. Please keep enough output capacity of power supply for each individual heater. Insufficient power supply capacity might cause chattering.

4. Electrical work

Option 2: FTC (Master) powered by independent source

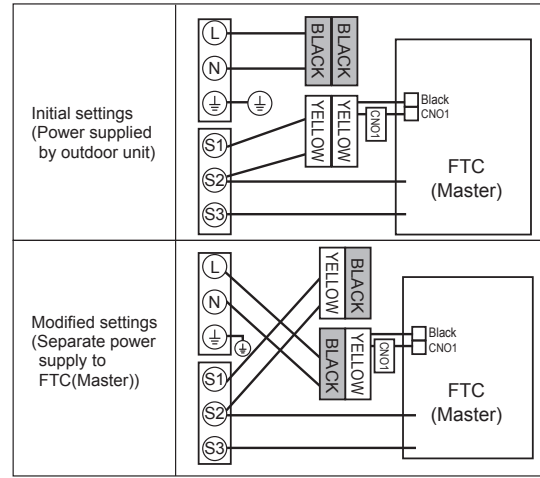
If FTC (Master) and outdoor units have separate power supplies, the following requirements MUST be carried out:

- **FTC (Master) unit electrical box connector connections changed.** (see Fig. 4.1.3)
 - **Outdoor unit DIP switch settings changed to SW8-3 ON.**
 - **Turn on the outdoor unit before the FTC (Master).**
 - **Power by independent source is not available for particular models of outdoor unit model.**
- For more detail, refer to the connecting outdoor unit installation manual.



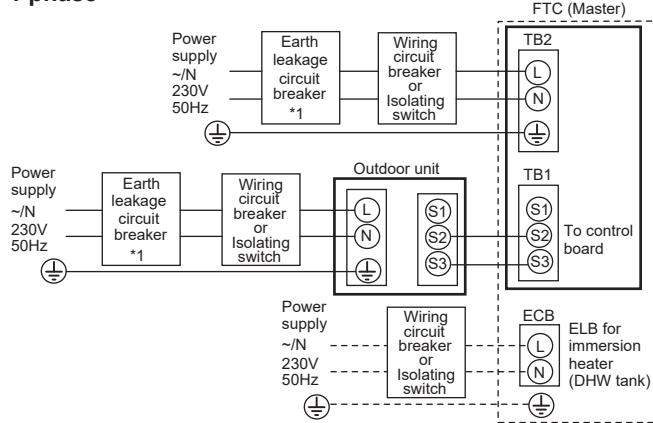
<Fig. 4.1.4> Wiring for PAC-IF07*B-E

- Notes: 1. Do not run the low voltage cables through a slot that the high voltage cables go through.
 2. Do not run other cables except low voltage cables through a slot that the wireless receiver's cable goes through.
 3. Do not bundle power cables together with other cables.
 4. Bundle cables as figure above by using clamps.

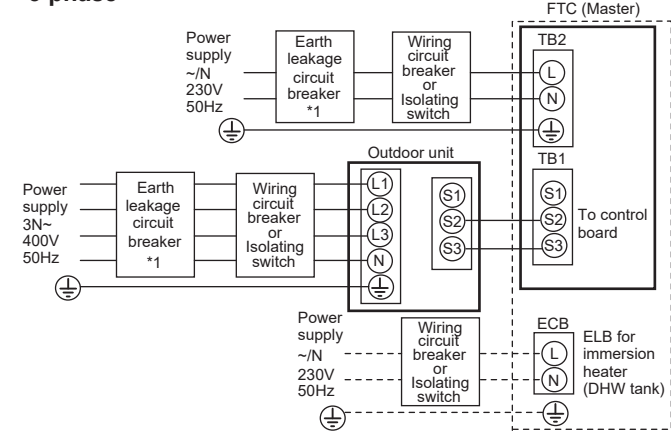


<Fig. 4.1.3>

<1 phase>



<3 phase>



<Fig. 4.1.5>

Electrical connections 1 phase/3 phase

□ : PAC-IF071B-E

□ : PAC-IF072/073B-E

*1. If the installed earth leakage circuit breaker does not have an over-current protection function, install a breaker with that function along the same power line.

A breaker with at least 3.0 mm contact separation in each pole shall be provided. Use earth leakage breaker (NV).

The breaker shall be provided to ensure disconnection of all active phase conductors of the supply.

Note: In accordance with IEE regulations the circuit breaker/isolating switch located on the outdoor unit should be installed with lockable devices (health and safety).

FTC (Master) power supply		~N 230 V 50 Hz
FTC (Master) input capacity		16 A
Main switch (Breaker)		*1
Wiring Wiring No. x size (mm ²)	FTC (Master) power supply	2 x Min. 1.5
	FTC (Master) power supply earth	1 x Min. 1.5
	FTC (Master) - Outdoor unit	*2 2 x Min. 0.3
	FTC (Master) - Outdoor unit earth	—
Circuit rating	FTC (Master) L - N	*3 230V AC
	FTC (Master) - Outdoor unit S1 - S2	*3 —
	FTC (Master) - Outdoor unit S2 - S3	*3 24V DC

*2. Max. 120 m

*3. The values given in the table above are not always measured against the ground value.

Notes: 1. Wiring size must comply with the applicable local and national codes.

2. FTC (Master) unit/outdoor unit connecting cords shall not be lighter than polychloroprene sheathed flexible cord. (Design 60245 IEC 57)
 FTC (Master) unit power supply cords shall not be lighter than polychloroprene sheathed flexible cord. (Design 60227 IEC 53)

3. Install an earth longer than other cables.

4. Please keep enough output capacity of power supply for each individual heater. Insufficient power supply capacity might cause chattering.

4. Electrical work

4.2 Connecting the main remote controller

4.2.1 Connect the main remote controller cable to FTC (Master)

Connect the main remote controller cable to 1 and 2 on the terminal block (TBI. 6) on the FTC (Master) controller. <Fig. 4.2.1>

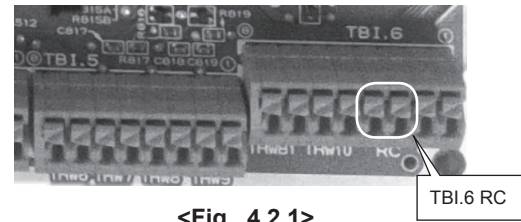
Wiring wire No. × size (mm²): 2 × 0.3 (non polar)

The 10 m wire is attached as an accessory. Max. 500 m

Wiring size must comply with the applicable local and national codes.

Circuit rating: 12V DC

Circuit rating is NOT always against the ground.



<Fig. 4.2.1>

Location to place the main remote controller

When using the Remote controller options (refer to section 4.3), place the main remote controller on appropriate location that meets the following points to detect room temperature.

- Do not place the main remote controller in the periphery of a door or a window.
- Do not place the main remote controller near heat or cold sources, such as a radiator or the like.

Notes:

Wiring for main remote controller cable shall be (5 cm or more) apart from power source wiring so that it is not influenced by electric noise from power source wiring. (Do not insert main remote controller cable and power source wiring in the same conduit.) (Refer to Fig. 4.1.1)

Stranded wire should be processed with insulation-covered bar terminal (DIN46228-4 standard compatible type).

4.2.2 Installing the main remote controller

1. The main remote controller can be installed either in the switch box or directly on the wall. Perform the installation properly according to the method.

- (1) Secure clearances shown in <Fig. 4.2.2> regardless of whether installing the main remote controller either directly on the wall or in the switch box.
- (2) Prepare the following items in the field.

- Double switch box
- Thin metal conduit
- Locknut and bushing
- Cable cover
- Wall plug

2. Drill an installation hole in the wall.

- Installation using a switch box
 - Drill a hole in the wall for the switch box, and install the switch box in the hole.
 - Fit the conduit tube into the switch box.
- Direct wall installation
 - Drill a cable access hole and thread the main remote controller cable through it.

⚠ Caution:

To prevent entry of dew, water, and insects, seal the gap between the cable and the hole through which the cable is threaded with putty. Otherwise, electric shock, fire, or failure may result.

3. Have the main remote controller ready.

Remove the bottom case from the main remote controller.

4. Connect the main remote controller cable to the terminal block on the bottom case. Modify the main remote controller cable as shown in <Fig. 4.2.5>, and thread the cable from behind the bottom case.

Completely thread the cable to the front so that the unsheathed part of the cable cannot be seen behind the bottom case.

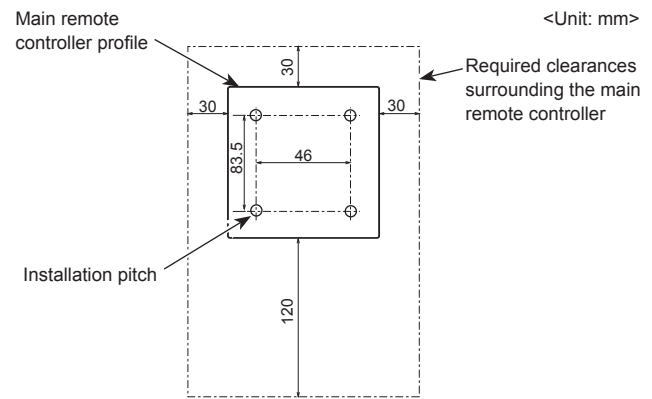
Connect the main remote controller cable to the terminal block on the bottom case.

- Direct wall installation
 - Seal the gap between the cable and the hole through which the cable is threaded.

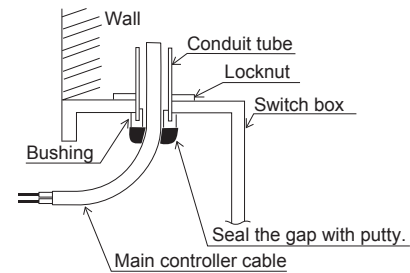
⚠ Caution

To prevent electric shock or failure, keep the sheath ends or any other foreign objects out of the terminal block.

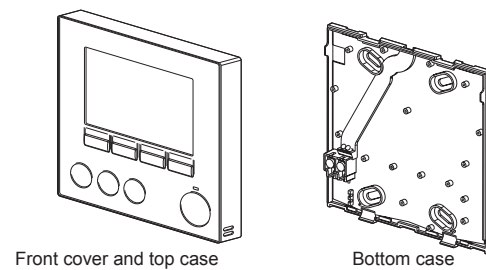
Do not use ring terminals to connect the wires to the terminal block on the bottom case. The terminals will come in contact with the control board and the front cover, which will result in failure.



<Fig. 4.2.2>

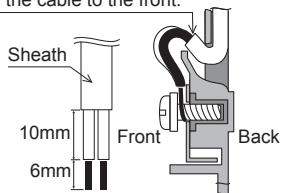


<Fig. 4.2.3>

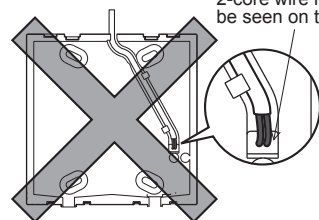


<Fig. 4.2.4>

Thread the sheath part of the cable to the front.

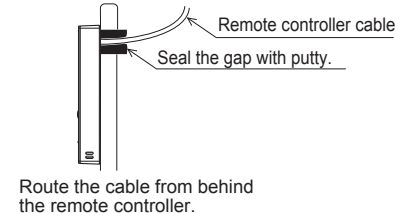
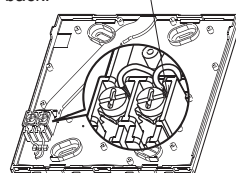


Thread the cable.



<Fig. 4.2.5>

Connect the cable. (non-polarized)
Connect the cable so that the cable sheath is not pinched.



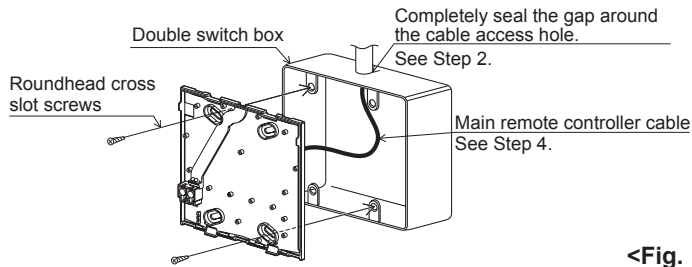
Route the cable from behind the remote controller.

4. Electrical work

5. Install the bottom case.

■ Installation using a switch box

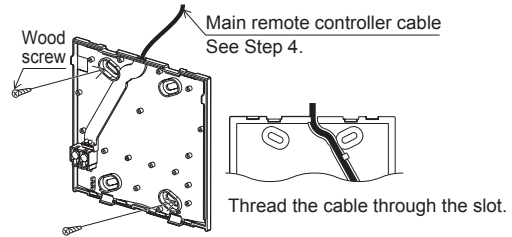
- When installing the bottom case in the switch box, secure at least two corners of the switch box with screws.



<Fig. 4.2.6>

■ Direct wall installation

- Thread the cable through the slot provided.
- When mounting the bottom case on the wall, secure at least two corners of the main remote controller with screws.
- To prevent the bottom case from lifting, use top-left bottom-right corners of the main remote controller (viewed from the front) to secure the bottom case to the wall with wall plugs or the like.



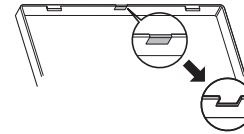
⚠ Caution:

To avoid causing deformation or cracks to the main remote controller, do not overtighten the screws and make an additional installation hole(s).

6. Cut out the cable access hole.

■ Direct wall installation

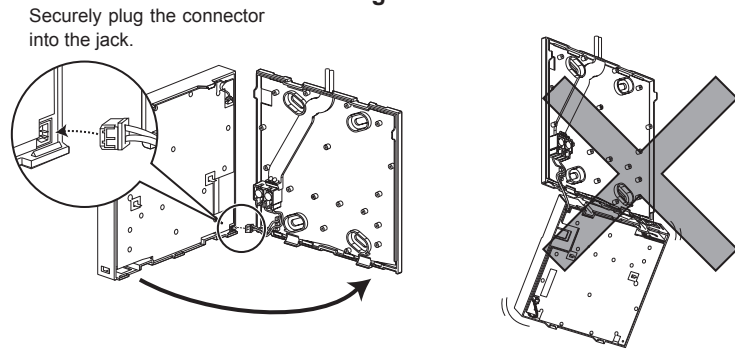
- Cut out the knockout hole (indicated with grey in <Fig. 4.2.7>) in the front cover by knife or nipper.
- Thread the main remote controller cable from the slot behind the bottom case through this access hole.



<Fig. 4.2.7>

7. Plug the lead wire cable into the top case.

Plug the lead wire cable coming from the bottom case into the top case.



<Fig. 4.2.8>

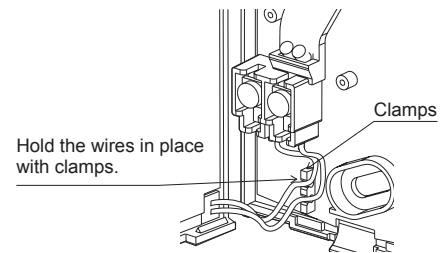
⚠ Caution:

To avoid failures, do not remove the controller board protective sheet and the controller board from the top case. After the cable is plugged into the top case, do not hang the top case as shown in <Fig. 4.2.8>. Otherwise, the main remote controller cable could sever, which could cause malfunction to the main remote controller.

8. Fit the lead wires into the clamps.

⚠ Caution:

Hold the wires in place with clamps to prevent excessive strain from being applied on the terminal block and causing cable breakage.



<Fig. 4.2.9>

4. Electrical work

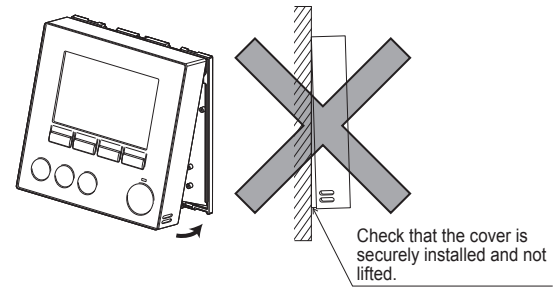
9. Fit the top case and the front cover onto the bottom case.

The top case assembly (fitted with the front cover at factory shipment) has two tabs on top. Hook the tabs onto the bottom case and snap the top case onto the bottom case into place. Check that the cover is securely installed.

⚠ Caution:

When the top case is correctly attached to the bottom case a click is heard. If the front cover is not clicked into place it may fall off.

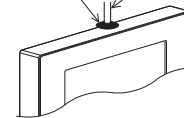
- Direct wall installation (when routing the main remote controller cable along the wall surface)
 - Thread the main remote controller cable through the cable access hole at the top of the main remote controller.
 - Seal the gap between the cable and the access hole with putty.
 - Use a cable cover.



<Fig. 4.2.10>

Seal the gap between the cable and the access hole with putty.

Use a cable cover.



Thread the main remote controller cable through the cable access hole at the top of the main remote controller.

<Fig. 4.2.11>

■ Disassembling the top case and the front cover

(1) Remove the front cover.

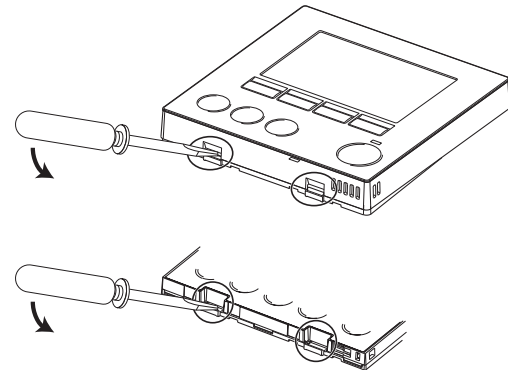
Insert a flat head screwdriver into either of two open slots at the bottom of the main remote controller and move the screwdriver handle downward as shown. The engagement of the tabs will be released. Then pull the front cover toward the front to remove the front cover.

(2) Remove the top case.

Insert a flat head screwdriver into either of two open slots at the bottom of the main remote controller. The subsequent procedure is the same as that of the front cover.

⚠ Caution:

Use a 5 mm- flat head screwdriver. Do not turn the screwdriver forcibly while placing the blade in the slots. Doing so could break the covers.



<Fig. 4.2.12>

4. Electrical work

4.3 Main Remote Controller Options

The FTC (cased) comes factory fitted with a main remote controller. This incorporates a thermistor for temperature monitoring and a graphical user interface to enable set-up, view current status and input scheduling functions. The main remote controller is also used for servicing purposes. This facility is accessed via password protected service menus.

To provide the best efficiency Mitsubishi Electric recommends using automatic adaptation function based on room temperature. To use this function a room thermistor needs to be present in a main living area. This can be done in a number of ways the most convenient are detailed below.

Refer to heating section of this manual for instructions on how to set compensation curve, flow temp. or room temp. (Auto adaptation).

For instructions on how to set the thermistor input for the FTC (Master) please refer to Initial settings section.

The factory setting for space heating mode is set to Room temp. (auto adaptation). If there is no room sensor present in the system, this setting must be changed to either Compensation curve mode or Flow temp. mode.

Note: Auto-adaptation is not available in Cooling mode.

■ 1-zone temperature control

<p>Control option A</p> <p>This option features the main remote controller and the Mitsubishi Electric wireless remote controller. The wireless remote controller is used to monitor room temperature and can be used to make changes to the space heating settings, boost DHW (*1) and switch to holiday mode without having to directly use the main remote controller.</p> <p>If more than one wireless remote controller is used, the most recently requested temperature setting will commonly be applied to all rooms by the central control system regardless of which wireless remote controller was used. No hierarchy exists across these remote controllers.</p> <p>Wire the wireless receiver to FTC (Master) referring to the wireless remote controller instruction manual. Turn DIP SW-1-8 to ON. Before operation configure the wireless remote controller to transmit and receive data referring to the wireless remote controller installation manual.</p>	
<p>Control option B</p> <p>This option features the main remote controller and the Mitsubishi Electric thermistor wired to FTC (Master). The thermistor is used to monitor room temperature but can not make any changes in control operation. Any changes to DHW (*1) must be made using the main remote controller mounted on the FTC (Master).</p> <p>Wire the thermistor to the CN20 connector on FTC (Master). The number of room temperature thermistors that can be connected to FTC (Master) is always one.</p>	
<p>Control option C</p> <p>This option features the main remote controller being removed from the FTC (Master) and situated in a different room. A thermistor built in the main remote controller can be used for monitoring the room temperature for Auto Adaptation function whilst keeping all its features of the main remote controller available.</p> <p>The main remote controller and FTC (Master) are connected by a 2-core, 0.3 mm², non-polar cable (local supply) with a maximum length of 500 m.</p> <p>To use the sensor in the main remote controller, the main remote controller should come off from the FTC (Master). Otherwise it will detect the temperature of the FTC (Master) instead of room temperature. This will affect the output of the space heating.</p>	
<p>Control option D (Flow temp. or compensation curve only)</p> <p>This option features the main remote controller and a locally supplied thermostat wired to FTC (Master). The thermostat is used to set the maximum temperature for heating room. Any changes to DHW (*1) must be made using main remote controller mounted on the FTC (Master).</p> <p>The thermostat is wired to IN1 in TBI.1 on FTC (Master). The number of thermostats that can be connected to FTC (Master) is always one.</p> <p>The wireless remote controller can be also used as a thermostat.</p>	

*1 If applicable

4. Electrical work

■ 2-zone temperature control

<p>Control option A</p> <p>This option features the main remote controller, the Mitsubishi Electric wireless remote controller and a locally supplied thermostat.</p> <p>The wireless remote controller is used to monitor the Zone1 room temperature and the thermostat is used to monitor the Zone2 room temperature.</p> <p>The thermostat can be also allocated to Zone1 and the wireless remote controller to Zone2.</p> <p>The wireless remote controller can be also used to make changes to the space heating settings, boost DHW (*1) and switch to holiday mode without having to use the main remote controller.</p> <p>If more than one wireless remote controller is used, the last temperature setting adjustment/demand will be applied to ALL rooms in same zone.</p> <p>Wire the wireless receiver to FTC (Master) referring to the wireless remote controller instruction manual. Turn DIP SW1-8 to ON. Before operation configure the wireless remote controller to transmit and receive data referring to the wireless remote controller installation manual.</p> <p>The thermostat is used to set the maximum temperature for heating Zone2 room. The thermostat is wired to IN6 on FTC (Master). (If the thermostat is allocated to Zone1, it is wired to IN1 on TBI.1.) (Refer to 4.5.)</p>	<p>Zone1: Room temp. control (Auto adaptation) Zone2: Compensation curve or flow temp. control</p>
<p>Control option B</p> <p>This option features the main remote controller, the Mitsubishi Electric thermistor and a locally supplied thermostat that are wired to FTC (Master).</p> <p>The thermistor is used to monitor the Zone1 room temperature and the thermostat is used to control the Zone2 room temperature.</p> <p>The thermostat can be also allocated to Zone1 and the thermistor to Zone2.</p> <p>The thermistor can not make any changes in control operation. Any changes to DHW (*1) must be made using the main remote controller mounted on the FTC (Master).</p> <p>Wire the thermistor to the CN20 connector on FTC (Master).</p> <p>The number of room temperature thermistors that can be connected to FTC (Master) is always one.</p> <p>The thermostat is used to set the maximum temperature for heating Zone2 room. The thermostat is wired to IN6 on FTC (Master). (If the thermostat is allocated to Zone1, wire it to IN1 on TBI.1.) (Refer to 4.5.)</p>	<p>Zone1: Room temp. control (Auto adaptation) Zone2: Compensation curve or flow temp. control</p>
<p>Control option C</p> <p>This option features the main remote controller (with in-built thermistor) that is removed from the FTC (Master) to monitor the Zone1 room temperature and a locally supplied thermostat to monitor the Zone2 room temperature.</p> <p>The thermostat can be also allocated to Zone1 and the thermistor to Zone2.</p> <p>A thermistor built into the main remote controller can be used for monitoring the room temperature for Auto Adaptation function whilst keeping all its features of the main remote controller available.</p> <p>The main remote controller and FTC (Master) are connected by a 2-core, 0.3 mm², non-polar cable (local supply) with a maximum length of 500 m.</p> <p>To use the sensor in the main remote controller, the main remote controller should be detached from the FTC (Master). Otherwise it will detect the temperature of the FTC (Master) instead of room temperature. This will affect the output of the space heating.</p> <p>The thermostat is used to set the maximum temperature for heating Zone2 room. The thermostat is wired to IN6 on FTC (Master). (If the thermostat is allocated to Zone1, wire it to IN1 on TBI.1.) (Refer to 4.5.)</p>	<p>Zone1: Room temp. control (Auto adaptation) Zone2: Compensation curve or flow temp. control</p>
<p>Control option D</p> <p>This option features the locally supplied thermostats wired to FTC (Master). The thermostats are individually allocated to Zone1 and Zone2. The thermostats are used to set each maximum temperature for heating Zone1 and Zone2 rooms. Any changes to DHW (*1) must be made using the main remote controller mounted on the FTC (Master).</p> <p>The thermostat for Zone1 is wired to IN1 in TBI.1 on FTC (Master).</p> <p>The thermostat for Zone2 is wired to IN6 in TBI.1 on FTC (Master).</p>	<p>Zone1, Zone2: Compensation curve or flow temp. control</p>

Note: For the options above, the sensor types can be exchanged between Zone1 and Zone2.

(e.g. Wireless remote controller in Zone1 and Room temp. thermostat in Zone2 can be changed to Room temp. thermostat and wireless remote controller, respectively).

*1 If applicable

★ The wireless remote controller can be also used as a thermostat.

4. Electrical work

4.4. Connecting the thermistor cables

Connect the thermistor for the FTC (Master) controller.
For multiple outdoor units control with FTC (Slave), see section 9.

4.4.1 Connecting the room temp. thermistor (TH1) cable

TH1 is an optional part (PAC-SE41TS-E).
TH1 is required to use the auto adaptation function. However, when room temperature detection is conducted by the main remote controller or the wireless remote controller (optional), this part is not required.

Connect the TH1 cable to the CN20 connector on FTC (Master).
When the TH1 cable is too long, bundle the excess cable outside the FTC (Master) unit.
For more details, refer to Section 4.3 in this manual or the installation manual that comes with PAC-SE41TS-E.
When using TH1, place this sensor on appropriate location to detect room temperature.

4.4.2. Connecting the refrigerant pipe temp. thermistor (TH2) cable

Connect the TH2 to the CN21 connector on FTC (Master).
For split Outdoor unit : Connect TH2.
For packaged Outdoor unit : It is NOT necessary to connect TH2.

When the TH2 cable is too long, bundle the excess cable outside the FTC (Master) unit.
Do not bind the wires in the FTC (Master) unit.

<Thermistor position>

Place TH2 on **refrigerant** piping (**liquid** side).
It is recommended to protect the thermistor with heat insulating materials so as not to be affected by ambient temperature.
Note: Be sure to place TH2 where it correctly detects refrigerant piping temp. (liquid side).
Because;
(1) TH2 is required to detect heating subcool correctly.
(2) Refrigerant temperature of water-to-refrigerant heat exchanger also needs to be detected for protection purpose.

4.4.3. Connecting the flow water temp. thermistor (THW1) cable and the return water temp. thermistor (THW2) cable

The THW1 and the THW2 cables share a connector, and the connector connects to CNW12 connector on FTC (Master).

When the THW1 and THW2 cables are too long, bundle the excess cables outside the FTC (Master) unit.
Do not bind the wires in the FTC (Master) unit.

<Thermistor position>

Place THW1 on **water** piping (water **outlet** side) after booster heater, and THW2 on the water inlet side.
It is recommended to protect the thermistor with heat insulating materials so as not to be affected by ambient temperature.
Note: Be sure to attach THW1 where it correctly detects Flow temp. (water outlet side). For more details, see Page 6.

4.4.4. Connecting the actual DHW tank thermistor (THW5B) cable

THW5B is an optional part (PAC-TH011TK2-E(5 m) or PAC-TH011TKL2-E(30 m)). However, PAC-IF073B-E comes with THW5B.
Connect the THW5B cable to the CNW5 connector on FTC (Master) if the DHW tank is available.
When the THW5B cable supplied with FTC (Master) is too long, bundle the excess cable outside the FTC (Master) unit.
Do not bind the wires in the FTC (Master) unit.

<Thermistor position>

Place THW5 on the position where tank water temperature can be detected correctly.
It is recommended to position the thermistor at the mid height of the DHW tank (to control DHW heating with this sensor).
It is recommended to protect the thermistor with heat insulating materials so as not to be affected by ambient temperature.
Especially for double (insulated) tank, thermistor should be attached to the inner side (to detect the water temperature).

Note:

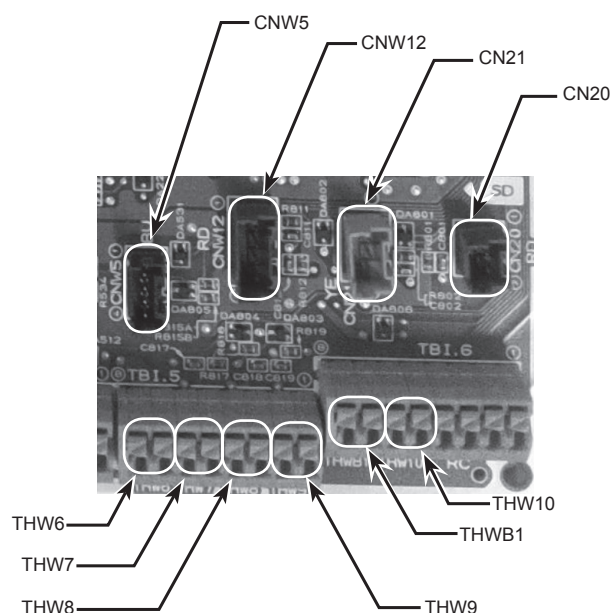
Stranded wire should be processed with insulation-covered bar terminal (DIN46228-4 standard compatible type).

The necessary thermistor (THW6, THW7, THW8, THW9) connection for 2-zone temperature control, refer to "4.7 Wiring for 2-zone temperature control".

The necessary thermistor (THWB1, THW6, THW7) connection for back-up operation of boiler, refer to the installation manual of PAC-TH012HT-E.

⚠ Caution:

Do not route the thermistor cables together with power cables.
The sensor part of the thermistor should be installed where user can not access.



<Fig. 4.4.1>

4. Electrical work

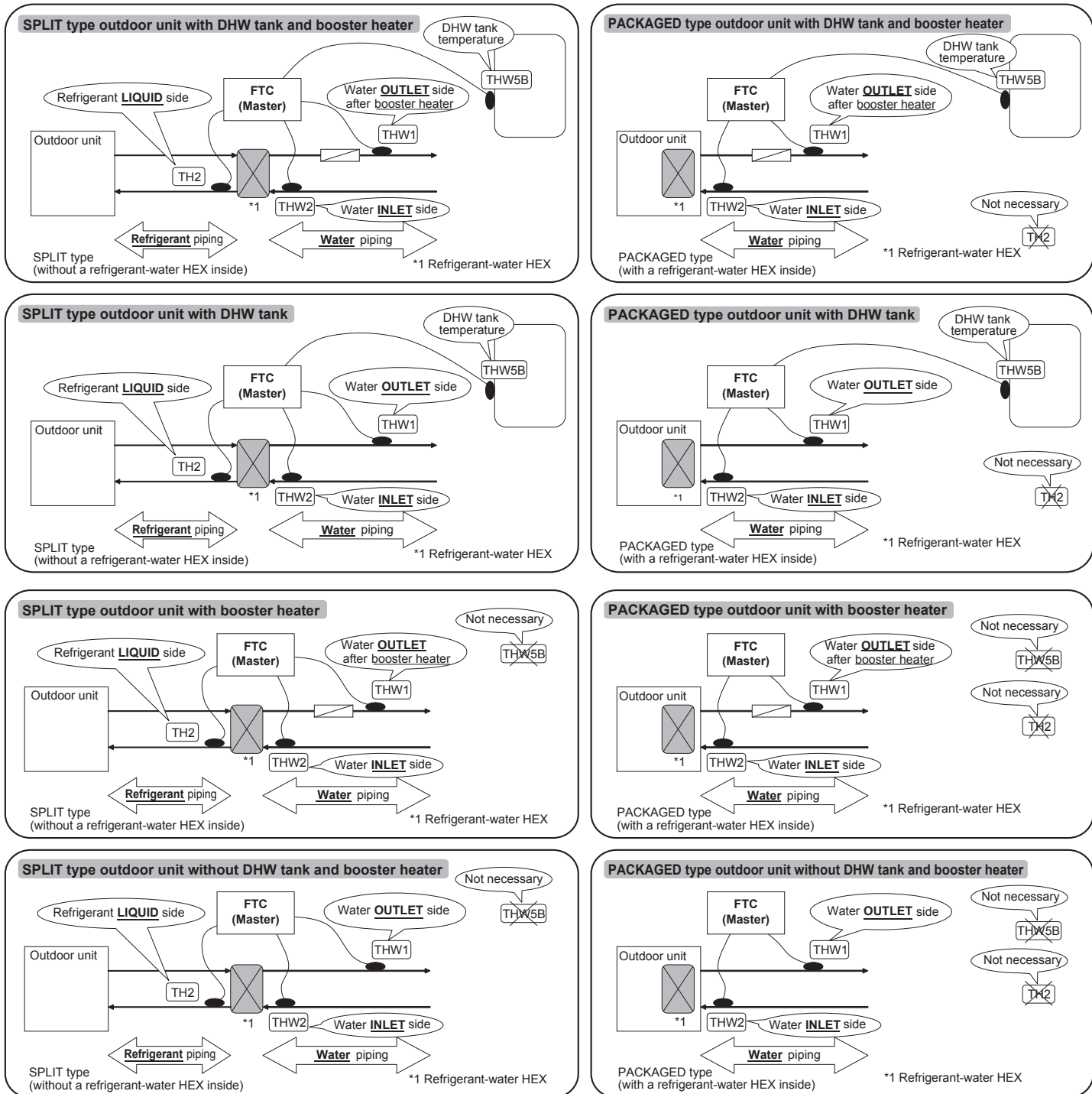
4.4.5. Thermistor position and necessity

<Thermistor position and necessity>

Outdoor unit type	DHW tank	TH2	THW1	THW2	THW5B
Split	Present	✓	✓	✓	✓
	Absent	✓	✓	✓	—
Packaged	Present	—	✓	✓	✓
	Absent	—	✓	✓	—

✓ : Necessary. Connect the thermistor.

— : Not necessary. The thermistor is not required, do not connect.



<Fig. 4.4.2>

4. Electrical work

4.5 Connecting inputs/outputs

For multiple outdoor units control with FTC (Slave), see section 9.

■ Signal inputs

Name	Terminal block	Connector	Item	OFF (Open)	ON (Short)
IN1	TBI.1 7-8	—	Room thermostat 1 input *1	Refer to SW2-1 in <5.1 DIP Switch Functions>.	
IN2	TBI.1 5-6	—	Flow switch 1 input	Refer to SW2-2 in <5.1 DIP Switch Functions>.	
IN3	TBI.1 3-4	—	Flow switch 2 input (Zone1)	Refer to SW3-2 in <5.1 DIP Switch Functions>.	
IN4	TBI.1 1-2	—	Demand control input	Normal	Heat source OFF/ Boiler operation *3
IN5	TBI.2 7-8	—	Outdoor thermostat input *2	Standard operation	Heater operation/ Boiler operation *3
IN6	TBI.2 5-6	—	Room thermostat 2 input *1	Refer to SW3-1 in <5.1 DIP Switch Functions>.	
IN7	TBI.2 3-4	—	Flow switch 3 input (Zone2)	Refer to SW3-2 in <5.1 DIP Switch Functions>.	
IN8	TBI.3 7-8	—	Electric energy meter 1	*4	
IN9	TBI.3 5-6	—	Electric energy meter 2		
IN10	TBI.2 1-2	—	Heat meter		
IN11	TBI.3 3-4	—	Smart grid ready input	*5	
INA1	TBI.4 1-3	CN1A	Flow sensor input	*6	

*1. Set the ON/OFF cycle time of the room thermostat for 10 minutes or more; otherwise the compressor may be damaged.

*2. If using outdoor thermostat for controlling operation of heaters, the lifetime of the heaters and related parts may be reduced.

*3. To turn on the boiler operation, use the main remote controller to select "Boiler" in "External input setting" screen in the service menu.

*4. Connectable electric energy meter and heat meter

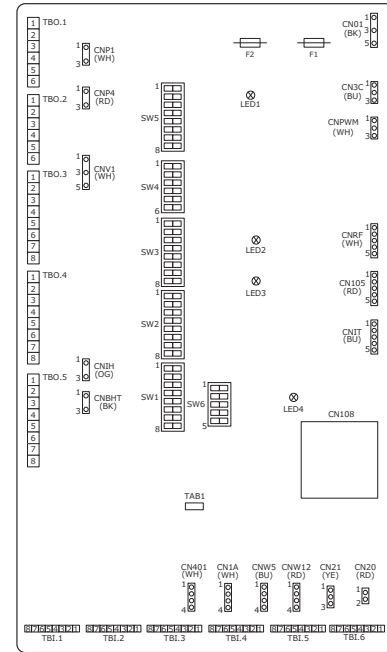
- Pulse type Voltage free contact for 12VDC detection by FTC (TBI.2 1 pin, TBI.3 5 and 7 pins have a positive voltage.)
- Pulse duration Minimum ON time: 40ms
Minimum OFF time: 100ms
- Possible unit of pulse 0.1 pulse/kWh 1 pulse/kWh 10 pulse/kWh
100 pulse/kWh 1000 pulse/kWh

Those values can be set by the main remote controller. (Refer to the menu tree in "7.2 Main remote controller".)

*5. As for the smart grid ready, refer to "4.9 Smart grid ready".

*6. Connectable flow sensor

- Power supply 5 V DC
- Measuring range 5 to 100 L/min
Those values can be set by the main remote controller. (Refer to <Auxiliary setting> on this page.)
- Flow signal 0.5 V (at minimum flow rate) to 3.5 V (at maximum flow rate)



<Fig. 4.5.1>

Wiring specification and local supply parts

Item	Name	Model and specifications
Signal input function	Signal input wire	Use sheathed vinyl coated cord or cable. Max. 30 m Wire type: CV, CVS or equivalent Wire size: Stranded wire 0.13 mm ² to 0.52 mm ² Solid wire: ø0.4 mm to ø0.8 mm
	Switch	Non-voltage "a" contact signals Remote switch: minimum applicable load 12 V DC, 1 mA

Note:

Stranded wire should be processed with insulation-covered bar terminal (DIN46228-4 standard compatible type).

<Auxiliary settings>

This function is used to set the parameters for any auxiliary parts used in the system

Menu subtitle	Function/ Description
Economy settings for pump	Water pump stops automatically in certain period of time from when operation is finished.
Delay	Time before pump switched off*1
Electric heater (Heating)	To select "WITH booster heater (ON)" or "WITHOUT booster heater (OFF)" in Heating mode.
Delay	The minimum time required for the booster heater to turn ON from after Heating mode has started.
Electric heater (DHW)	To select "WITH (ON)" or "WITHOUT (OFF)" booster heater or immersion heater individually in DHW mode.
Delay	The minimum time required for the booster heater or immersion heater to turn ON from after DHW mode has started. (This setting is applied for both booster and immersion heater.)
Mixing valve control *2	Running Period from valve fully open (at a hot water mixing ratio of 100%) to valve fully closed (at a cold water mixing ratio of 100%) Interval Interval (min) to control the Mixing valve.
Flow sensor *3	Minimum The minimum flow rate to be detected at Flow sensor.
	Maximum The maximum flow rate to be detected at Flow sensor.

*1. Decreasing "time before pump switched off" may increase the duration of stand-by in Heating/Cooling mode.

*2. Set the Running time according to the specifications of the actuator of each mixing valve. It is recommended to set the interval to 2 minutes that is a default value. With the interval set longer, it could take longer to warm up a room.

*3. Do not change the setting since it is set according to the specification of Flow sensor attached to the indoor unit.

4. Electrical work

■ Thermistor inputs

Name	Terminal block	Connector	Item	Optional part model
TH1	—	CN20	Thermistor (Room temp.) (Option) *1	PAC-SE41TS-E
TH2	—	CN21	Thermistor (Ref. liquid temp.) *2	—
THW1	—	CNW12 1-2	Thermistor (Flow water temp.)	—
THW2	—	CNW12 3-4	Thermistor (Return water temp.)	—
THW5A	—	CNW5 1-2	Thermistor (DHW tank upper water temp.)	—
THW5B	—	CNW5 3-4	Thermistor (DHW tank water temp.)	—
THW6	TBI.5 7-8	—	Thermistor (Zone1 flow water temp.) (Option) *1	PAC-TH011-E
THW7	TBI.5 5-6	—	Thermistor (Zone1 return water temp.) (Option) *1	
THW8	TBI.5 3-4	—	Thermistor (Zone2 flow water temp.) (Option) *1	PAC-TH011-E
THW9	TBI.5 1-2	—	Thermistor (Zone2 return water temp.) (Option) *1	
THWB1	TBI.6 7-8	—	Thermistor (Boiler flow water temp.) (Option) *1	PAC-TH012HT(L)-E
THW10	TBI.6 5-6	—	Thermistor (Mixing tank water temp.) (Option) *1	

Ensure to wire thermistor wirings away from the power line and/or OUT1 to 16 wirings.

*1. The maximum length of the thermistor wiring is 30 m.

The length of the optional thermistors are 5 m. If you need to splice and extend the wirings, following points must be carried out.

1) Connect the wirings by soldering.

2) Insulate each connecting point against dust and water. Stranded wire should be processed with insulation-covered bar terminal (DIN46228-4 standard compatible type).

*2. Except PAC-IF072/073B-E.

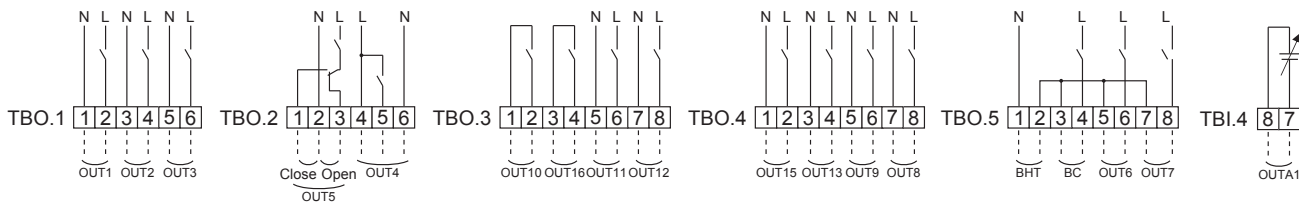
■ Outputs

Name	Terminal block	Connector	Item	OFF	ON	Signal/Max. current	Max. total current
OUT1	TBO.1 1-2	CNP1	Water circulation pump 1 output (Space heating/cooling & DHW)	OFF	ON	230 V AC 1.0 A Max. (Inrush current 40A Max.)	4.0A (a)
OUT2	TBO.1 3-4	—	Water circulation pump 2 output (Space heating/cooling for Zone1)	OFF	ON	230 V AC 1.0 A Max. (Inrush current 40A Max.)	
OUT3	TBO.1 5-6	—	Water circulation pump 3 output (Space heating/cooling for Zone2) *1 2-way valve 2b output *2	OFF	ON	230 V AC 1.0 A Max. (Inrush current 40A Max.)	
OUT4	TBO.2 4-6	CNV1	3-way valve (2-way valve 1) output	Heating	DHW	230 V AC 0.1 A Max.	3.0 A (b)
OUT5	TBO.2 1-2 TBO.2 2-3	—	Mixing valve output *1	Stop	Close Open	230 V AC 0.1 A Max.	
OUT6	TBO.5 5-6	—	Booster heater 1 output	OFF	ON	230 V AC 0.5 A Max. (Relay)	
OUT7	TBO.5 7-8	—	Booster heater 2 output	OFF	ON	230 V AC 0.5 A Max. (Relay)	3.0 A (b)
OUT8	TBO.4 7-8	—	Cooling signal output	OFF	ON	230 V AC 0.5 A Max.	
OUT9	TBO.4 5-6	CNIH	Immersion heater output	OFF	ON	230 V AC 0.5 A Max. (Relay)	3.0 A (b)
OUT10	TBO.3 1-2	—	Boiler output	OFF	ON	non-voltage contact ·220 - 240 V AC (30 V DC) 0.5 A or less ·10 mA 5 V DC or more	
OUT11	TBO.3 5-6	—	Error output	Normal	Error	230 V AC 0.5 A Max.	3.0 A (b)
OUT12	TBO.3 7-8	—	Defrost output	Normal	Defrost	230 V AC 0.5 A Max.	
OUT13	TBO.4 3-4	—	2-way valve 2a output *2	OFF	ON	230 V AC 0.1 A Max.	
OUT14	—	CNP4	Water circulation pump 4 output (DHW)	OFF	ON	230 V AC 1.0 A Max.	4.0 A (a)
OUT15	TBO.4 1-2	—	Comp ON signal	OFF	ON	230 V AC 0.5 A Max.	3.0 A (b)
OUT16	TBO.3 3-4	—	Heating/Cooling thermo ON signal	OFF	ON	non-voltage contact ·220 - 240 V AC (30V DC) 0.5 A or less ·10 mA 5 V DC or more	—
OUTA1	TBI.4 7-8	—	Analog output	—	—	0 - 10 V DC 5 mA max.	—
BC	TBO.5 3-4	—	Booster heater protection output	OFF (BHT open)	ON (BHT short)	230 V AC 0.5 A Max.	—
BHT	TBO.5 1-2	CNBHT	Thermostat for booster heater	Thermostat Normal: short	High temp. : open	—	—

Do not connect to the terminals that are indicated as “—” in the “Terminal block” field.

*1 For 2-zone temperature control.

*2 For 2-zone valve ON/OFF control.



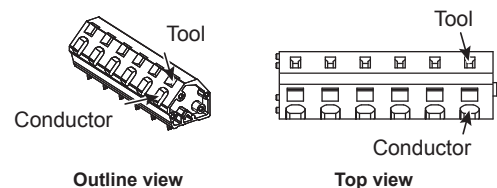
Wiring specification and local supply parts

Item	Name	Model and specifications
External output function	Outputs wire	Use sheathed vinyl coated cord or cable. Max. 30 m Wire type: CV, CVS or equivalent Wire size: Stranded wire 0.25 mm ² to 1.5 mm ² Solid wire: 0.25 mm ² to 1.5 mm ²

Note:

- When the FTC is powered via outdoor unit, the maximum grand total current of (a)+(b) is 3.0 A.
- Do not connect multiple water circulation pumps directly to each output (OUT1, OUT2, and OUT3). In such a case, connect them via (a) relay(s).
- Connect an appropriate surge absorber to OUT10 (TBO.3 1-2) depending on the load at site.
- Stranded wire should be processed with insulation-covered bar terminal (DIN46228-4 standard compatible type).

How to use TBO.1 to 5



Outline view

Top view

Connect them using either way as shown above.
<Fig. 4.5.2>

en

4. Electrical work

4.6 Wiring for heater

<Care to be taken when connecting a booster heater(s)>

The initial setting assumes that the connected booster heater(s) has a built-in direct cut-off thermostat. <Fig. 4.6.1>

When the connected booster heater(s) has a built-in indirect cut-off thermostat, perform wiring according to the following items. < Fig. 4.6.2>

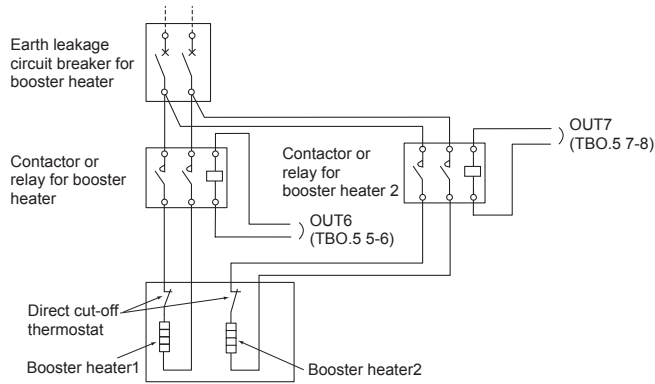
- Connect the thermostat signal to BHT (TBO.5 1-2).
- Remove the jumper wire from connector CNBHT.
- Connect a contactor (or relay) for protecting the booster heater.
(Connect the electromagnetic coil terminals to BC (TBO.5 3-4).

* Do not remove the jumper wire from connector CNBHT when the connected booster heater(s) has a built-in direct cut-off thermostat. < Fig. 4.6.1>

<Care to be taken when connecting an immersion heater>

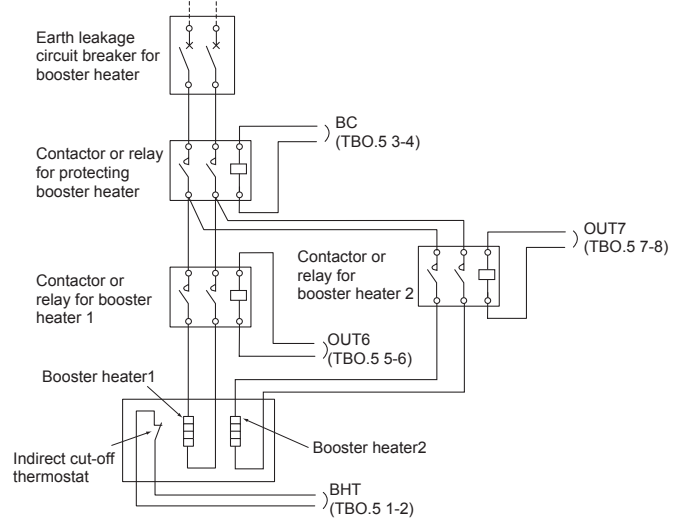
The initial setting assumes that the connected immersion heater has a built-in direct cut-off thermostat. <Fig. 4.6.3>

<Wiring for booster heater with a built-in direct cut-off thermostat>



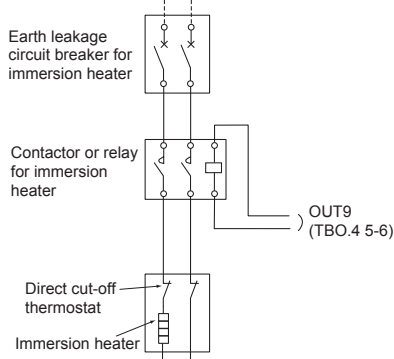
<Fig. 4.6.1>

<Wiring for booster heater with a built-in indirect cut-off thermostat>

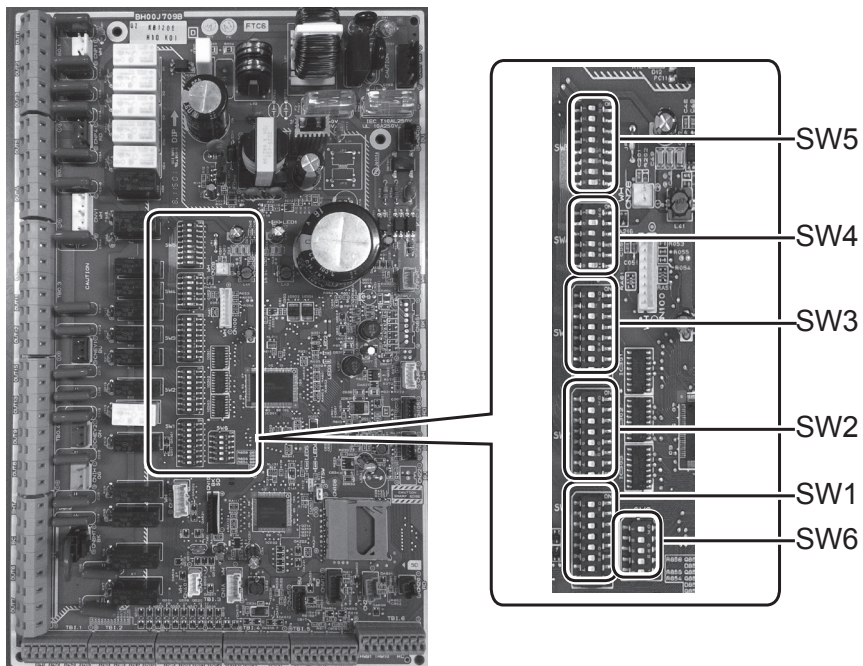


<Fig. 4.6.2>

<Wiring for immersion heater with a built-in direct cut-off thermostat>



<Fig. 4.6.3>



4. Electrical work

4.7 Wiring for 2-zone temperature control

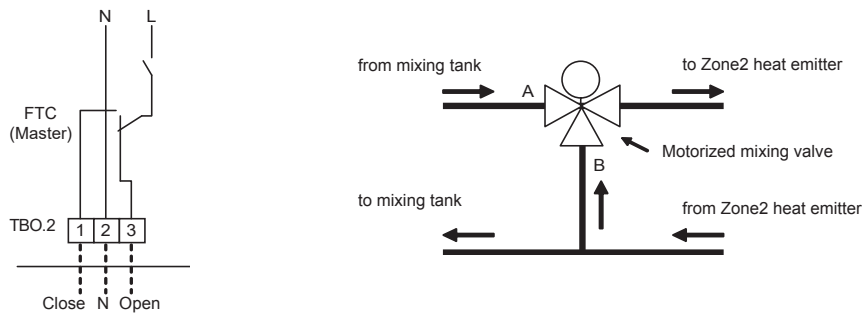
Connect the pipe work and locally supplied parts according to the relevant circuit diagram shown "Local system" in Section 3, of this manual.

<Mixing valve>

Connect the signal line to open Port A (hot water inlet port) to TBO.2-3 (Open), the signal line to open Port B (cold water inlet port) to TBO.2-1 (Close), and the neutral terminal wire to TBO. 2-2 (N).

<Thermistor>

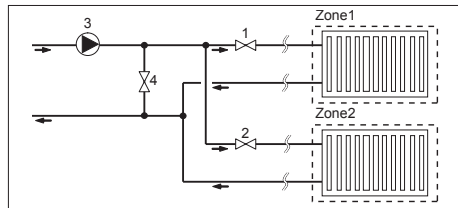
- Do not install the thermistors on the mixing tank.
- Install the Zone2 flow temp. thermistor (THW8) near the mixing valve.
- The maximum length of the thermistor wiring is 30 m.
- The length of the optional thermistors are 5 m. If you need to splice and extend the wirings, following points must be carried out.
 - 1) Connect the wirings by soldering.
 - 2) Insulate each connecting point against dust and water.



4.8 2-zone valve ON/OFF control

Opening /closing 2-way valve provides a simple 2-Zone control. Flow temperature is common for Zone1 and 2.

1. Pipe work



1. Zone1 2-way valve 2a (local supply)
2. Zone2 2-way valve 2b (local supply)
3. Water circulation pump 2 (local supply) *1
4. By-pass valve (local supply) *2

*1 Install according to system in the field.

*2 For safety protection, it is recommended to install a by-pass valve.

Note: Freeze stat function is deactivated whilst this control is ON. Use anti-freeze solution to avoid freezing, if necessary.

2. DIP switch

Turn DIP switch 3-6 ON.

3. 2-way valve 2a (for Zone1) / 2-way valve 2b (for Zone2)

Electrically wire 2-way valve 2a and 2b to the appropriate external output terminals. (Refer to "External outputs" in 4.5)

4. Room thermostat connection

Heating operation mode	Zone1	Zone2
Room temp. control (Auto adaptation) *3	<ul style="list-style-type: none"> • Wireless remote controller (option) • Room temperature thermistor (option) • Main remote controller (remote position) 	<ul style="list-style-type: none"> • Wireless remote controller (option)
Compensation curve or flow temp. control	<ul style="list-style-type: none"> • Wireless remote controller (option) *4 • Room temperature thermostat (local supply) 	<ul style="list-style-type: none"> • Wireless remote controller (option) *4 • Room temperature thermostat (local supply)

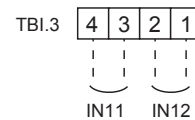
*3 Ensure to install the room thermostat for Zone1 in main room since the Room temp. control for Zone1 is prioritized.

*4 The wireless remote controller can be used as a thermostat.

4.9 Smart grid ready

In DHW or heating operation, the commands in the table below can be used.

IN11	IN12	Meaning
OFF (open)	OFF (open)	Normal operation
ON (short)	OFF (open)	Switch-on recommendation
OFF (open)	ON (short)	Switch-off command
ON (short)	ON (short)	Switch-on command



4. Electrical work

4.10 Installation procedure for DHW tank

Note:

- Be aware that the respective DHW operations are greatly effected by the selections of the components such as tank, immersion heater, or the like.
- Follow your local regulations to perform system configuration.

1. To enable switching of the water circulation circuit between the DHW mode and the heating mode, install a 3-way valve (local supply). The 3-way valve and the DHW tank should be positioned as shown in the system diagram in section 3. The use of two 2-way valves can perform the same function as a 3-way valve.
2. Install the optional thermistor THW5 (optional part PAC-TH011TK2-E(5 m) or PAC-TH011TKL2-E(30 m)) on the DHW tank. Note that PAC-IF073B-E comes with THW5B. It is recommended to position the thermistor at the mid point of the DHW tank capacity. Insulate thermistor from ambient air. Especially for double (insulated) tank, thermistor should be attached to the inner side (to detect the water temperature).
3. Connect the thermistor lead to the CNW5 connector on the FTC (Master).
4. The output terminals for the 3-way valve is TBO.2 4-6 (OUT4). The TBO.2 4-6 terminals on the FTC (Master) are shown in the wiring diagram on the page 21. Choose the terminals that the 3-way valve is connected to between TBO.2 5-6, or TBO.2 4-6, according to the rated voltage. When the rated current of the 3-way valve exceeds 0.1A, be sure to use a relay with maximum voltage and current ratings of 230V AC / 0.1A when connecting to the FTC (Master). Do not directly connect the 3-way valve cable to the FTC (Master). Connect the relay cable to the TBO.2 5-6 terminals. 3-way valve must be of SPST type. SPDT type can NOT be used. For systems using 2-way valves instead of a 3-way valve please read the following;

Specification of 2-way valve (local supply)

- Power supply: 230V AC
- Current: 0.1A Max. (If over 0.1A you must use a relay)
- Type: Normally closed

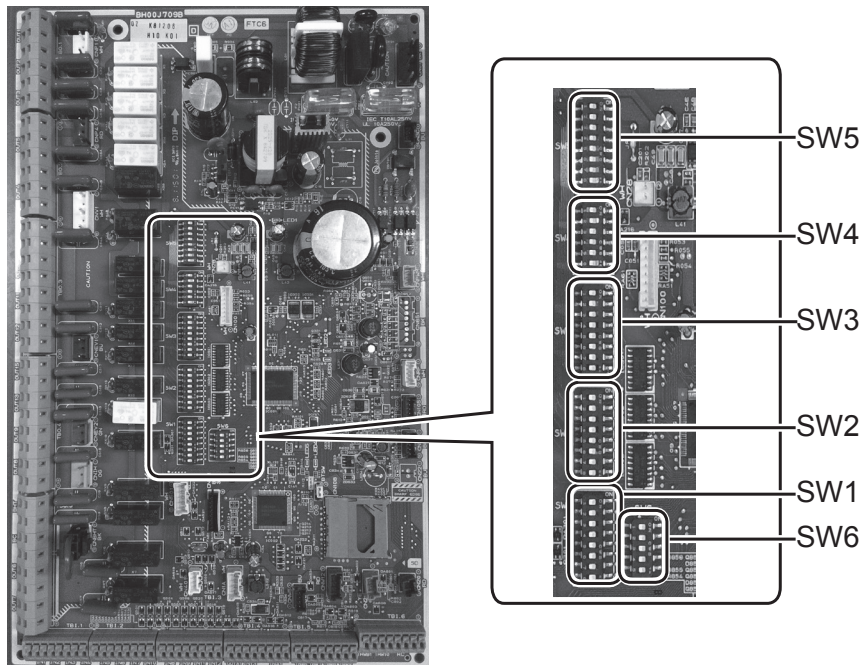
	Installation position	Electrical connection terminal block	Output signal		
			Heating	DHW	System OFF
2-way valve1	DHW	TBO.2 5-6	OFF (closed)	ON (open)	OFF (closed)
2-way valve2	Heating	TBO.4 3-4	ON (open)	OFF (closed)	OFF (closed)

- Note: Should the 2-way valve become blocked the water circulation will stop. A by-pass valve or circuit should be installed between pump and 2-way valve for safety. The TBO.4 3-4 terminals on the FTC (Master) are shown in the wiring diagram. The 2-way valve (local supply) should be installed according to the instructions supplied with it. Follow 2-way valve's manufacturer's instructions as to whether to connect an earth cable or not.
- For the 2-way valve, choose the one that slowly opens and shuts off to prevent water hammer sound.
 - Choose the 2-way valve equipped with manual override, which is necessary for topping up or draining of water.

5. Turn the DIP SW1-3 on the FTC (Master) to ON.
6. When using an immersion heater (local supply), connect a contact relay cable for the immersion heater to TBO.4 5-6 (OUT9), and turn the Dip SW1-4 to ON. Do NOT directly connect the power cable to the FTC (Master).

Note:

- When an immersion heater is installed, select appropriate breaker capacity and a cable with appropriate diameter on the basis of heater output.
- When wiring an immersion heater in the field, always install an earth leakage breaker to prevent accidental electric shock.



en

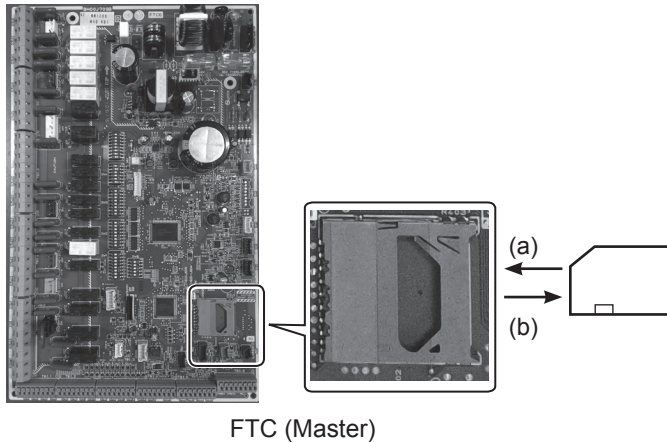
⚠ WARNING: When connecting DHW tank

- (1) Attach the optional thermistor THW5 (PAC-TH011TK2-E (5 m) or PAC-TH011TKL2-E (30 m)). Note that PAC-IF073B-E comes with THW5B.
- (2) Always use earth leakage breaker when connecting immersion heater.
- (3) When installing an immersion heater, be sure that the immersion heater has a built-in direct cut-off thermostat.
- (4) Connect a pressure relief valve on the sanitary water side.

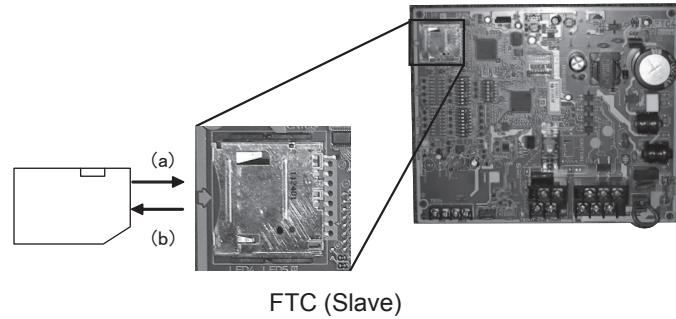
4. Electrical work

4.11 Using SD memory card

FTC is equipped with an SD memory card interface. Using an SD memory card can simplify main remote controller settings and can store operating logs. *1



(a) For insertion, push on the SD memory card until it clicks into place.
 (b) For ejection, push on the SD memory card until it clicks.
Note: To avoid cutting fingers, do not touch sharp edges of the SD memory card connector (CN108) on the FTC control board.



<Handling precautions>

- (1) Use an SD memory card that complies with the SD standards. Check that the SD memory card has a logo on it of those shown to the right.
- (2) SD memory cards to the SD standards include SD, SDHC, mini SD, micro SD, and micro SDHC memory cards. The capacities are available up to 32 GB. Choose that with a maximum allowable temperature of 55°C.
- (3) When the SD memory card is a mini SD, mini SDHC, micro SD, or micro SDHC memory card, use an SD memory card converter adapter.
- (4) Before writing to the SD memory card, release the write-protect switch.









- (5) Before inserting or ejecting an SD memory card, make sure to power off the system. If an SD memory card is inserted or ejected with the system powered on, the stored data could be corrupted or the SD memory card be damaged. *An SD memory card is live for a whilst after the system is powered off. Before insertion or ejection wait until the LED lamps on the FTC control board are all off.
- (6) The read and write operations have been verified using the following SD memory cards, however, these operations are not always guaranteed as the specifications of these SD memory cards could change.

Manufacturer	Model	Tested in
Verbatim	#44015	Mar. 2012
SanDisk	SDSDB-002G-B35	Oct. 2011
Panasonic	RP-SDP04GE1K	Oct. 2011
Arvato	2GB PS8032 TSB 24nm MLC	Jun. 2012
Arvato	2GB PS8035 TSB A19nm MLC	Jul. 2014
SanDisk	SDSDUN-008G-G46	Oct. 2016
Verbatim	#43961	Oct. 2016
Verbatim	#44018	Oct. 2016
VANTASTEK	VSDHC08	Sep. 2017

Before using a new SD memory card (including the card that comes with the unit), always check that the SD memory card can be safely read and written to by the FTC controller.

<How to check read and write operations>

- a) Check for correct wiring of power supply to the system. For more details, refer to section 4.1.
(Do not power on the system at this point.)
 - b) Insert an SD memory card.
 - c) Power on the system.
 - d) The LED4 lamp lights if the read and write operations are successfully completed. If the LED4 lamp continues blinking or does not light, the SD memory card cannot be read or written to by the FTC controller.
- (7) Make sure to follow the instruction and the requirement of the SD memory card's manufacturer.
 - (8) Format the SD memory card if determined unreadable in step (6). This could make it readable.
Download an SD card formatter from the following site.
SD Association homepage: <https://www.sdcard.org/home/>
 - (9) FTC supports FAT file system but not NTFS file system.
 - (10) Mitsubishi Electric is not liable for any damages, in whole or in part, including failure of writing to an SD memory card, and corruption and loss of the saved data, or the like. Back up saved data as necessary.
 - (11) Do not touch any electronic parts on the FTC control board when inserting or ejecting an SD memory card, or else the control board could fail.

Logos
  
  
Capacities
2 GB to 32 GB *2
SD speed classes
All

- * The SD Logo is a trademark of SD-3C, LLC.
The mini SD logo is a trademark of SD-3C, LLC.
The micro SD logo is a trademark of SD-3C, LLC.

*1 To edit main remote controller settings or to check operating data, an Ecodan service tool (for use with PC) is required.

*2 A 2-GB SD memory card stores up to 30 days of operation logs.

5. Dip Switch setting

5.1 DIP Switch Functions

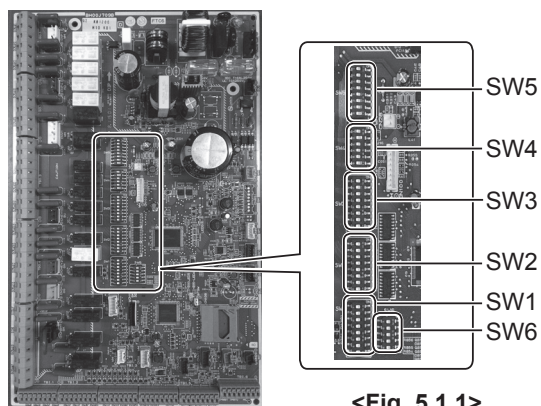
Located on the FTC printed circuit board are 5 sets of small white switches known as DIP switches. The DIP switch number is printed on the circuit board next to the relevant switches. The word ON is printed on the circuit board and on the DIP switch block itself. To move the switch you will need to use a pin or the corner of a thin metal ruler or similar.

DIP switch settings are listed below in Table 5.1.1.

Only an authorised installer can change DIP switch setting under one's own responsibility according to the installation condition.

Make sure to turn off both indoor unit and outdoor unit power supplies before changing the switch settings.

For multiple outdoor units control with FTC (slave), see section 9.3.2.



<Fig. 5.1.1>

DIP switch	Function	OFF	ON	Default settings: Indoor unit model
SW1	SW1-1 Boiler	WITHOUT Boiler	WITH Boiler	OFF
	SW1-2 Heat pump maximum outlet water temperature	55°C	60°C	ON *1
	SW1-3 DHW tank	WITHOUT DHW tank	WITH DHW tank	OFF: PAC-IF071B-E ON : PAC-IF072/073B-E
	SW1-4 Immersion heater	WITHOUT Immersion heater	WITH Immersion heater	OFF: PAC-IF071B-E ON : PAC-IF072/073B-E
	SW1-5 Booster heater	WITHOUT Booster heater	WITH Booster heater	OFF
	SW1-6 Booster heater function	For heating only	For heating and DHW	OFF
	SW1-7 Outdoor unit type	Split type	Packaged type	OFF: PAC-IF071B-E ON : PAC-IF072/073B-E
	SW1-8 Wireless remote controller	WITHOUT Wireless remote controller	WITH Wireless remote controller	OFF
SW2	SW2-1 Room thermostat1 input (IN1) logic change	Zone1 operation stop at thermostat short	Zone1 operation stop at thermostat open	OFF
	SW2-2 Flow switch1 input (IN2) logic change	Failure detection at short	Failure detection at open	OFF
	SW2-3 Booster heater capacity restriction	Inactive	Active	OFF
	SW2-4 Cooling mode function	Inactive	Active	OFF
	SW2-5 Automatic switch to backup heat source operation (When outdoor unit stops by error)	Inactive	Active *2	OFF
	SW2-6 Mixing tank	WITHOUT Mixing tank	WITH Mixing tank	OFF
	SW2-7 2-zone temperature control	Inactive	Active *6	OFF
	SW2-8 Flow sensor	WITHOUT Flow sensor	WITH Flow sensor	OFF
SW3	SW3-1 Room thermostat 2 input (IN6) logic change	Zone2 operation stop at thermostat short	Zone2 operation stop at thermostat open	OFF
	SW3-2 Flow switch 2 and 3 input logic change	Failure detection at short	Failure detection at open	OFF
	SW3-3	—	—	OFF
	SW3-4 Electric energy meter	WITHOUT Electric energy meter	WITH Electric energy meter	OFF
	SW3-5 Heating mode function *3	Inactive	Active	ON
	SW3-6 2-zone valve ON/OFF control	Inactive	Active	OFF
	SW3-7 Heat exchanger for DHW	Coil in tank	External plate HEX	OFF
	SW3-8 Heat meter	WITHOUT Heat meter	WITH Heat meter	OFF
SW4	SW4-1 Multiple outdoor unit control	Inactive	Active	OFF
	SW4-2 Position of multiple outdoor unit control *7	Slave	Master	OFF
	SW4-3	—	—	OFF
	SW4-4 Indoor unit only operation (during installation work) *4	Inactive	Active	OFF
	SW4-5 Emergency mode (Heater only operation)	Normal	Emergency mode (Heater only operation)	OFF *5
	SW4-6 Emergency mode (Boiler operation)	Normal	Emergency mode (Boiler operation)	OFF *5
SW5	SW5-1	—	—	OFF
	SW5-2 Advanced auto adaptation	Inactive	Active	ON
	SW5-3	—	—	OFF
	SW5-4	—	—	OFF
	SW5-5	—	—	OFF
	SW5-6	—	—	OFF
	SW5-7	—	—	OFF
	SW5-8	—	—	OFF
SW6	SW6-1	—	—	OFF: PAC-IF071/072B-E ON: PAC-IF073B-E
	SW6-2	—	—	OFF
	SW6-3 Pressure sensor	Inactive	Active	OFF
	SW6-4 Analog output signal (0-10V)	Inactive	Active	OFF
	SW6-5	—	—	OFF

<Table 5.1.1>

- Note:
- *1. When the FTC unit is connected with a outdoor unit of which maximum outlet water temperature is 55°C, DIP SW1-2 must be changed to OFF.
 - *2. External output (OUT11) will be available. For safety reasons, this function is not available for certain errors. (In that case, system operation must be stopped and only the water circulation pump keeps running.)
 - *3. This switch functions only when the cylinder unit is connected with a PUAZ-FRP outdoor unit. When another type of outdoor unit is connected, the heating mode function is active regardless of the fact that this switch is ON or OFF.
 - *4. Space heating and DHW can be operated only in indoor unit, like an electric heater. (Refer to "5.7 Indoor unit only operation".)
 - *5. If emergency mode is no longer required, return the switch to OFF position.
 - *6. Active only when SW3-6 is set to OFF.
 - *7. SW4-2 is available only when SW4-1 is ON.

5. Dip Switch setting

5.2 Outdoor unit type

Set Dip SW 1-7 to set the outdoor unit type.

Dip SW 1-7	Setting	Note
OFF	Split type	Necessary to connect TH2
ON	Packaged type	Not necessary to connect TH2

Set Dip SW 1-2 to set the heat pump maximum outlet water temperature.

Dip SW 1-2	Setting
OFF	55°C
ON	60°C

Note: When Dip SW 1-2 is OFF (55°C) and an electric heater is not installed (*), 'Legionella Prevention Mode' is NOT available.

* Dip SW settings set when no electric heater is installed.

Dip SW 1-2	Dip SW 1-4	Dip SW 1-5	Dip SW 1-6
OFF	OFF	ON	OFF
OFF	OFF	OFF	(ON/OFF)

5.3 Functions setting

Set Dip SW 1-1 to set whether the system has a boiler.

Dip SW 1-1	Setting
OFF	WITHOUT boiler
ON	WITH boiler

When Dip SW 1-1 is OFF, back-up operation of boiler is not available.

Set Dip SW 1-3 to set whether the system has a DHW tank.

Dip SW 1-3	Setting	Note
OFF	WITHOUT DHW tank	Not necessary to connect THW5
ON	WITH DHW tank	Necessary to connect THW5

When Dip SW 1-3 is OFF, DHW mode is not available.

Set Dip SW 1-4 to set whether the system has an immersion heater.

Dip SW 1-4	Setting
OFF	WITHOUT immersion heater
ON	WITH immersion heater

Set Dip SW 1-5 to set whether the system has a booster heater.

Dip SW 1-5	Setting
OFF	WITHOUT booster heater
ON	WITH booster heater

Set Dip SW 1-6 to set the booster heater function.

Dip SW 1-6	Setting
OFF	For heating only
ON	For heating and DHW

Set Dip SW 2-6 to set whether the system has a mixing tank.

Dip SW 2-6	Setting
OFF	WITHOUT mixing tank
ON	WITH mixing tank

When Dip SW 2-6 is OFF, back-up operation of boiler is not available.

When Dip SW 2-6 is OFF, 2-zone temperature control is not available.

Set Dip SW 2-7 to set activate or deactivate 2-zone temperature control.

Dip SW 2-7	Setting
OFF	Inactive
ON	Active

Set Dip SW 2-8 to set whether the system has a flow sensor.

Dip SW 2-8	Setting
OFF	WITHOUT flow sensor
ON	WITH flow sensor

Set Dip SW 3-4 to set whether the system has an electric energy meter.

Dip SW 3-4	Setting
OFF	WITHOUT electric energy meter
ON	WITH electric energy meter

Set Dip SW 3-6 to set activate or deactivate 2-zone valve ON/OFF control.

Dip SW 3-6	Setting
OFF	Inactive
ON	Active

Set Dip SW 3-7 to set type of the heat exchanger for DHW.

Dip SW 3-7	Setting
OFF	Coil in tank
ON	External plate HEX

Set Dip SW 3-8 to set whether the system has a heat meter.

Dip SW 3-8	Setting
OFF	WITHOUT heat meter
ON	WITH heat meter

Set Dip SW 4-1 to set activate or deactivate multiple units control.

Dip SW 4-1	Setting
OFF	Inactive
ON	Active

When Dip SW 4-1 is OFF, 2-zone temperature control and 2-zone valve ON/OFF control is not available.

Set Dip SW 4-2 to set master or slave of multiple units control.

Dip SW 4-2	Setting
OFF	Slave
ON	Master

When multiple units control is not available, setting of Dip SW 4-2 is not necessary.

Set Dip SW 5-2 to set activate or deactivate advanced auto adaptation.

Dip SW 5-2	Setting
OFF	Inactive
ON	Active

5. Dip Switch setting

<Summary of Function setting>

Dip SW 1-3 (DHW tank)	Dip SW 1-4 (Immersion heater)	Dip SW 1-5 (Booster heater)	Dip SW 1-6 (BH function)	System diagram
ON (WITH DHW tank)	OFF (WITHOUT immersion heater)	ON (WITH booster heater)	ON (For heating and DHW)	
ON (WITH DHW tank)	ON (WITH immersion heater)	ON (WITH booster heater)	ON (For heating and DHW)	
ON (WITH DHW tank)	OFF (WITHOUT immersion heater)	ON (WITH booster heater)	OFF (For heating only)	
ON (WITH DHW tank)	OFF (WITHOUT immersion heater)	OFF (WITHOUT booster heater)	—	
ON (WITH DHW tank)	ON (WITH immersion heater)	ON (WITH booster heater)	OFF (For heating only)	
ON (WITH DHW tank)	ON (WITH immersion heater)	OFF (WITHOUT booster heater)	—	
OFF (WITHOUT DHW tank)	OFF (WITHOUT immersion heater)	ON (WITH booster heater)	OFF	
OFF (WITHOUT DHW tank)	OFF (WITHOUT immersion heater)	OFF (WITHOUT booster heater)	—	

* The use of two 2-way valves can perform same function as a 3-way valve.

5. Dip Switch setting

5.4 Operation setting

Set Dip SW 1-8 to set whether the system has a wireless remote controller.

Dip SW 1-8	Setting
OFF	WITHOUT wireless remote controller
ON	WITH wireless remote controller

Set Dip SW 2-1 to set the room thermostat 1 input (IN1) logic.

Dip SW 2-1	Setting
OFF	Operation stop at thermostat short
ON	Operation stop at thermostat open

Set Dip SW 2-2 to set the flow switch 1 input (IN2) logic.

Dip SW 2-2	Setting
OFF	Failure detection at short
ON	Failure detection at open

Set Dip SW 2-3 to set the restriction on the capacity of booster heater.

Dip SW 2-3	Setting
OFF	Inactive
ON	Active

When Dip SW 2-3 is ON, booster heater 2 operation is not available. (Only booster heater 1 is available.)

Notes: ① When installing one booster heater, use OUT6 (Booster Heater 1) and switch SW2-3 to ON.

② When installing two booster heaters, use OUT6 (Booster Heater 1) and OUT7 (Booster heater 2). In such cases, use OUT7 (Booster heater 2) to connect the one with higher capacity.

Reference: Summary of Booster heater control

The booster heater is controlled in the following three steps.

		Booster heater 1 (OUT6)	Booster heater 2 (OUT7)
OFF		OFF	OFF
	STEP 1	ON	OFF
	STEP 2	OFF	ON
	STEP 3	ON	ON

Controlled to this extent when SW2-3 is ON.

Set Dip SW 2-4 to set activate or deactivate cooling mode.

Dip SW 2-4	Setting
OFF	Inactive
ON	Active

When Dip SW 2-4 is OFF, cooling mode is not available.

Set Dip SW 2-5 to set the automatic switch to backup heater only operation. (When outdoor unit stops by error.)

Dip SW 2-5	Setting
OFF	Inactive
ON	Active

Set Dip SW 3-1 to set the room thermostat 2 input (IN6) logic.

Dip SW 3-1	Setting
OFF	Operation stop at thermostat short
ON	Operation stop at thermostat open

Set Dip SW 3-2 to set the flow switch 2 and 3 input logic.

Dip SW 3-2	Setting
OFF	Operation stop at thermostat short
ON	Operation stop at thermostat open

Set Dip SW 3-5 to set activate or deactivate heating mode.

Dip SW 3-5	Setting
OFF	Inactive
ON	Active

When the connected outdoor unit is not of PUHZ-FRP model, heating mode is always active regardless of Dip SW3-5 setting.

Set Dip SW 4-4 to set activate or deactivate indoor unit only operation.

Dip SW 4-4	Setting
OFF	Inactive
ON	Active

5. Dip Switch setting

5.5 Emergency mode (Heater only operation)

The emergency mode is available when a failure on the outdoor unit of the heat pump or a communication error occurs.

This mode uses booster heater or immersion heater as a heat source and automatically controls between the DHW mode and the heating mode. When the system is not incorporated with heater, the emergency mode is not available.

Before starting the emergency mode, turn off the outdoor unit and FTC (Master), and then turn Dip SW 4-5 to ON. Then, turn on FTC (Master) to start the emergency mode. FTC (Master) can be power-supplied by the outdoor unit or directly by power source.

If emergency mode is no longer required, please turn off both outdoor and indoor unit power supply before returning Dip SW4-5 to OFF position.

5.6 Emergency mode (Boiler operation)

The emergency mode is available when a failure on the outdoor unit of the heat pump or a communication error occurs.

This mode uses boiler as a heat source and automatically controls the heating mode. When the system is not incorporated with boiler, the emergency mode is not available.

Before starting the emergency mode, turn off the outdoor unit and FTC (Master), and then turn Dip SW 4-6 to ON. Then, turn on FTC (Master) to start the emergency mode. FTC (Master) can be power-supplied by the outdoor unit or directly by power source.

If emergency mode is no longer required, please turn off both outdoor and indoor unit power supply before returning Dip SW4-6 to OFF position.

5.7 Indoor unit only operation (during installation work)

In the case when DHW or heating operation is required prior to connection of the outdoor unit; i.e. during installation work, an electric heater in indoor unit (*1) can be used.

*1 Model with electric heater only.

*2 Not available during Multiple outdoor unit control.

1. To start operation

- Check if the indoor unit power supply is OFF, and turn DIP switch 4-4 and 4-5 ON.
- Turn ON the indoor unit power supply.

2. To end operation*

- Turn OFF the indoor unit power supply.
- Turn DIP switch 4-4 and 4-5 OFF.

*When the indoor unit only operation is ended, ensure to check over the settings after outdoor unit is connected.

Note:

Prolonged running of the this operation may affect the life of the electric heater.

6. Before test run

6.1. Check

After completing installation and the wiring and piping of the local application and outdoor units, check for refrigerant leakage, looseness in the power supply or control wiring, wrong polarity, and power cable is securely connected.

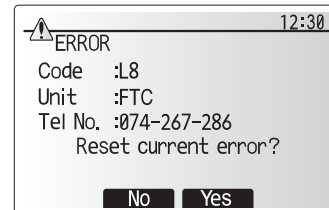
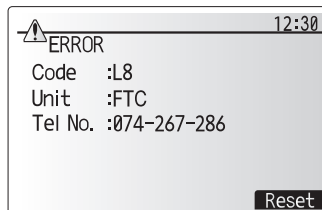
Use a 500-volt megohmmeter to check that the resistance between the power supply terminals and ground is at least 1.0MΩ.

Warning:

Do not use the system if the insulation resistance is less than 1.0MΩ.

Caution:

Do not carry out this test on the control wiring (low voltage circuit) terminals.



6.2. Self-check

When an error occurs when power is applied or during operation

■ Indication of error details

The code, unit, address, and telephone number are displayed.

The telephone number is displayed if registered.

■ Resetting the error

Press the F4 (RESET) button, and the F3 (Yes) button to reset the current error.

Code	Error	Action
L3	Circulation water temperature overheat protection	Flow rate may be reduced check for; <ul style="list-style-type: none"> • Water leakage • Strainer blockage • Water circulation pump function (Error code may display during filling of primary circuit, complete filling and reset error code.)
L4	DHW tank water temperature overheat protection	Check the immersion heater and it's contactor.
L5	Indoor unit temperature thermistor (THW1, THW2, THW5B, THW6, THW7, THW8, THW9) failure	Check resistance across the thermistor.
L6	Circulation water freeze protection	See Action for L3.
L8	Heating operation error	Re-attach any thermistors that have become dislodged.
L9	Low primary circuit flow rate detected by flow sensor or flow switch (flow switches 1, 2, 3)	See Action for L3. If the flow sensor or flow switch itself does not work, replace it. Caution: The pump valves may be hot, please take care.
LA	Pressure sensor failure	Check pressure sensor cable for damage or loose connections.
LB	High pressure protection	<ul style="list-style-type: none"> • Flow rate of the heating circuit may be reduced. Check water circuit. • Plate heat exchanger may be clogged. Check the plate heat exchanger. • Outdoor unit failure. Refer to outdoor unit service manual.
LC	Boiler circulation water temperature overheat protection	<p>Check if the setting temperature of the Boiler for heating exceeds the restriction. (See the manual of the thermistors "PAC-TH012HT-E".)</p> <p>Flow rate of the heating circuit from the boiler may be reduced. Check for</p> <ul style="list-style-type: none"> • water leakage • strainer blockage • water circulation pump function
LD	Boiler temperature thermistor (THWB1) failure	Check resistance across the thermistor.
LE	Boiler operation error	See Action for L8. Check the status of the boiler.
LF	Flow sensor failure	Check flow sensor cable for damage or loose connections.
LH	Boiler circulation water freeze protection	Flow rate of the heating circuit from the boiler may be reduced. Check for <ul style="list-style-type: none"> • water leakage • strainer blockage • water circulation pump function
LJ	DHW operation error (type of external plate HEX)	<ul style="list-style-type: none"> • Check for disconnection of DHW tank water temp. thermistor (THW5B). • Flow rate of the sanitary circuit may be reduced. • Check for water circulation pump function.
LL	Setting errors of DIP switches on FTC control board	For boiler operation, check that DIP SW1-1 is set to ON (With Boiler) and DIP SW2-6 is set to ON (With Mixing Tank). For 2-zone temperature control, check DIP SW2-7 is set to ON (2-zone) and DIP SW2-6 is set to ON (With Mixing Tank).
LP	Out of water flow rate range for outdoor heat pump unit	Check the installation Table 4.3.1 Check remote controller settings (Service menu / heat pump flow rate range) See Action for L3.
P1	Thermistor (Room temp.) (TH1) failure	Check resistance across the thermistor.
P2	Thermistor (Ref. liquid temp.) (TH2) failure	Check resistance across the thermistor.
P6	Anti-freeze protection of plate heat exchanger	See Action for L3. Check for correct amount of refrigerant.
J0	Communication failure between FTC and wireless receiver	Check connection cable for damage or loose connections.
J1 - J8	Communication failure between wireless receiver and wireless remote controller	Check wireless remote controller's battery is not flat. Check the pairing between wireless receiver to wireless remote controller. Test the wireless communication. (See the manual of wireless system.)
J9	Communication failure between FTC(Master) and FTC(Slave).	Check connection cable for damage or loose connections.
E0 - E5	Communication failure between main remote controller and FTC	Check connection cable for damage or loose connections.
E6 - EF	Communication failure between FTC and outdoor unit	Check that the outdoor unit has not been turned off. Check connection cable for damage or loose connections. Refer to outdoor unit service manual.
E9	Outdoor unit receives no signal from indoor unit.	Check both units are switched on. Check connection cable for damage or loose connections. Refer to outdoor unit service manual.
EE	Combination error between FTC and outdoor unit	Check combination of FTC and outdoor unit.
U*,F*,A*	Outdoor unit failure	Refer to outdoor unit service manual.

Note: To cancel error codes please switch system off (Press button F4(RESET) on Main remote controller).

en

7. Main remote controller operation

For description of each LED (LED1 to 3) provided on the FTC, refer to the following table.

LED 1 (Power for microcomputer)	Indicates whether control power is supplied. Make sure that this LED is always lit.
LED 2 (Power for main remote controller)	Indicates whether power is supplied to the main remote controller. This LED lights only in the case of the FTC (Master) unit which is connected to the outdoor unit refrigerant address "0".
LED 3 (Communication between FTC and outdoor unit)	Indicates state of communication between the FTC and outdoor unit. Make sure that this LED is always blinking.

Note

(Marking for WEEE)



This symbol mark is for EU countries only.

This symbol mark is according to the directive 2012/19/EU Article 14 Information for users and Annex IX.

Your MITSUBISHI ELECTRIC product is designed and manufactured with high quality materials and components which can be recycled and reused. This symbol means that electrical and electronic equipment, at their end-of-life, should be disposed of separately from your household waste. Please, dispose of this equipment at your local community waste collection/recycling centre.

In the European Union there are separate collection systems for used electrical and electronic product.

Please, help us to conserve the environment we live in!

7.1. Safety precautions

FOR USER

- ▶ Before installing the unit, make sure you read all the "Safety Precautions".
- ▶ The "Safety Precautions" provide very important points regarding safety. Make sure you follow them.
- ▶ Please report to or take consent by the supply authority before connection to the system.

Symbols used in the text

Warning:

Describes precautions that should be observed to prevent danger of injury or death to the user.

Caution:

Describes precautions that should be observed to prevent damage to the unit.

Symbols used in the illustrations

: Indicates a part which must be grounded.

Warning:

- For appliances not accessible to the general public.
- The unit must not be installed by the user. Ask the dealer or an authorized company to install the unit. If the unit is installed improperly, water leakage, electric shock or fire may result.
- Do not stand on, or place any items on the unit.
- Do not splash water over the unit and do not touch the unit with wet hands. An electric shock may result.
- Do not spray combustible gas close to the unit. Fire may result.
- Do not place a gas heater or any other open-flame appliance where it will be exposed to the air discharged from the unit. Incomplete combustion may result.
- Do not remove the front panel or the fan guard from the outdoor unit when it is running.
- When you notice exceptionally abnormal noise or vibration, stop operation, turn off the power switch, and contact your dealer.

- Never insert fingers, sticks etc. into the intakes or outlets.
- If you detect odd smells, stop using the unit, turn off the power switch and consult your dealer. Otherwise, a breakdown, electric shock or fire may result.
- If the supply cable is damaged, it must be replaced by the manufacturer, its service agent or similarly qualified persons in order to avoid a hazard.
- This appliance is not intended for use by persons (including children) with reduced physical, sensory or mental capabilities, or lack of experience and knowledge, unless they have been given supervision or instruction concerning use of the appliance by a person responsible for their safety.
- Children should be supervised to ensure that they do not play with the appliance.
- If the refrigeration gas blows out or leaks, stop the operation of the air conditioner, thoroughly ventilate the room, and contact your dealer.
- Do not install in location that is hot or humid for long periods of time.

Caution:

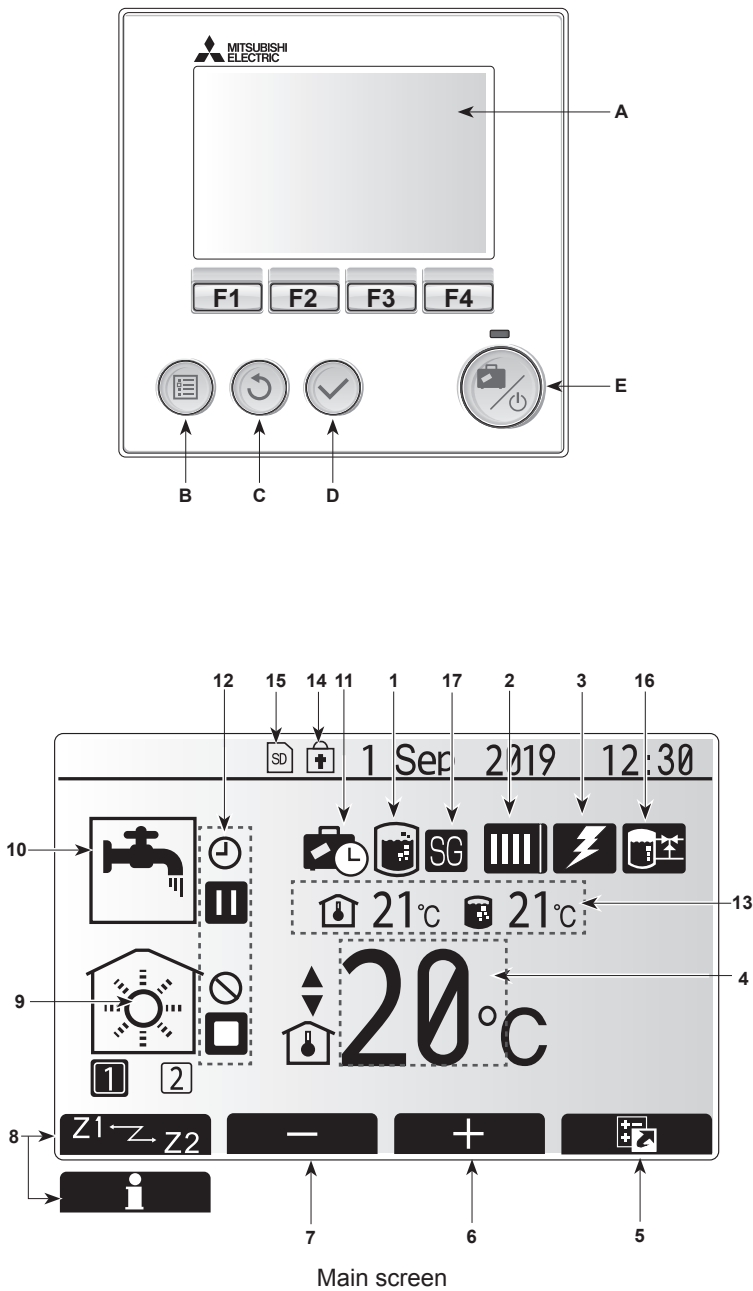
- Do not use any sharp object to push the buttons, as this may damage the main remote controller.
- Never block or cover the indoor or outdoor unit's intakes or outlets.

Disposing of the unit

When you need to dispose of the unit, consult your dealer.

7. Main remote controller operation

7.2 Main remote controller



<Main remote controller parts>

Letter	Name	Function
A	Screen	Screen in which all information is displayed.
B	Menu	Access to system settings for initial set up and modifications.
C	Back	Return to previous menu.
D	Confirm	Used to select or save. (Enter key)
E	Power/Holiday	If system is switched off pressing once will turn system ON. Pressing again when system is switched on will enable Holiday Mode. Holding the button down for 3 secs will turn the system off. (*1)
F1-4	Function keys	Used to scroll through menu and adjust settings. Function is determined by the menu screen visible on screen A.

*1

When the system is switched off or the power supply is disconnected, the indoor unit protection functions (e.g. freeze stat. function) will NOT operate. Please beware that without these safety functions enabled the indoor unit may potentially become exposed to damage.

<Main screen icons>

	Icon	Description
1	Legionella prevention	When this icon is displayed 'Legionella prevention mode' is active.
2	Heat pump	'Heat pump' is running.
		Defrosting
		Emergency heating
		'Quiet mode' is activated.
3	Electric heater	When this icon is displayed the 'Electric heaters' (booster or immersion heater) are in use.
4	Target temperature	Target flow temperature
		Target room temperature
		Compensation curve
5	OPTION	Pressing the function button below this icon will display the option screen.
6	+	Increase desired temperature.
7	-	Decrease desired temperature.
8	Z1 Z2	Pressing the function button below this icon switches between Zone1 and Zone2.
	Information	Pressing the function button below this icon displays the information screen.
9	Space heating (cooling) mode	Heating mode Zone1 or Zone2
		Cooling mode Zone1 or Zone2
10	DHW mode	Normal or ECO mode
11	Holiday mode	When this icon is displayed 'Holiday mode' activated.
12	Timer	Timer
		Prohibited
		Server control
		Stand-by
		Stand-by (*2)
		Stop
		Operating
13	Current temperature	Current room temperature
		Current water temperature of DHW tank
14	Lock	The Menu button is locked or the switching of the operation modes between DHW and Heating operations are disabled in the Option screen. (*3)
15	SD	SD memory card (NOT for the user) is inserted.
16	Buffer tank control	When this icon is displayed 'Buffer tank control' is active.
17	Smart grid ready	When this icon is displayed, 'Smart grid ready' is active.

*2 This unit is in Stand-by whilst other indoor unit(s) is in operation by priority.

*3 To lock or unlock the Menu, press the BACK and CONFIRM keys simultaneously for 3 seconds.

7. Main remote controller operation

■ [Initial setting wizard]

When the main remote controller is switched on for the first time, the screen automatically goes to Language setting screen , Date/Time setting screen and Main settings menu screen in order. Enter the desired number using the function keys and press CONFIRM.

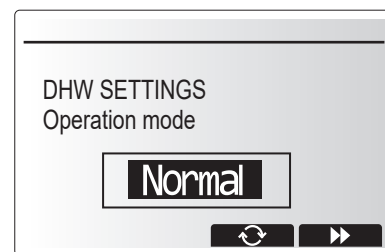
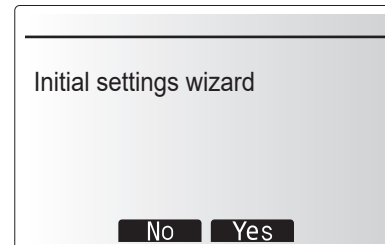
Note:

<[HEATER CAPACITY RESTRICTION]>

This setting restricts the booster heater capacity. It is NOT possible to change the setting after starting up.

If you do not have any special requirements (such as building regulations) in your country, skip this setting (select "No").

- [Hot water (DHW/Legionella)]
- [Heating]/[Cooling]
- [Operation (ON/Prohibited/Timer)]
- [Pump speed]
- [Heat pump flow rate range]
- [Mixing valve control]
- [HEATER CAPACITY RESTRICTION]



■ Main Settings Menu

The main settings menu can be accessed by pressing the MENU button. To reduce the risk of untrained end users altering the settings accidentally there are two access levels to the main settings; and the service section menu is password protected.

User Level – Short press

If the MENU button is pressed once for a short time the main settings will be displayed but without the edit function. This will enable the user to view current settings but **NOT** change the parameters.

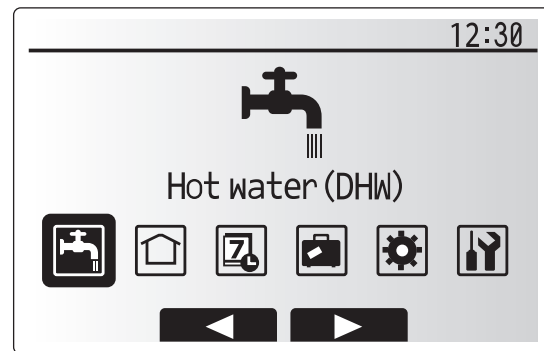
Installer Level – Long press

If the MENU button is pressed down for 3 seconds the main settings will be displayed with all functionality available.

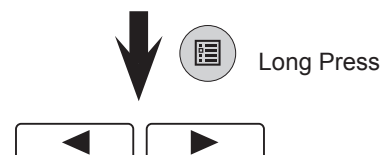
The colour of ◀▶ buttons is inverted, as per figure on right. <Fig. 5.5.1>.

The following items can be viewed and/or edited (dependent on access level).

- [Domestic Hot water (DHW)]
- [Heating/Cooling]
- [Schedule timer]
- [Holiday mode]
- [Initial settings]
- [Service (Password protected)]

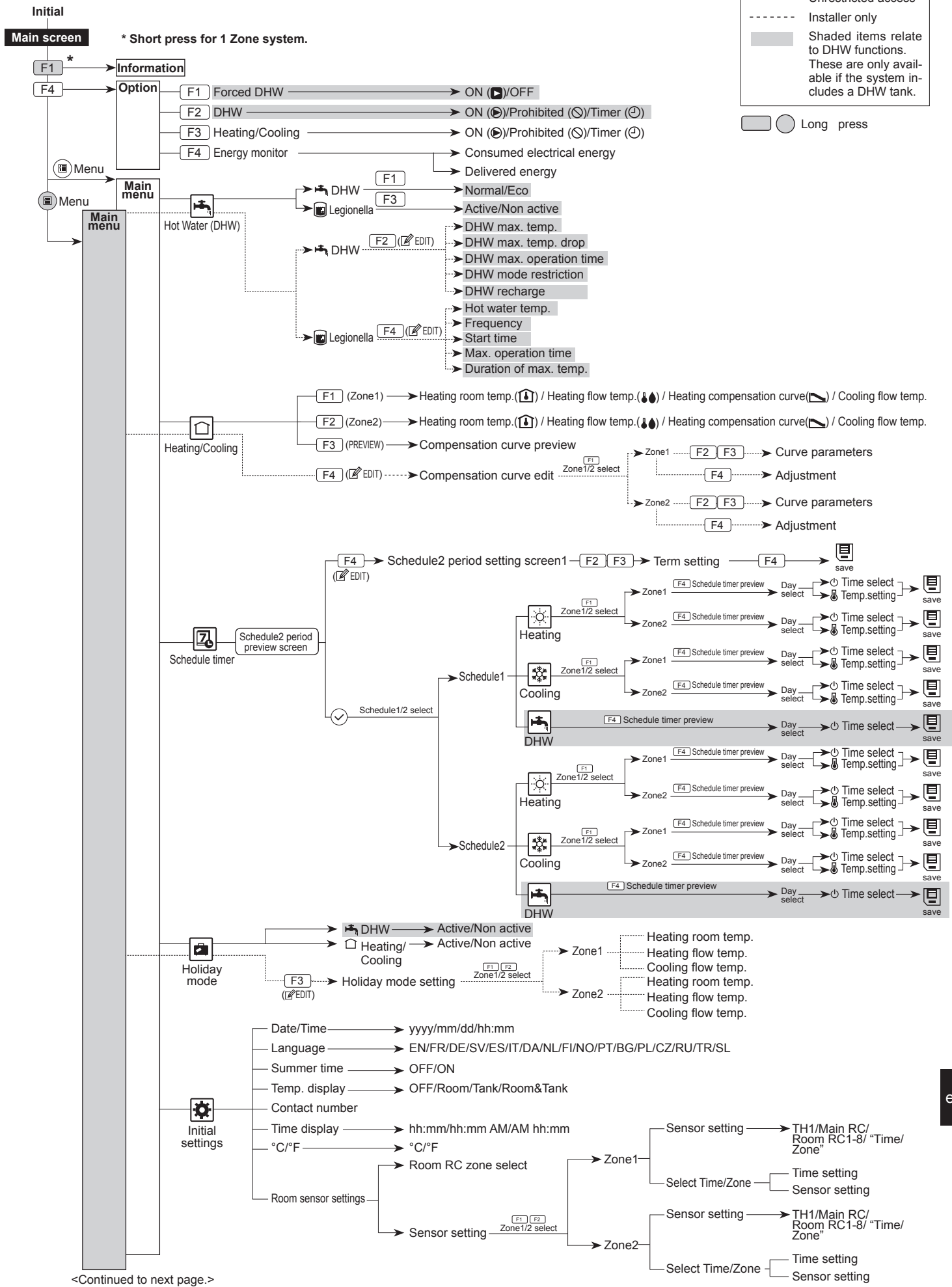


Main menu



7. Main remote controller operation

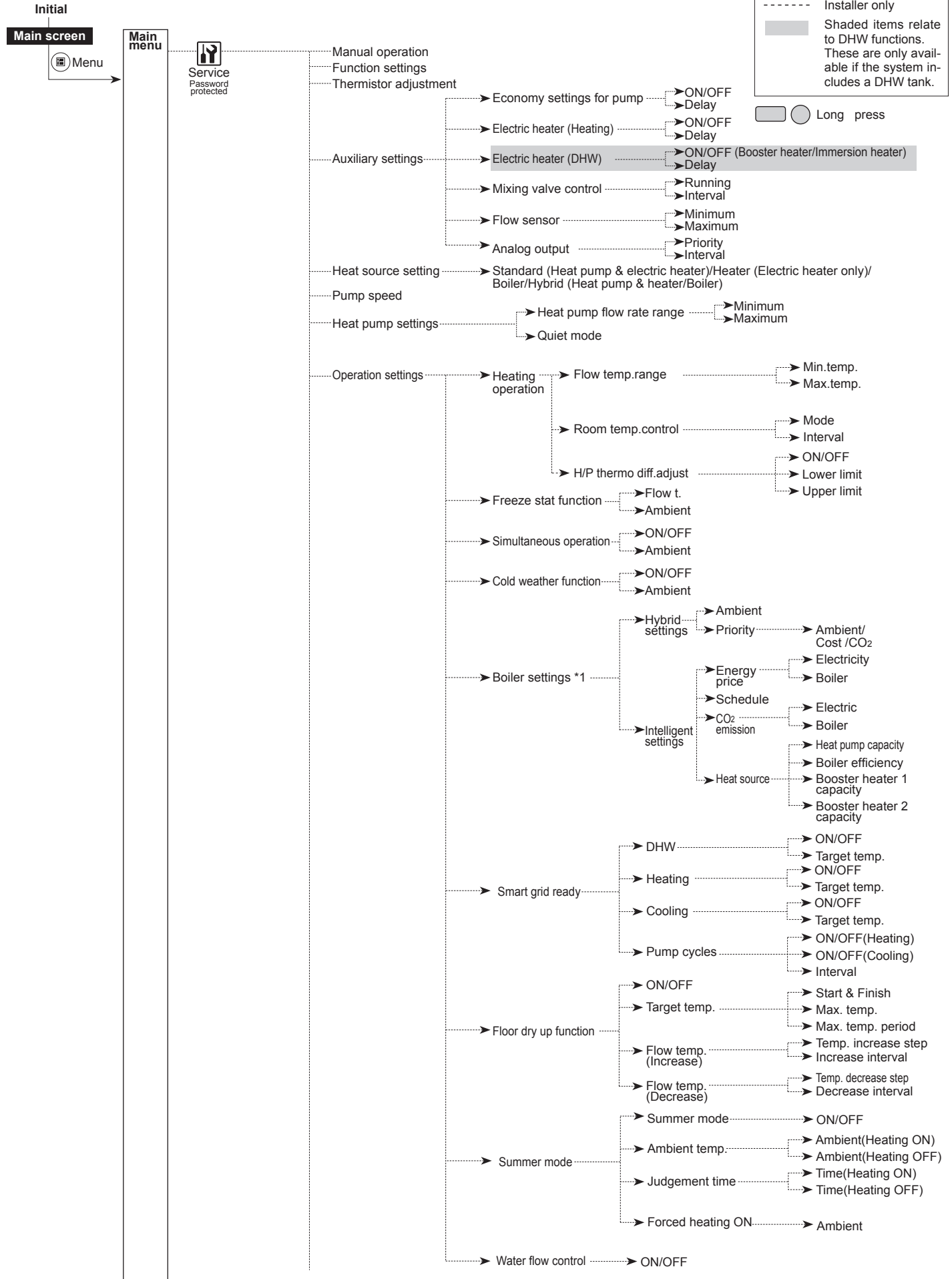
<Main Controller Menu Tree>



7. Main remote controller operation

<Continued from the previous page.>

<Main Controller Menu Tree>



— Unrestricted access
 - - - - - Installer only
 ■ Shaded items relate to DHW functions. These are only available if the system includes a DHW tank.
 □ ○ Long press

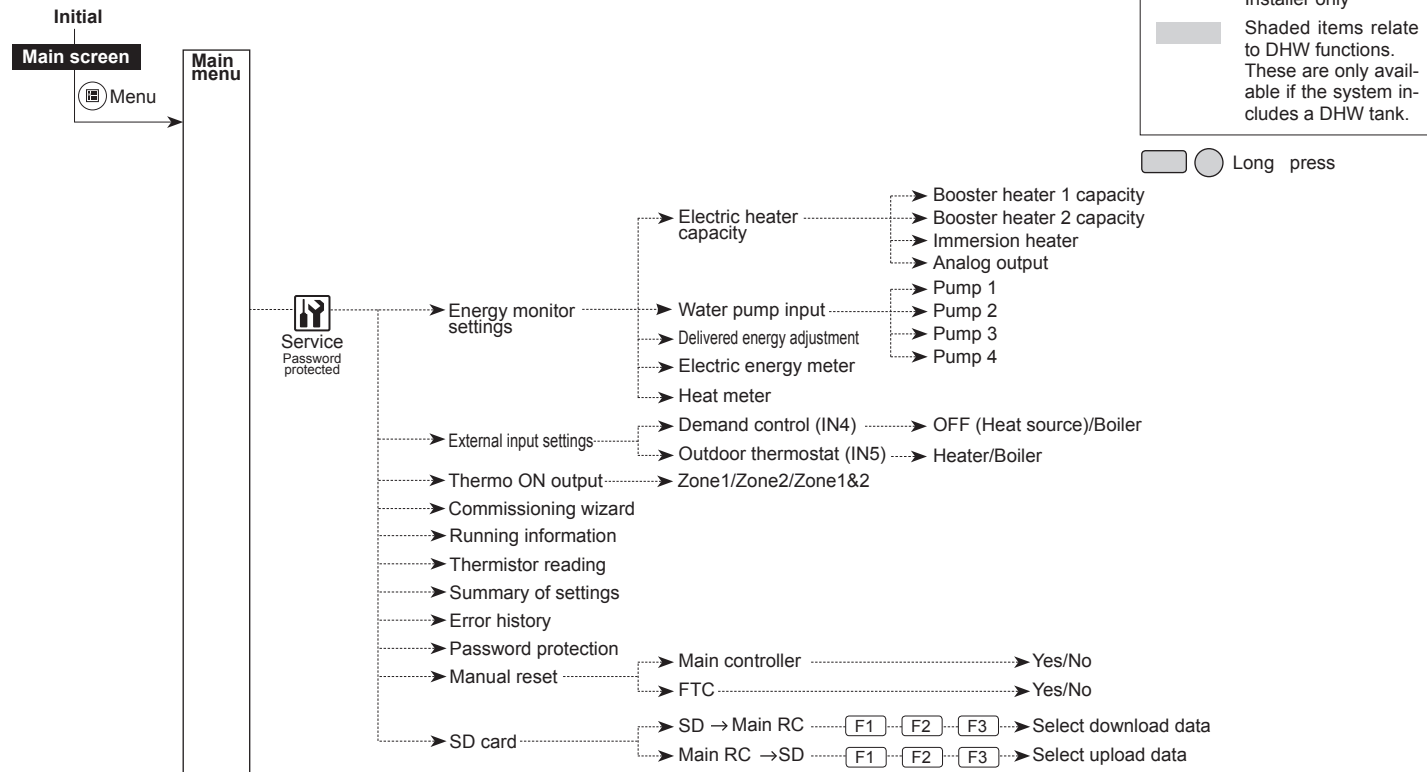
en

*1 For more details, refer to the installation manual of PAC-TH012HT(L)-E.

7. Main remote controller operation

<Continued from the previous page.>

<Main Controller Menu Tree>

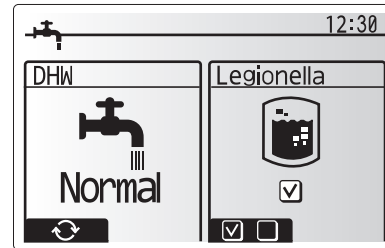


Domestic Hot Water (DHW)/Legionella Prevention

The domestic hot water and legionella prevention menus control the operation of DHW tank heat ups.

<DHW mode settings>

1. Highlight the hot water icon and press CONFIRM.
2. Use button F1 to switch between Normal and ECO heating modes.
3. To edit the mode, press down the MENU button for 3 seconds, then select "hot water".
4. Press F2 key to display the HOTWATER (DHW) SETTING menu.
5. Use F2 and F3 keys to scroll through the menu selecting each component in turn by pressing CONFIRM. See the table below for description of each setting.
6. Enter the desired number using the function keys and press CONFIRM.



Menu subtitle	Function	Range	Unit	Default value
DHW max. temp.	Desired temperature of stored hot water	40 - 60	°C	50
DHW max. temp. drop	Difference in temperature between DHW max. temp. and the temperature at which DHW mode restarts	5 - 30 *	°C	10
DHW max. operation time	Max. time allowed for stored water heating DHW mode	30 - 120	min	60
DHW mode restriction	The time period after DHW mode when space heating has priority over DHW mode temporarily preventing further stored water heating (Only when DHW max. operation time has passed.)	30 - 120	min	30

* When the DHW max. temp is set over 55 °C, the temperature at which DHW mode restarts must be less than 50 °C to protect the device.

<Eco mode>

DHW mode can run in either 'Normal' or 'Eco' mode. Normal mode will heat the water in the DHW tank more quickly using the full power of the heat pump. Eco mode takes a little longer to heat the water in the DHW tank but the energy used is reduced. This is because heat pump operation is restricted using signals from the FTC based on measured DHW tank temperature.

Note: The actual energy saved in Eco mode will vary according to outdoor ambient temperature.

<[DHW recharge]>

Select the amount of DHW tank.

Return to the DHW/legionella prevention menu.

en

7. Main remote controller operation

Legionella Prevention Mode settings (LP mode)

1. Use button F3 to choose legionella mode active YES/NO.
2. To edit the legionella function, press down the MENU button for 3 seconds and select "hot water", then press F4 key.
3. Use F1 and F2 keys to scroll through the menu selecting each subtitle in turn by pressing CONFIRM. See the table below for description of each setting.
4. Enter the desired number using the function keys and press CONFIRM.

During Legionella Prevention Mode the temperature of the stored water is increased above 60°C to inhibit legionella bacterium growth. It is strongly recommended that this is done at regular intervals. Please check local regulations for the recommended frequency of heat ups.

Please note that LP mode uses the assistance of electric heaters to supplement the energy input of the heat pump. Heating water for long periods of time is not efficient and will increase running costs. The installer should give careful consideration to the necessity of legionella prevention treatment whilst not wasting energy by heating the stored water for excessive time periods. The end user should understand the importance of this feature.
ALWAYS COMPLY WITH LOCAL AND NATIONAL GUIDANCE FOR YOUR COUNTRY REGARDING LEGIONELLA PREVENTION.

Note: When failures occur on the FTC unit, the LP mode may not function normally.

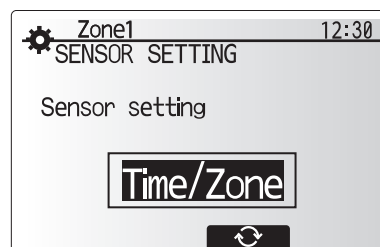
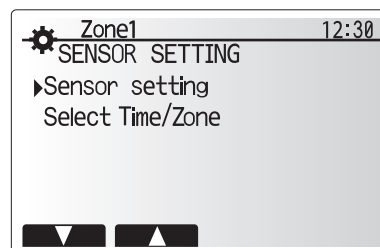
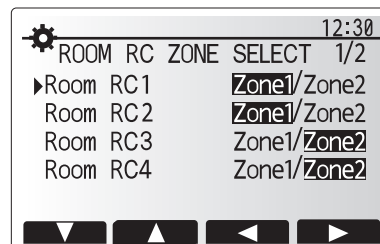
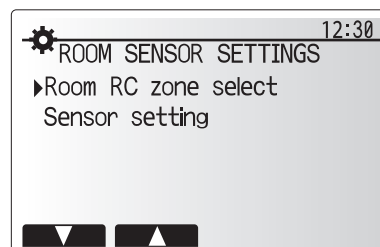
Menu subtitle	Function	Range	Unit	Default value
Hot water temp.	Desired temp. of stored hot water	60-70	°C	65
Frequency	Time between LP mode DHW tank heat up	1-30	day	15
Start time	Time when LP mode will begin	0:00-23:00	-	03:00
Max. operation time	Maximum time allowed for LP mode DHW tank heat	1-5	hour	3
Duration of max. temp.	The time period after LP mode desired water temp. has been reached	1-120	min	30

Initial Settings

<Room sensor settings>

For room sensor settings it is important to choose the correct room sensor depending on the heating mode the system will operate in.

1. From the Initial settings menu select Room sensor settings.
2. When 2-zone temperature control is active and wireless remote controllers are available, from Room RC zone select screen, select zone No. to assign to each remote controller.
3. From Sensor setting screen, select a room sensor to be used for monitoring the room temperature from Zone1 and Zone2 separately.
4. From Sensor setting screen, select Time/Zone to make it possible to use different room sensors according to the time schedule set in the Select Time/Zone menu. The room sensors can be switched up to 4 times within 24 hours.



7. Main remote controller operation

[Service] Menu

The service menu provides functions for use by installer or service engineer. It is NOT intended the home owner alters settings within this menu. It is for this reason password protection is required to prevent unauthorised access to the service settings.

The factory default password is "0000".

Follow the procedure described in General Operation for the set up operation.

Many functions can not be set whilst the indoor unit is running. The installer should turn off the unit before trying to set these functions. If the installer attempts to change the settings whilst the unit is running the main remote controller will display a reminder message prompting the installer to stop operation before continuing. By selecting "Yes" the unit will cease operation.

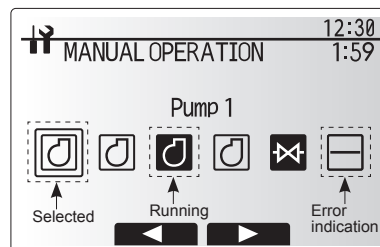
<[Manual operation]>

During the filling of the system the primary circuit circulation pump and 3-way valve can be manually overridden using manual operation mode.

When manual operation is selected a small timer icon appears in the screen. When selected, this function will only remain in manual operation for a maximum of 2 hours. This is to prevent accidental permanent override of the FTC.

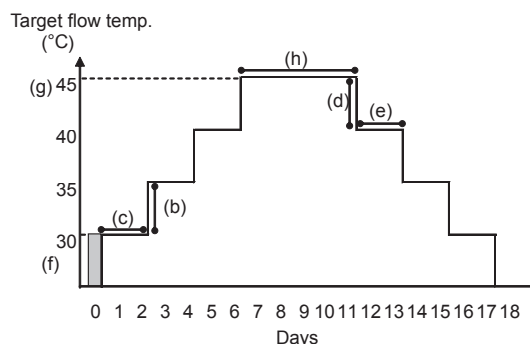
► Example

Pressing F3 button will switch manual operation mode ON for the main 3-way valve. When filling of the DHW tank is complete the installer should access this menu again and press F3 to deactivate manual operation of the part. Alternatively after 2 hours manual operation mode will no longer be active and FTC can resume control of the hydrobox.



Manual operation menu screen

Manual operation and heat source setting can not be selected if the system is running. A screen will be displayed asking the installer to stop the system before these modes can be activated. The system automatically stops 2 hours after last operation.



- This function is not available when a PUHZ-FRP outdoor unit is connected.
- Disconnect wiring to external inputs of room thermostat, demand control, and outdoor thermostat, or the target flow temperature may not be maintained.

<[Floor dry up function]>

The Floor dry up function automatically changes the target hot water temperature in stages to gradually dry concrete when this particular type of underfloor heating system is installed.

Upon completion of the operation the system stops all the operations except the Freeze stat. operation.

For Floor dry up function, the target flow temp. of Zone1 is the same as that of Zone2.

Functions	Symbol	Description	Option/Range	Unit	Default	
Floor dry up function	a	Set the function to ON and power on the system using the main remote controller, and the dry up heating operation will start.	On/Off	—	Off	
Flow temp. (increase)	Flow temp. increase step	b	Sets the increase step of the target flow temperature.	+1 - +10	°C	+5
	Increase interval	c	Sets the period for which the same target flow temperature is maintained.	1 - 7	day	2
Flow temp. (decrease)	Flow temp. decrease step	d	Sets the decrease step of the target flow temperature.	-1 - -10	°C	-5
	Decrease interval	e	Sets the period for which the same target flow temperature is maintained.	1 - 7	day	2
Target temperature	Start & Finish	f	Sets the target flow temperature at the start and the finish of the operation.	20 - 60	°C	30
	Max. target temp.	g	Sets the maximum target flow temperature.	20 - 60	°C	45
	Max. temp. period	h	Sets the period for which the maximum target flow temperature is maintained.	1 - 20	day	5

<[Password protection]>

Password protection is available to prevent unauthorised access to the service menu by untrained persons.

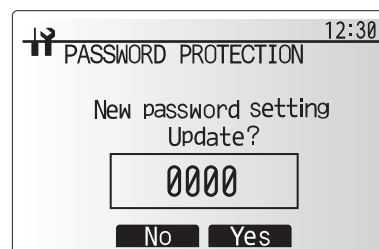
Resetting the password

If you forget the password you entered, or have to service a unit somebody else installed, you can reset the password to the factory default of 0000.

1. From the main settings menu scroll down the functions until Service Menu is highlighted.
2. Press CONFIRM.
3. You will be prompted to enter a password.
4. Hold down buttons F3 and F4 together for 3 seconds.
5. You will be asked if you wish to continue and reset the password to default setting.
6. To reset press button F3.
7. The password is now reset to 0000.



Password input screen



Password verify screen

<[Manual reset]>

Should you wish to restore the factory settings at any time you should use the manual reset function. Please note this will reset ALL functions to the factory default settings.

<[Auxiliary settings]>

Refer to Page 20.

en

7. Main remote controller operation

■ Engineers Forms

Should settings be changed from default, please enter and record new setting in 'Field Setting' column. This will ease resetting in the future should the system use change or the circuit board need to be replaced.

Commissioning/Field settings record sheet

Main remote controller screen		Parameters	Default setting	Field setting	Notes	
Main		Zone1 heating room temp.	10°C - 30°C	20°C		
		Zone2 heating room temp. *14	10°C - 30°C	20°C		
		Zone1 heating flow temp.	20°C - 60°C	45°C		
		Zone2 heating flow temp. *1	20°C - 60°C	35°C		
		Zone1 cooling flow temp. *12	5°C - 25°C	15°C		
		Zone2 cooling flow temp. *12	5°C - 25°C	20°C		
		Zone1 heating compensation curve	-9°C - + 9°C	0°C		
		Zone2 heating compensation curve *1	-9°C - + 9°C	0°C		
		Holiday mode	Active/Non active/Set time	—		
Option		Forced DHW operation	On/Off	—		
		DHW	On/Off/Timer	On		
		Heating/Cooling	On/Off/Timer	On		
		Energy monitor	Consumed electrical energy/Delivered energy	—		
Setting	DHW *13	Operation mode	Normal/Eco *16	Normal		
		DHW max. temp.	40°C - 60°C *2	50°C		
		DHW temp. drop	5°C - 30°C	10°C		
		DHW max. operation time	30 - 120 min	60 min		
		DHW mode restriction	30 - 120 min	30 min		
		DHW recharge	Large/Standard	Large *19		
	Legionella prevention *13	Active	Yes/No	Yes		
		Hot water temp.	60°C - 70°C *2	65°C		
		Frequency	1 - 30 days	15 days		
		Start time	00.00 - 23.00	03.00		
		Max. operation time	1 - 5 hours	3 hours		
		Duration of maximum temp.	1 - 120 min	30 min		
	Heating/ Cooling *12	Zone1 operation mode	Heating room temp./ Heating flow temp./ Heating compensation curve/ Cooling flow temp.	Room temp.		
		Zone2 operation mode *1	Heating room temp./ Heating flow temp./ Heating compensation curve/ Cooling flow temp.	Compensation curve		
	Compensation curve	Hi flow temp. set point	Zone1 outdoor ambient temp.	-30°C - +33°C *3	-15°C	
			Zone1 flow temp.	20°C - 60°C	50°C	
			Zone2 outdoor ambient temp. *1	-30°C - +33°C *3	-15°C	
			Zone2 flow temp. *1	20°C - 60°C	40°C	
		Lo flow temp. set point	Zone1 outdoor ambient temp.	-28°C - +35°C *4	35°C	
			Zone1 flow temp.	20°C - 60°C	25°C	
			Zone2 outdoor ambient temp. *1	-28°C - +35°C *4	35°C	
			Zone2 flow temp. *1	20°C - 60°C	25°C	
		Adjust	Zone1 outdoor ambient temp.	-29°C - +34°C *5	—	
			Zone1 flow temp.	20°C - 60°C	—	
			Zone2 outdoor ambient temp. *1	-29°C - +34°C *5	—	
			Zone2 flow temp. *1	20°C - 60°C	—	
	Holiday	DHW *13	Active/Non active	Non active		
		Heating/ Cooling *12	Active/Non active	Active		
Zone1 heating room temp.		10°C - 30°C	15°C			
Zone2 heating room temp. *14		10°C - 30°C	15°C			
Zone1 heating flow temp.		20°C - 60°C	35°C			
Zone2 heating flow temp. *1		20°C - 60°C	25°C			
Zone1 cooling flow temp. *12		5°C - 25°C	25°C			
Zone2 cooling flow temp. *12		5°C - 25°C	25°C			
Initial settings	Language	EN/FR/DE/SV/ES/IT/DA/NL/FI/NO/PT/BG/PL/CZ/RU/TR/SL	EN			
	°C/°F	°C/°F	°C			
	Summer time	On/Off	Off			
	Temp. display	Room/DHW tank/Room&DHW tank /Off	Off			
	Time display	hh:mm/HH:mm AM/AM hh:mm	hh:mm			
	Room sensor settings for Zone1	TH1/Main RC/Room RC1-8/"Time/Zone"	TH1			
	Room sensor settings for Zone2 *1	TH1/Main RC/Room RC1-8/"Time/Zone"	TH1			
	Room RC zone select *1	Zone1/Zone2	Zone1			

(Continued to next page.)

7. Main remote controller operation

■ Engineers Forms

Commissioning/Field settings record sheet

Main remote controller screen			Parameters		Default setting	Field setting	Notes
Setting	Service menu	Thermistor adjustment	THW1	-10°C - +10°C	0°C		
			THW2	-10°C - +10°C	0°C		
			THW5B	-10°C - +10°C	0°C		
			THW6	-10°C - +10°C	0°C		
			THW7	-10°C - +10°C	0°C		
			THW8	-10°C - +10°C	0°C		
			THW9	-10°C - +10°C	0°C		
			THW10	-10°C - +10°C	0°C		
			THWB1	-10°C - +10°C	0°C		
			Auxiliary settings	Economy settings for pump.	On/Off *6	On	
		Delay (3 - 60 min)			10 min		
		Electric heater (Heating)		Space heating: On (used)/Off (not used)	On		
				Electric heater delay timer (5 - 180 min)	30 min		
		Electric heater (DHW) *13		Booster heater	DHW: On (used)/Off (not used)	On	
				Immersion heater	DHW: On (used)/Off (not used)	On	
				Electric heater delay timer (15 - 30 min)	15 min		
		Mixing valve control		Running (10 - 240 sec)	120 sec		
				Interval (1 - 30 min)	2 min		
		Flow sensor *18		Minimum (0 - 100 L/min)	5 L/min		
			Maximum (0 - 100 L/min)	100 L/min			
		Analog output	Interval (1 - 30 min)	5 min			
			Priority (Normal/High)	Normal			
		Pump speed	DHW	Pump speed (1 - 5)	5		
			Heating/Cooling	Pump speed (1 - 5)	5		
		Heat source setting		Standard/Heater/Boiler/Hybrid *7	Standard		
		Heat pump setting	Heat pump flow rate range	Minimum (0 - 100 L/min)	5 L/min		
				Maximum (0 - 100 L/min)	100 L/min		
			Quiet mode	Day (Mon - Sun)	—		
				Time	0:00 - 23:45		
			Quiet level (Normal/ Level1/ Level2)	Normal			
		Operation settings	Heating operation *8	Flow temp.range *10	Min.temp. (20 - 45°C)	30°C	
					Max.temp. (35 - 60°C)	50°C	
				Room temp.control *15	Mode (Normal/Fast)	Normal	
			Heat pump thermo diff.adjust	On/Off *6	On		
				Lower limit (-9 - -1°C)	-5°C		
				Upper limit (+3 - +5°C)	5°C		
			Freeze stat function *11	Outdoor ambient temp. (3 - 20°C) / **	5°C		
			Simultaneous operation (DHW/ Heating)	On/Off *6	Off		
			Cold weather function	Outdoor ambient temp. (-30 - +10°C) *3	-15°C		
				On/Off *6	Off		
			Boiler operation	Hybrid settings	Outdoor ambient temp. (-30 - +10°C) *3	-15°C	
					Priority mode (Ambient/Cost/CO ₂) *17	Ambient	
					Outdoor ambient temp. rise (+1 - +5 °C)	+3 °C	
				Intelligent settings	Energy price *9	Electricity (0.001 - 999 */kWh)	0.5 */kWh
						Boiler (0.001 - 999 */kWh)	0.5 */kWh
CO ₂ emission	Electricity (0.001 - 999 kg -CO ₂ /kWh)	0.5 kg -CO ₂ / kWh					
	Boiler (0.001 - 999 kg -CO ₂ /kWh)	0.5 kg -CO ₂ / kWh					
Heat source	Heat pump capacity (1 - 40 kW)	11.2 kW					
	Boiler efficiency (25 - 150%)	80%					
	Booster heater 1 capacity (0 - 30 kW)	2 kW					
	Booster heater 2 capacity (0 - 30 kW)	4 kW					

(Continued to next page.)

7. Main remote controller operation

■ Engineers Forms

Commissioning/Field settings record sheet (continued from the previous page)

Main remote controller screen				Parameters	Default setting	Field setting	Notes
Service menu	Operation settings	Smart grid ready	DHW	On/Off	Off		
				Target temp(+1- +20°C) / -- (Non active)	--		
			Heating	On/Off	Off		
				Target temp.	Switch-on recommendation (20 - 60°C)	50°C	
					Switch-on command (20 - 60°C)	55°C	
			Cooling	On/Off	Off		
				Target temp.	Switch-on recommendation (5 - 25°C)	15°C	
					Switch-on command (5 - 25°C)	10°C	
			Pump cycles	Heating (On/Off)	On		
				Cooling (On/Off)	On		
				Interval (10-120 min)	10 min		
			Floor dry up function	On/Off *6	Off		
		Target temp.		Start&Finish (20 - 60°C)	30°C		
				Max. temp. (20 - 60°C)	45°C		
				Max. temp. period (1 - 20 days)	5 days		
		Flow temp. (Increase)		Temp. increase step (+1 - +10°C)	+5°C		
				Increase interval (1 - 7 days)	2 days		
		Flow temp. (Decrease)		Temp. decrease step (-1 - -10°C)	-5°C		
				Decrease interval (1 - 7 days)	2 days		
		Summer mode	On/Off	Off			
			Outdoor ambient temp.	Heating ON (4-19°C)	10°C		
				Heating OFF (5-20°C)	15°C		
			Judgement time	Heating ON (1-48 hours)	6 hours		
				Heating OFF (1-48 hours)	6 hours		
		Forced heating ON (-30 - 10°C)	5 °C				
		Water flow control	On/Off	Off			
		Energy monitor settings	Electric heater capacity	Booster heater 1 capacity	0 - 30 kW	2 kW	
Booster heater 2 capacity	0 - 30 kW			4 kW			
Immersion heater capacity	0 - 30 kW			0 kW			
Analog output	0 - 30 kW			0 kW			
Delivered energy adjustment	-50 - +50%		0%				
Water pump input	Pump 1		0 - 200 W or ***(factory fitted pump)	***			
	Pump 2		0 - 200 W	0 W			
	Pump 3		0 - 200 W	0 W			
	Pump 4 *19		0 - 200 W	72 W			
Electric energy meter	0.1/1/10/100/1000 pulse/kWh		1 pulse/kWh				
Heat meter	0.1/1/10/100/1000 pulse/kWh	1 pulse/kWh					
External input settings	Demand control (IN4)	Heat source OFF/Boiler operation	Boiler operation				
	Outdoor thermostat (IN5)	Heater operation/Boiler operation	Boiler operation				
Thermo ON output	Zone1/Zone2/Zone1&2	Zone1&2					

*1 The settings related to Zone2 can be switched only when 2 Zone temperature control is enabled (when DIP SW2-6 and SW 2-7 are ON).

*2 For the model without both booster and immersion heater, it may not reach the set temperature depending on the outside ambient temperature.

*3 The lower limit is -15°C depending on the connected outdoor unit.

*4 The lower limit is -13°C depending on the connected outdoor unit.

*5 The lower limit is -14°C depending on the connected outdoor unit.

*6 On: the function is active; Off: the function is inactive.

*7 When DIP SW1-1 is set to OFF "WITHOUT Boiler" or SW2-6 is set to OFF "WITHOUT Mixing tank", neither Boiler nor Hybrid can be selected.

*8 Valid only when operating in Room temp. control mode.

9 "" of "*/kWh" represents currency unit (e.g. € or £ or the like)

*10 Valid only when operating in Heating room temperature.

*11 If asterisk (**) is chosen freeze stat function is deactivated. (i.e. primary water freeze risk)

12 Cooling mode settings are available for ERS model only.

*13 Only available if DHW tank present in system.

*14 The settings related to Zone2 can be switched only when 2-zone temperature control or 2-zone valve ON/OFF control is active.

*15 When DIP SW5-2 is set to OFF, the function is active.

*16 When the hydrobox is connected with a PUMY-P outdoor unit, the mode is fixed to "Normal".

*17 When the hydrobox is connected with a PUMY-P outdoor unit, the mode is fixed to "Ambient".

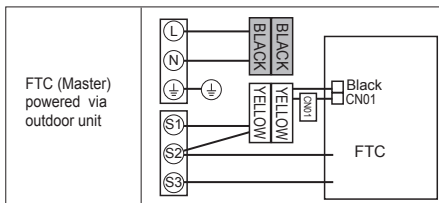
*18 Do not change the setting since it is set according to the specification of flow sensor attached to the hydrobox.

*19 This setting is valid for only cylinder units.

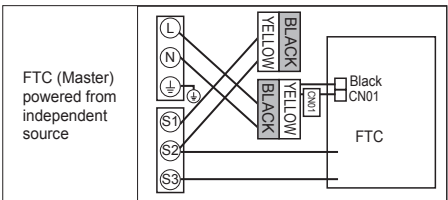
8. Troubleshooting

<Troubleshooting by inferior phenomena>

No.	Fault symptom	Possible cause	Explanation - Solution
1	Main remote controller display is blank.	<ol style="list-style-type: none"> There is no power supply to main remote controller. Power is supplied to main remote controller, however, the display on the main remote controller does not appear. 	<ol style="list-style-type: none"> Check LED2 on FTC (Master). (See <Figure 4.5.1>.) <ol style="list-style-type: none"> When LED2 is lit. Check for damage or contact failure of the main remote controller wiring. When LED2 is blinking. Refer to No. 5 below. When LED2 is not lit. Refer to No. 4 below. Check the following: <ul style="list-style-type: none"> Disconnection between the main remote controller cable and the FTC (Master) control board Failure of the main remote controller if "Please Wait" is not displayed. Refer to No. 2 below if "Please Wait" is displayed.
2	"Please Wait" remains displayed on the main remote controller.	<ol style="list-style-type: none"> "Please Wait" is displayed for up to 6 minutes. Communication failure between the main remote controller and FTC (Master). Communication failure between FTC (Master) and outdoor unit. 	<ol style="list-style-type: none"> Normal operation. 3. Main remote controller start up checks/procedure. <ol style="list-style-type: none"> If "0%" or "50-99%" is displayed below "Please Wait" there is a communication error between the main remote controller and the FTC (Master) control board. <ul style="list-style-type: none"> Check wiring connections on the main remote controller. Replace the main remote controller or the FTC (Master) control board. If "1-49%" is displayed there is a communication error between the outdoor unit's and FTC (Master) control boards. <ul style="list-style-type: none"> Check the wiring connections on the outdoor unit control board and the FTC (Master) control board. (Ensure S1 and S2 are not cross-wired and S3 is securely wired with no damage. (See section 4.1.) Replace the outdoor unit's and/or the FTC (Master) control boards.
3	The main screen appears with a press of the "ON" button, but disappears in a second.	The main remote controller operations do not work for a whilst after the settings are changed in the service menu. This is because the system takes time to apply the changes.	Normal operation. The indoor unit is applying updated settings made in the service menu. Normal operation will start shortly.
4	LED2 on FTC (Master) is off. (See <Figure 4.5.1>.)	<p>When LED1 on FTC (Master) is also off. (See <Figure 4.5.1>.) <FTC (Master) powered via outdoor unit.></p> <ol style="list-style-type: none"> The outdoor unit is not supplied at the rated voltage. Defective outdoor controller circuit board FTC (Master) is not supplied with 220 to 240V AC FTC (Master) failure Faulty connector wiring 	<ol style="list-style-type: none"> Check the voltage across the terminals L and N or L3 and N on the outdoor power board. (See section 4.1.) <ul style="list-style-type: none"> When the voltage is not 220 to 240V AC, check wiring of the outdoor unit and of the breaker. When the voltage is at 220 to 240V AC, go to "2." below. Check the voltage across the outdoor unit terminals S1 and S2. (See section 4.1.) <ul style="list-style-type: none"> When the voltage is not 220 to 240V AC, check the fuse on the outdoor control board and check for faulty wiring. When the voltage is 220 to 240V AC, go to "3." below. Check the voltage across the indoor unit terminals S1 and S2. (See section 4.1.) <ul style="list-style-type: none"> When the voltage is not 220 to 240V AC, check FTC (Master)-outdoor unit wiring for faults. When the voltage is 220 to 240V AC, go to "4." below. Check the FTC (Master) control board. <ul style="list-style-type: none"> Check the fuse on FTC (Master) control board. Check for faulty wiring. If no problem found with the wiring, the FTC (Master) control board is faulty. Check the connector wiring. <ul style="list-style-type: none"> When the connectors are wired incorrectly, re-wire the connectors referring to below. (See section 4.1.)



8. Troubleshooting

No.	Fault symptom	Possible cause	Explanation - Solution
4.	LED2 on FTC (Master) is off. (See Figure <4.5.1>)	<FTC (Master) powered on independent source>	<ol style="list-style-type: none"> 1. Check the voltage across the L and N terminals on the indoor power supply terminal block. (See section 4.1.) <ul style="list-style-type: none"> • When the voltage is not 220 to 240V AC, check for faulty wiring to power supply. • When the voltage is 220 to 240V AC, go to 2. below. 2. Check for faulty wiring between the connectors. <ul style="list-style-type: none"> • When the connectors are wired incorrectly re-wire them correctly referring to below. (See section 4.1 and a wiring diagram on the control and electrical box cover.)  <ol style="list-style-type: none"> 3. Check the FTC (Master) control board. <ul style="list-style-type: none"> • Check the fuse on FTC (Master) control board. • Check for faulty wiring. • If no problem found with the wiring, the FTC (Master) control board is faulty.
		1. FTC (Master) is not supplied with 220 to 240V AC.	
		3. FTC (Master) failure	<ol style="list-style-type: none"> 3. Check the FTC (Master) control board. <ul style="list-style-type: none"> • Check the fuse on FTC (Master) control board. • Check for faulty wiring. • If no problem found with the wiring, the FTC (Master) control board is faulty.
		When LED1 on FTC (Master) is lit. Incorrect setting of refrigerant address for outdoor unit. (None of the refrigerant address is set to "0".)	Recheck the refrigerant address setting on the outdoor unit. Set the refrigerant address to "0". (Set refrigerant address using SW1(3 - 6) on outdoor controller circuit board.)
5	LED2 on FTC (Master) is blinking. (See Figure <4.5.1>)	When LED1 is also blinking on FTC (Master). Faulty wiring between FTC (Master) and outdoor unit	Check for faulty wiring between FTC (Master) and outdoor unit.
		When LED1 on FTC (Master) is lit.	<ol style="list-style-type: none"> 1. Check for faulty wiring in main remote controller. The number of indoor units that can be wired to a single outdoor unit is one. Additional indoor units must be wired individually to a single outdoor unit. 2. Short-circuited wiring in main remote controller 3. Main remote controller failure
6	LED4 on FTC (Master) is off. (See figure <4.5.1>)	<ol style="list-style-type: none"> 1. SD memory card is NOT inserted into the memory card slot with correct orientation. 2. Not an SD standards compliant memory card. 	<ol style="list-style-type: none"> 1. Correctly insert SD memory card in place until a click is heard. 2. Use an SD standards compliant memory card. (Refer to section 4.11.)
	LED4 on FTC (Master) is blinking. (See Figure <4.5.1>)	<ol style="list-style-type: none"> 1. Full of data. 2. Write-protected. 3. NOT formatted. 4. Formatted in NTFS file system. 	<ol style="list-style-type: none"> 1. Move or delete data, or replace SD memory card with a new one. 2. Release the write-protect switch. 3. Refer to "4.11 Using SD memory card". 4. FTC is Not compatible with NTFS file system. Use an SD memory card formatted in FAT file system.
7	No water at hot tap.	<ol style="list-style-type: none"> 1. Cold main off 2. Strainer (local supply) blocked. 	<ol style="list-style-type: none"> 1. Check and open stop cock. 2. Isolate water supply and clean strainer.
8	Cold water at tap.	<ol style="list-style-type: none"> 1. Hot water run out. 2. Prohibit, schedule timer or holiday mode selected. 3. Heat pump not working. 4. Booster heater cut-out tripped. 5. The earth leakage circuit breaker for booster heater breaker (ECB1) tripped. 6. The booster heater thermal cut-out has tripped and cannot be reset using the manual reset button. 7. Immersion heater cut-out tripped. 8. Immersion heater breaker (ECB2) tripped. 9. 3-way valve fault 	<ol style="list-style-type: none"> 1. Ensure DHW mode is operating and wait for DHW tank to re-heat. 2. Check settings and change as appropriate. 3. Check heat pump – consult outdoor unit service manual. 4. Check booster heater thermostat and press reset button if safe. 5. Check the cause and reset if safe. 6. Check resistance across the thermal cut-out, if open then the connection is broken and the booster heater will have to be replaced. Contact your Mitsubishi Electric dealer. 7. Check immersion heater thermostat and press reset button, located on immersion heater boss, if safe. If the heater has been operated with no water inside it may have failed, so please replace it with a new one. 8. Check the cause and reset if safe. 9. Check plumbing/wiring to 3-way valve. <ol style="list-style-type: none"> (i) Manually override 3-way valve using the main remote controller. (Refer to <Manual operation> in section 7.2.) If the valve does not still function, go to (ii) below. (ii) Replace 3-way valve coil. If the valve does not still function, go to (iii) below. (iii) Replace 3-way valve. (Refer to the service manual.)

8. Troubleshooting

No.	Fault symptom	Possible cause	Explanation - Solution
9	Water heating takes longer.	<ol style="list-style-type: none"> Heat pump not working. Booster heater cut-out tripped. Booster heater breaker tripped. The booster heater thermal cut-out has tripped and cannot be reset using the manual reset button. Immersion heater cut-out has been triggered. Immersion heater breaker tripped. Decreased flow rate in DHW circuit. (Only when the external plate HEX for DHW is used.) 	<ol style="list-style-type: none"> Check heat pump – consult outdoor unit service manual. Check booster heater thermostat and press reset button if safe. Check the cause and reset if safe. Check resistance across the thermal cut-out, if open then connection is broken and the booster heater will have to be replaced. Contact your Mitsubishi Electric dealer. Check immersion heater thermostat and press reset button located on immersion heater boss, if safe. If the heater kept running with no water inside, this may have resulted in failure, so replace it with a new one. Check the cause and reset if safe. Check the water circulation pump 4 (DHW).
10	Temperature of DHW tank water dropped.	<p>When DHW operation is not running, the DHW tank emits heat and the water temperature decreases to a certain level. If water in the DHW tank is reheated frequently because of a significant drop in water temperature, check for the following.</p> <ol style="list-style-type: none"> Water leakage in the pipes that connect to the DHW tank Insulation material coming loose or off. 3-way valve failure 	<ol style="list-style-type: none"> Take the following measures. <ul style="list-style-type: none"> Retighten the nuts holding the pipes onto the DHW tank. Replace seal materials. Replace the pipes. Fix insulation. Check plumbing/wiring to 3-way valve. <ol style="list-style-type: none"> Manually override 3-way valve using the main remote controller. (Refer to <Manual operation> in section 7.2.) If the valve does not still function, go to (ii) below. Replace 3-way valve coil. If the valve does not still function, go to (iii) below. Replace 3-way valve. (Refer to the service manual.)
11	Hot or warm water from cold tap.	Heat of hot water pipe is transferred to cold water pipe.	Insulate/re-route pipework.
12	Water leakage	<ol style="list-style-type: none"> Poorly sealed connections of water circuit components Water circuit components reaching the end of life 	<ol style="list-style-type: none"> Tighten connections as required. Refer to PARTS CATALOG in the service manual for expected part lifetimes and replace them as necessary.
13	Heating system does not reach the set temperature.	<ol style="list-style-type: none"> Prohibit, schedule timer or holiday mode selected. Check settings and change as appropriate. The temperature sensor is located in a room that has a different temperature relative to that of the rest of the house. Heat pump not working. Booster heater cut-out tripped. Booster heater breaker (ECB1) tripped. The booster heater thermal cut-out tripped and can not be reset using the manual reset button. Incorrectly sized heat emitter. 3-way valve failure Battery problem (*wireless control only) If a mixing tank is installed, the flow rate between the mixing tank and the heat exchanger is less than that between the mixing tank and the local system. 	<ol style="list-style-type: none"> Check settings and change as appropriate. Check the battery power and replace if flat. Relocate the temperature sensor to a more suitable room. Check heat pump – consult outdoor unit service manual. Check booster heater thermostat and press reset button if safe. Check the cause of the trip and reset if safe. Check resistance across the thermal cut-out, if open then the connection is broken and the booster heater will have to be replaced. Contact your Mitsubishi Electric dealer. Check the heat emitter surface area is adequate. Increase size if necessary. Check plumbing/wiring to 3-way valve. Check the battery power and replace it flat. Increase the flow rate between the mixing tank and the heat exchanger decrease that between the mixing tank and the local system.
14	In 2-zone temperature control, only Zone2 does not reach the set temperature.	<ol style="list-style-type: none"> When Zone1 and Zone2 are both in heating mode, the hot water temperature in Zone2 does not exceed that in Zone1. Faulty wiring of motorized mixing valve Faulty installation of motorized mixing valve Incorrect setting of Running time Motorized mixing valve failure 	<ol style="list-style-type: none"> Normal action no action necessary. Refer to "4.7 Wiring for 2-zone temperature control". Check for correct installation. (Refer to the manual included with each motorized mixing valve.) Check for correct setting of Running time. Inspect the mixing valve. (Refer to the manual included with each motorized mixing valve.)
15	After DHW operation room temperature rises slightly.	At the end of the DHW mode operation the 3-way valve diverts hot water away from the DHW circuit into space heating circuit. This is done to prevent the system components from overheating. The amount of hot water directed into the space heating circuit varies according to the type of the system.	Normal operation no action necessary.

8. Troubleshooting

No.	Fault symptom	Possible cause	Explanation - Solution
16	The room temperature rises during DHW operation.	3-way valve failure	Check the 3-way valve.
17	Water discharges from pressure relief valve. (Primary circuit)	<ol style="list-style-type: none"> 1. If continual – pressure relief valve may be damaged. 2. If intermittent – expansion vessel charge may have reduced/bladder perished. 	<ol style="list-style-type: none"> 1. Turn the handle on the pressure relief valve to check for foreign objects in it. If the problem is not still solved, replace the pressure relief valve with a new one. 2. Check pressure in expansion vessel. Recharge to 1 bar if necessary. If bladder perished replace expansion vessel with a new one.
18	Water discharges from pressure relief valve (field supplied item). (Sanitary circuit)	<ol style="list-style-type: none"> 1. If continual – field supplied pressure reducing valve not working. 2. If continual – pressure relief valve seat may be damaged. 3. If intermittent – expansion vessel charge may have reduced/bladder perished. 4. DHW tank may have subjected to backflow. 	<ol style="list-style-type: none"> 1. Check function of pressure reducing valve and replace if necessary. 2. Turn the handle on the pressure relief valve to check for foreign objects inside. If the problem is not still solved, replace the pressure relief valve. 3. Check gas-side pressure in expansion vessel. Recharge to correct precharge pressure if necessary. If bladder perished replace expansion vessel with a new one with appropriate pre-charge. 4. Check gas-side pressure in DHW tank. If pressure in DHW tank is similar to that in incoming mains, cold water supply that merges with incoming mains water supply could flow back to DHW tank. Investigate source of back-feed and rectify error in pipework/fitting configuration. Adjust pressure in cold supply.
19	Noisy water circulation pump	Air in water circulation pump.	Use manual and automatic air vents to remove air from system. Top up water if necessary to achieve 1 bar on primary circuit.
20	Noise during hot water draw off typically worse in the morning.	<ol style="list-style-type: none"> 1. Loose airing cupboard pipework. 2. Heaters switching on/off. 	<ol style="list-style-type: none"> 1. Install extra pipe fastening clips. 2. Normal operation no action necessary.
21	Mechanical noise heard coming from the system.	<ol style="list-style-type: none"> 1. Heaters switching on/off. 2. 3-way valve changing position between DHW and heating mode. 	Normal operation no action necessary.
22	Water circulation pump runs for a short time unexpectedly.	Water circulation pump jam prevention mechanism (routine) to inhibit the build-up of scale.	Normal operation no action necessary.
23	Milky/Cloudy water (Sanitary circuit)	Oxygenated water	Water from any pressurised system will release oxygen bubbles when water is running. The bubbles will settle out.
24	Heating mode has been on standby for a long time (does not start operation smoothly.)	The time of "Delay" set in "Economy settings for pump" is too short. (Go to "Service menu" → "Auxiliary settings" → "Economy settings for pump")	Increase the time of "Delay" in "Economy settings for pump".
25	The FTC unit that was running in the heating mode before power failure is running in the DHW mode after power recovery.	The FTC unit is designed to run in an operation mode with a higher priority (i.e. DHW mode in this case) at power recovery.	<ul style="list-style-type: none"> • Normal operation. • After the DHW max. operation time has elapsed or the DHW max. temperature has been reached, the DHW mode switches to the other mode (ex. Heating mode).
26	Cooling mode is NOT available.	Dip SW2-4 is OFF.	Turn Dip SW2-4 to ON. (Refer to "5.1 Dip Switch Functions" in this manual.)
27	The cooling system does not cool down to the set temperature.	<ol style="list-style-type: none"> 1. When the water in the circulation circuit is unduly hot, Cooling mode starts with a delay for the protection of the outdoor unit. 2. When the outdoor temperature is lower than the preset temperature below which the freeze stat. function is activated, Cooling mode does not start running. 	<ol style="list-style-type: none"> 1. Normal operation. 2. To run Cooling mode overriding the freeze stat. function, adjust the preset temperature below which the freeze stat. function is activated. (Refer to "<Freeze stat function>" on Page 45.
28	The electric heaters are activated shortly after DHW or LP mode starts running after Cooling mode.	The setting time period of Heat-pump-only operation is short.	Adjust the setting time period of Heat-pump only operation. (Refer to "<Electric heater (DHW)>" on Page 45.)
29	During DHW or LP mode following the cooling mode, error L6 (circulation water freeze protection) occurs and operation stops frequently.	If the preset temperature below which the freeze stat. function is activated is low, error L6 is more likely to occur interruption operation before the freeze stat. function is activated.	Adjust the preset temperature below which the freeze stat. function is activated. (Refer to "<Freeze stat function>" on Page 45.)
30	Heat pump is forced to turn ON and OFF.	Smart grid ready input (IN11 and IN12) is used, and switch-on and off commands are input.	Normal operation no action necessary.

9. Multiple outdoor units control

9.1 Wiring for multiple outdoor units control

To establish a larger system, up to 6 outdoor units of the same model can be connected in one system.

Note:

- SUZ-SWM outdoor unit can not be connected.
- PUZ-(H)WM outdoor unit can not be connected to PAC-SIF051B-E.

9.1.1 Requirements

<Outdoor unit>

- Up to 6 units can be connected.
- All the outdoor units must be of the same model.
- The outdoor units must be connected to slave units.

<FTC: Master unit>

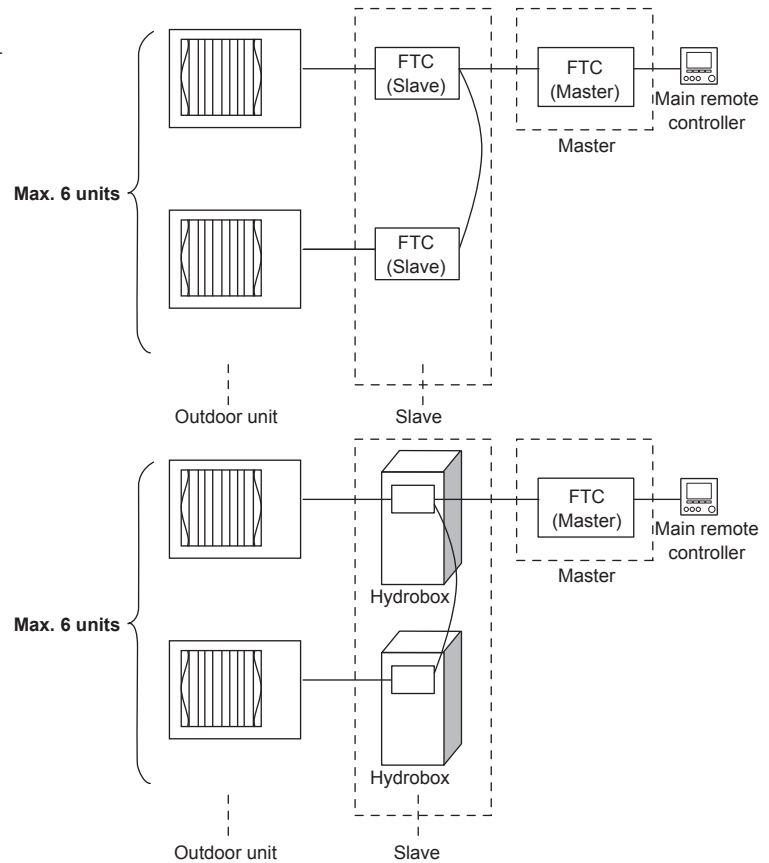
Each slave unit is controlled by the master unit.

- The outdoor units must NOT be connected to the master unit.
Make sure that the master unit is powered by independent source.
- Wire the main remote controller to TBI.6 1-2 on the master unit.
- Wire the electric heater to the master unit.

<FTC: Slave unit>

The hydrobox or PAC-SIF051B-E or master unit is used as a slave unit

- Connect each outdoor unit to a slave unit.
- The main remote controller must NOT be wired to a slave unit.

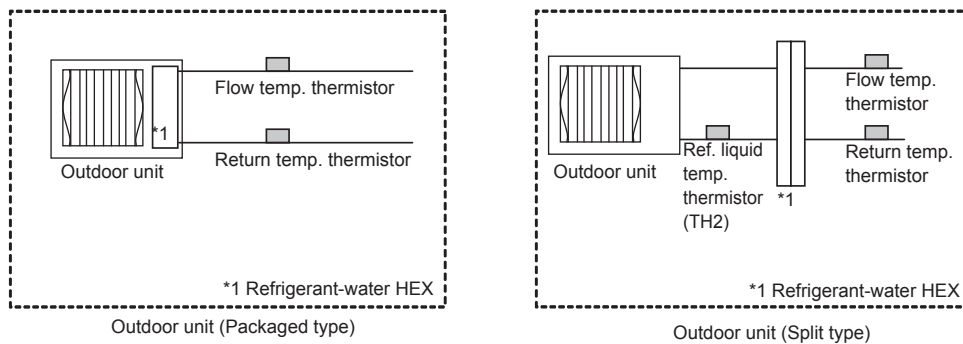


9.2 Pipe work

Following is the system example of two outdoor units being connected in one system.

IMPORTANT NOTE

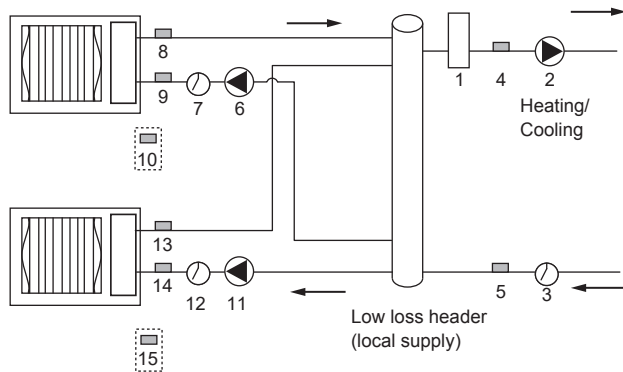
Keep the minimum amount of water required in the space heating circuit according to the number of outdoor units.



<Fig. 9.2.1>

System 1: Heating/Cooling system

- Install a low loss header (local supply).
- Install booster heater toward the local system, relative to the low loss header.



<Fig. 9.2.2>

No.	Component	Wiring		
		Master	Slave 1	Slave 2
1	Booster heater (local supply)	✓		
2	Circulation pump1 (local supply)	✓		
3	Flow switch1 (local supply) *2	✓		
4	Flow temp. thermistor (THW1)	✓		
5	Return temp. thermistor (THW2)	✓		
6	Slave1 circulation pump1 (local supply)		✓	
7	Slave1 flow switch (local supply) *2		✓	
8	Slave1 flow temp. thermistor (THW1)		✓	
9	Slave1 return temp. thermistor (THW2)		✓	
10	Slave1 ref. liquid temp. thermistor (TH2) *1		✓	
11	Slave2 circulation pump1 (local supply)			✓
12	Slave2 flow switch (local supply) *2			✓
13	Slave2 flow temp. thermistor (THW1)			✓
14	Slave2 return temp. thermistor (THW2)			✓
15	Slave2 ref. liquid temp. thermistor (TH2) *1			✓

*1 When the outdoor unit is split type, TH2 needs to be installed. <Fig. 9.2.1>

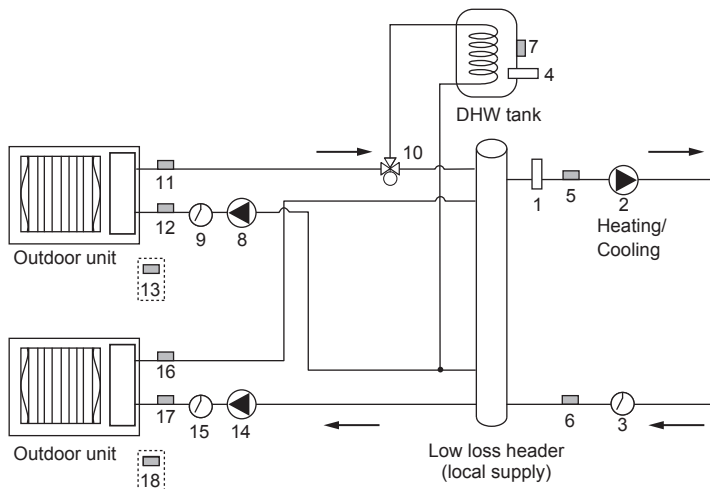
*2 For safety protection, it is recommended to install a flow switch.

en

9. Multiple outdoor units control

System 2: Heating/Cooling & DHW system

- Install DHW tank toward the outdoor unit, relative to the low loss header.
- Wire 3-way valve or 2-way valve 1, 2 to FTC (slave unit).
- LP mode uses assistance of electric heater. Place an immersion heater on the DHW circuit.
- Install a low loss header (local supply).
- Install booster heater toward the local system, relative to the low loss header.



<Fig. 9.2.3>

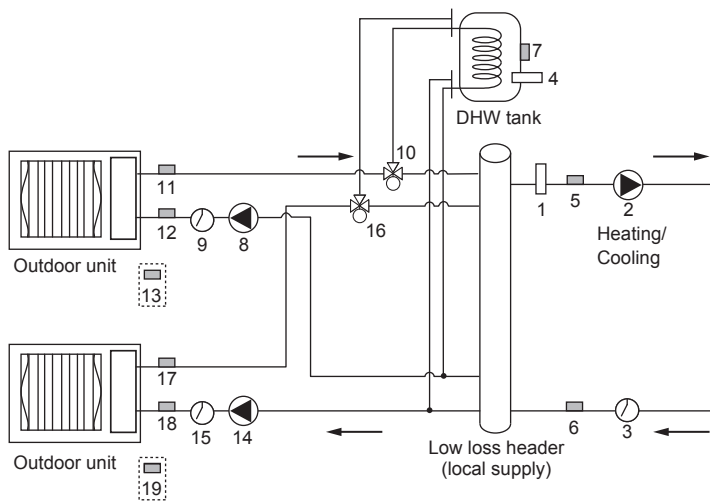
No.	Component	Wiring		
		Master	Slave 1 *4	Slave 2
1	Booster heater (local supply)	✓		
2	Circulation pump1 (local supply)	✓		
3	Flow switch1 (local supply) *2	✓		
4	Immersion heater (local supply)	✓		
5	Flow temp. thermistor (THW1)	✓		
6	Return temp. thermistor (THW2)	✓		
7	Tank water temp. (THW5B)	✓		
8	Slave1 circulation pump1 (field supply)		✓	
9	Slave1 flow switch (local supply) *2		✓	
10	Slave1 3-way valve (local supply) *3		✓	
11	Slave1 flow temp. thermistor (THW1)		✓	
12	Slave1 return temp. thermistor (THW2)		✓	
13	Slave1 ref. liquid temp. thermistor (TH2) *1		✓	
14	Slave2 circulation pump1 (local supply)			✓
15	Slave2 flow switch (local supply) *2			✓
16	Slave2 flow temp. thermistor (THW1)			✓
17	Slave2 return temp. thermistor (THW2)			✓
18	Slave2 ref. liquid temp. thermistor (TH2) *1			✓

*1 When the outdoor unit is split type, TH2 needs to be installed. <Fig. 9.2.1>

*2 For safety protection, it is recommended to install a flow switch.

*3 The use of two 2-way valves can perform the same function as a 3-way valve.

*4 DHW operation requires to use the master unit (or hydro box) as the slave controller.



<Fig. 9.2.4>

No.	Component	Wiring		
		Master	Slave 1 *4	Slave 2 *4
1	Booster heater (local supply)	✓		
2	Circulation pump1 (local supply)	✓		
3	Flow switch1 (local supply) *2	✓		
4	Immersion heater (local supply)	✓		
5	Flow temp. thermistor (THW1)	✓		
6	Return temp. thermistor (THW2)	✓		
7	Tank water temp. (THW5B)	✓		
8	Slave1 circulation pump1 (local supply)		✓	
9	Slave1 flow switch (local supply) *2		✓	
10	Slave1 3-way valve (local supply) *3		✓	
11	Slave1 flow temp. thermistor (THW1)		✓	
12	Slave1 return temp. thermistor (THW2)		✓	
13	Slave1 ref. liquid temp. thermistor (TH2) *1		✓	
14	Slave2 circulation pump1 (local supply)			✓
15	Slave2 flow switch (local supply) *2			✓
16	Slave2 3-way valve (local supply) *3			✓
17	Slave2 flow temp. thermistor (THW1)			✓
18	Slave2 return temp. thermistor (THW2)			✓
19	Slave2 ref. liquid temp. thermistor (TH2) *1			✓

*1 When the outdoor unit is split type, TH2 needs to be installed. <Fig. 9.2.1>

*2 For safety protection, it is recommended to install a flow switch.

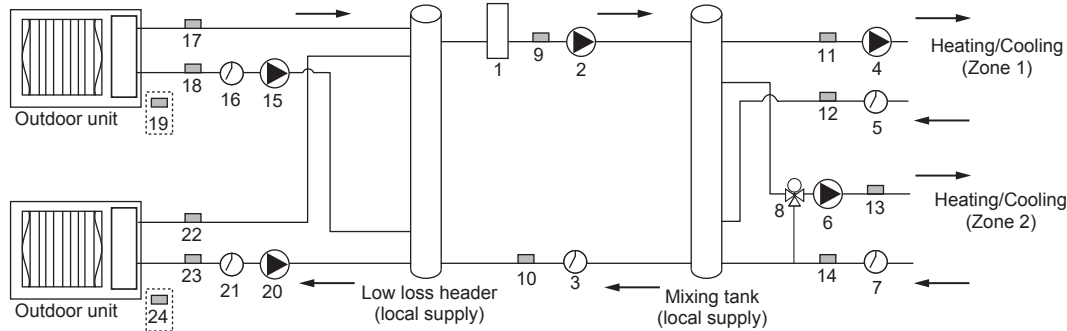
*3 The use of two 2-way valves can perform the same function as a 3-way valve.

*4 DHW operation requires to use the master unit (or hydro box) as the slave controller.

9. Multiple outdoor units control

System 3: 2-zone temperature control

- Install a mixing tank (local supply) for 2-zone temperature control.
- Install a low loss header (local supply).
- Install booster heater toward the local system, relative to the low loss header.
- For details on 2-zone installation, refer to "3.6 Piping diagram for 2-zone temperature control".



<Fig. 9.2.5>

No.	Component	Wiring		
		Master	Slave 1	Slave 2
1	Booster heater (local supply)	✓		
2	Circulation pump1 (local supply)	✓		
3	Flow switch1 (local supply) *2	✓		
4	Circulation pump2 (local supply)	✓		
5	Flow switch2 (local supply) *2	✓		
6	Circulation pump3 (local supply)	✓		
7	Flow switch3 (local supply) *2	✓		
8	Motorized mixing valve (local supply)	✓		
9	Flow temp. thermistor (THW1)	✓		
10	Return temp. thermistor (THW2)	✓		
11	Zone1 flow temp. thermistor (THW6) (option)	✓		
12	Zone1 return temp. thermistor (THW7) (option)	✓		

No.	Component	Wiring		
		Master	Slave 1	Slave 2
13	Zone2 flow temp. thermistor (THW8) (option)	✓		
14	Zone2 return temp. thermistor (THW9) (option)	✓		
15	Slave1 circulation pump1 (local supply)		✓	
16	Slave1 flow switch (local supply) *2		✓	
17	Slave1 flow temp. thermistor (THW1)		✓	
18	Slave1 return temp. thermistor (THW2)		✓	
19	Slave1 ref. liquid temp. thermistor (TH2) *1		✓	
20	Slave2 circulation pump1 (local supply)			✓
21	Slave2 flow switch (local supply) *2			✓
22	Slave2 flow temp. thermistor (THW1)			✓
23	Slave2 return temp. thermistor (THW2)			✓
24	Slave2 ref. liquid temp. thermistor (TH2) *1			✓

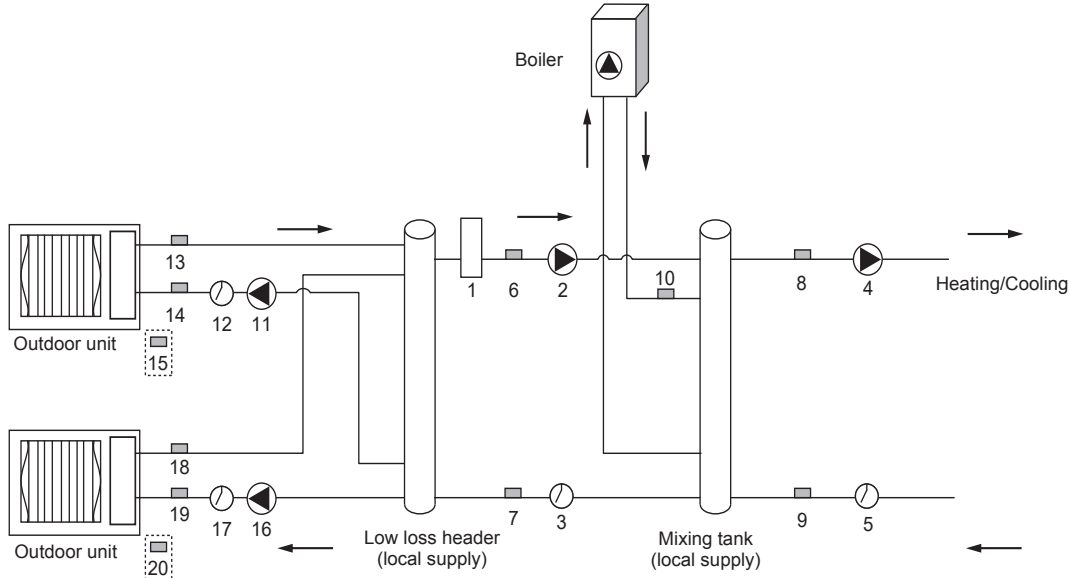
*1 When the outdoor unit is split type, TH2 needs to be installed. <Fig. 9.2.1>

*2 For safety protection, it is recommended to install a flow switch.

9. Multiple outdoor units control

System 4: Heating/Cooling system (with Boiler)

- Install a mixing tank (local supply) for connection of the boiler.
- Install a low loss header (local supply).
- Install booster heater between low loss header and mixing tank.
- For more details, refer to the installation manual of PAC-TH012HT-E.



<Fig. 9.2.6>

No.	Component	Wiring		
		Master	Slave 1	Slave 2
1	Booster heater (local supply)	✓		
2	Circulation pump1 (local supply)	✓		
3	Flow switch1 (local supply) *2	✓		
4	Circulation pump2 (local supply)	✓		
5	Flow switch2 (local supply) *2	✓		
6	Flow temp. thermistor (THW1)	✓		
7	Return temp. thermistor (THW2)	✓		
8	Flow temp. thermistor (THW6) (option)	✓		
9	Return temp. thermistor (THW7) (option)	✓		
10	Boiler flow temp. thermistor (THWB1) (option)	✓		

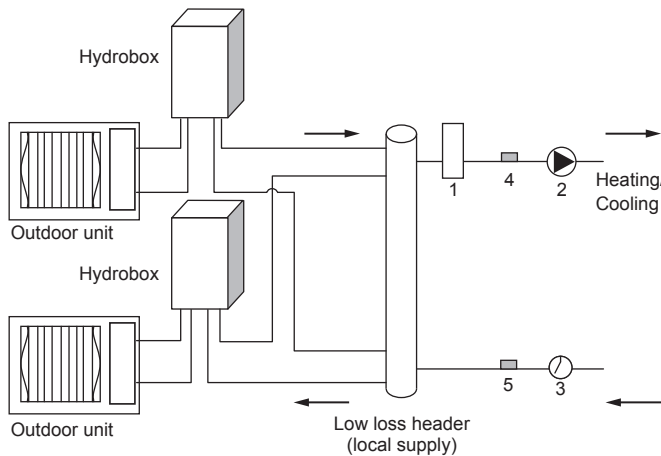
No.	Component	Wiring		
		Master	Slave 1	Slave 2
11	Slave1 circulation pump1 (local supply)		✓	
12	Slave1 flow switch (local supply) *2		✓	
13	Slave1 flow temp. thermistor (THW1)		✓	
14	Slave1 return temp. thermistor (THW2)		✓	
15	Slave1 ref. liquid temp. thermistor (TH2) *1		✓	
16	Slave2 circulation pump1 (local supply)			✓
17	Slave2 flow switch (local supply) *2			✓
18	Slave2 flow temp. thermistor (THW1)			✓
19	Slave2 return temp. thermistor (THW2)			✓
20	Slave2 ref. liquid temp. thermistor (TH2) *1			✓

*1 When the outdoor unit is split type, TH2 needs to be installed. <Fig. 9.2.1>

*2 For safety protection, it is recommended to install a flow switch.

System 5: Heating/Cooling system (with Hydrobox)*1

- Install a low loss header (local supply).
- Install booster heater toward the local system, relative to the low loss header.



<Fig. 9.2.7>

No.	Component	Wiring		
		Master	Slave 1 (Hydrobox)	Slave 2 (Hydrobox)
1	Booster heater(local supply)	✓		
2	Circulation pump1 (local supply)	✓		
3	Flow switch1 (local supply) *2	✓		
4	Flow temp. thermistor (THW1)	✓		
5	Return temp. thermistor (THW2)	✓		

*1 Cooling system is available only with ERS models.

*2 For safety protection, it is recommended to install a flow switch.

9. Multiple outdoor units control

9.3 Electrical connection

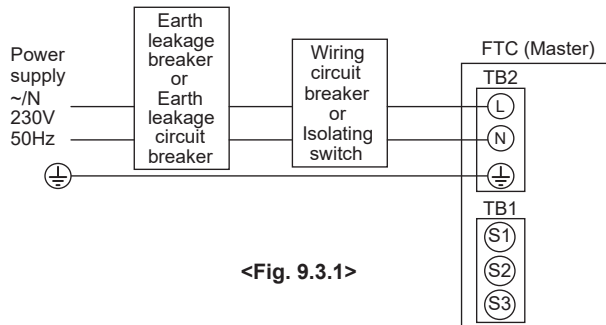
All electrical work should be carried out by a suitably qualified technician. Failure to comply with this could lead to electrocution, fire, and death. It will also invalidate product warranty. All wiring should be according to national wiring regulations.

9.3.1 Master unit

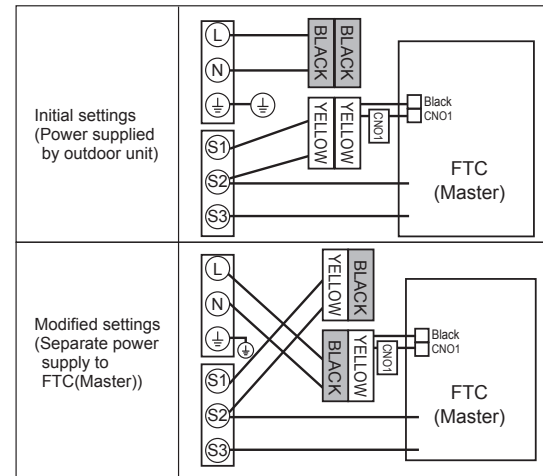
■ FTC (Master)

Outdoor unit must NOT be connected to FTC (Master) unit.

FTC (Master) unit electrical box connector connections changed. (see Fig. 9.3.2.)



<Fig. 9.3.1>



<Fig. 9.3.2>

9.3.2 Slave unit

Connect each outdoor unit to a slave unit.

FTC (Slave) can be powered in two ways.

1. Power cable is run from the outdoor unit to a slave unit.
2. FTC (Slave) has independent power source.

■ FTC (Master) (PAC-IF07*B-E) used as slave

• For wiring as a slave controller, refer to "4.1 Electrical connection". *1

*1 Do not connect the power cable to the booster heater because it does not work in slave controller setting.

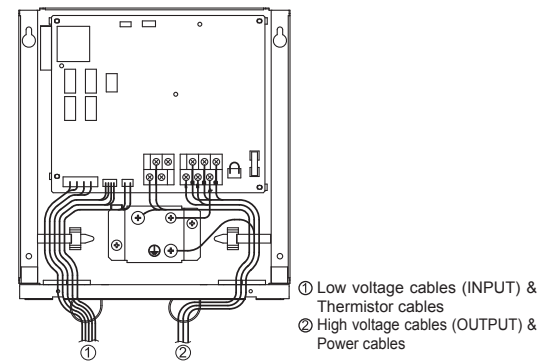
■ FTC (Slave) (PAC-SIF051B-E) <Fig. 9.3.3>

FTC (Slave) can be powered in two ways.

1. Power cable is run from the outdoor unit to FTC (Slave).
2. FTC (Slave) has independent power source.

Note:

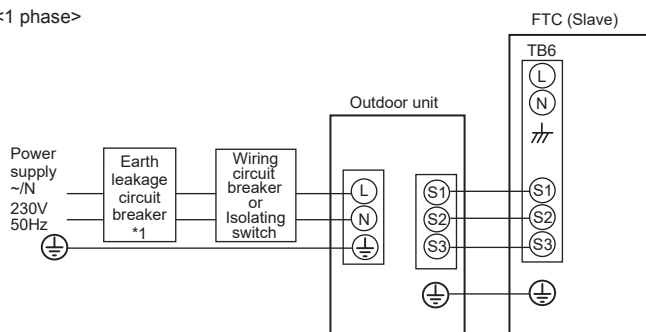
- Do not run the low voltage cables through a slot that the high voltage cables go through.
- Bundle cables by using clamps as shown in the figure to the right.



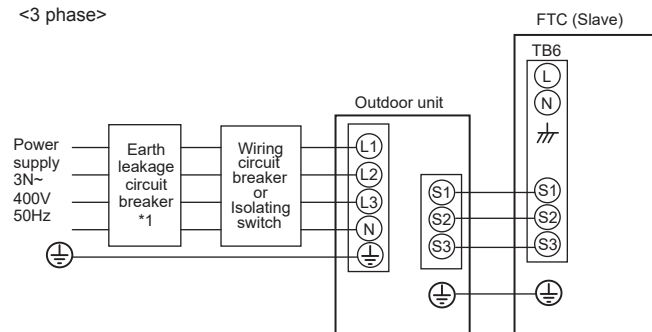
<Fig. 9.3.3>

Option 1: FTC (Slave) powered via outdoor unit

<1 phase>



<3 phase>



<Fig. 9.3.4>

*1. If the installed earth leakage circuit breaker does not have an over-current protection function, install a breaker with that function along the same power line. A breaker with at least 3.0 mm contact separation in each pole shall be provided. Use earth leakage breaker (NV).

The breaker shall be provided to ensure disconnection of all active phase conductors of the supply.

Note: In accordance with IEE regulations the circuit breaker/isolating switch located on the outdoor unit should be installed with lockable devices (health and safety).

Wiring No. Wiring size (mm ²)	FTC (Slave) - Outdoor unit	*2	3 × 1.5 (polar)
	FTC (Slave) - Outdoor unit earth	*2	1 × Min. 1.5
Circuit rating	FTC (Slave) - Outdoor unit S1 - S2	*3	230 V AC
	FTC (Slave) - Outdoor unit S2 - S3	*3	24 V DC

*2. Max. 45 m
If 2.5 mm² used, Max. 50 m
If 2.5 mm² used and S3 separated, Max. 80 m

*3. The values given in the table above are not always measured against the ground value.

Notes: 1. Wiring size must comply with the applicable local and national codes.

2. FTC (Slave)/outdoor unit connecting cords shall not be lighter than polychloroprene sheathed flexible cord. (Design 60245 IEC 57)
FTC (Slave) power supply cords shall not be lighter than polychloroprene sheathed flexible cord. (Design 60227 IEC 53)

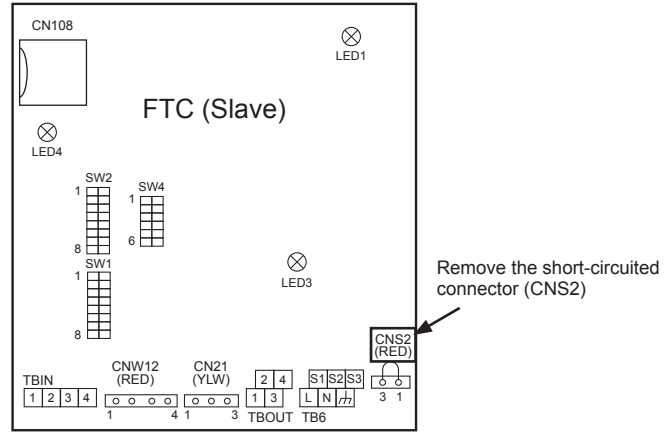
3. Install an earth longer than other cables.

9. Multiple outdoor units control

Option 2: FTC (Slave) powered by independent source

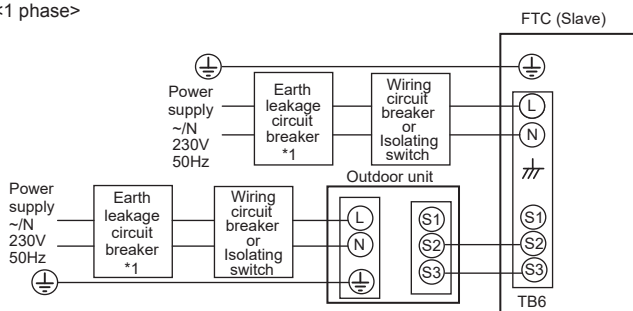
If FTC (Slave) and outdoor units have separate power supplies, the following requirements MUST be carried out:

- Remove the short-circuited connector (CNS2) on FTC (Slave). (see <Fig. 9.3.5>)
- Turn the outdoor unit DIP switch SW8-3 to ON.
- Turn on the outdoor unit BEFORE the FTC (Slave).

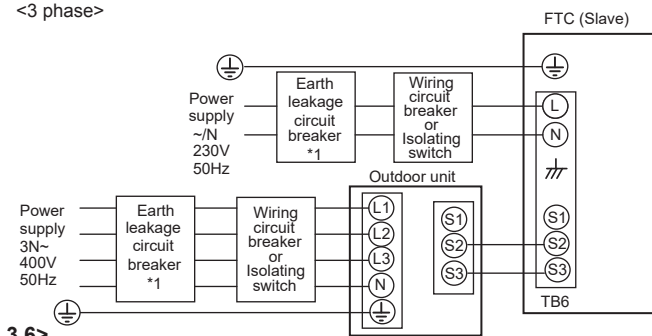


<Fig. 9.3.5>

<1 phase>



<3 phase>



<Fig. 9.3.6>

*1 If the installed earth leakage circuit breaker does not have an over-current protection function, install a breaker with that function along the same power line.

FTC (Slave) power supply		~N 230 V 50 Hz
FTC (Slave) input capacity		
Main switch (Breaker)	*1	16 A
Wiring No. x size (mm ²)	FTC (Slave) power supply	2 × Min. 1.5
	FTC (Slave) power supply earth	1 × Min. 1.5
	FTC (Slave) - Outdoor unit	*2 2 × Min. 0.3
	FTC (Slave) - Outdoor unit earth	—
Circuit rating	FTC (Slave) L - N	*3 230 V AC
	FTC (Slave) - Outdoor unit S1 - S2	*3 —
	FTC (Slave) - Outdoor unit S2 - S3	*3 24 V DC

*1. A breaker with at least 3.0 mm contact separation in each pole shall be provided. Use earth leakage breaker (NV). The breaker shall be provided to ensure disconnection of all active phase conductors of the supply.

*2. Max. 45 m

If 2.5 mm² used, Max. 50 m

If 2.5 mm² used and S3 separated, Max. 80 m

*3. The values given in the table above are not always measured against the ground value.

Notes: 1. Wiring size must comply with the applicable local and national codes.

2. FTC (Slave)/outdoor unit connecting cords shall not be lighter than polychloroprene sheathed flexible cord. (Design 60245 IEC 57)

FTC (Slave) power supply cords shall not be lighter than polychloroprene sheathed flexible cord. (Design 60227 IEC 53)

3. Install an earth longer than other cables.

Hydrobox

• For wiring as a slave controller (hydrobox), refer to "4.4 Electrical Connection" in Hydrobox installation manual.

Notes: 1. Do not connect the power cable to the booster heater because it doesn't work in slave controller setting.

2. Do not connect the main remote controller cable.

en

<Before system set up>

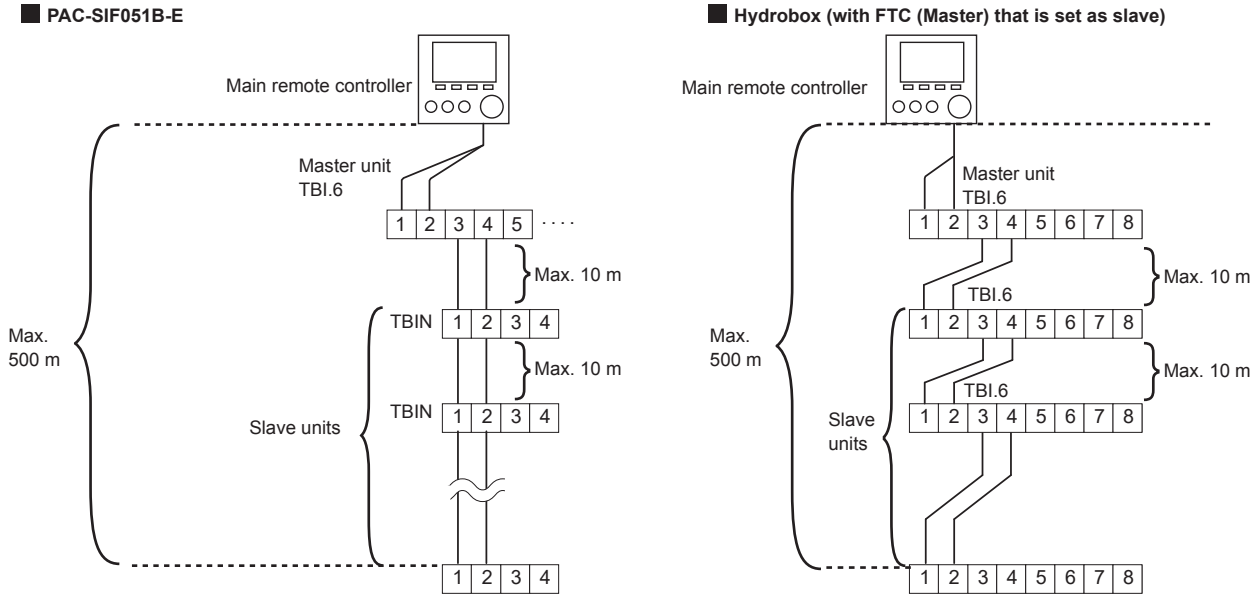
Insert the included SD memory card into the FTC control board. (Refer to section 4.11.)

9. Multiple outdoor units control

9.4 Main remote controller wiring

- (a) Wire the main remote controller to TBI.6 RC terminals on the master unit. The main remote controller must NOT be connected to a slave unit.
 (b) Use the daisy chain wiring method to wire the master unit and slave units by connecting TBI.6 RC terminals. *1

*1 The maximum length between each units wiring is 10 m. The maximum length of total daisy-chain wiring is 500 m.



<Fig. 9.4.1>

Note: Wiring for main remote controller cable and daisy chain cable shall be (5 cm or more) apart from power source wiring so that it is not influenced by electrical noise from power source wiring. (Do NOT insert main remote controller cable and power source wiring in the same conduit.)

9.5. Connecting the thermistor cables

Connect the thermistor for the FTC (Slave) controller.

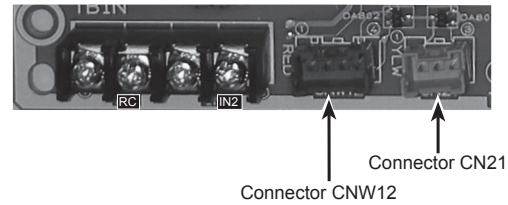
9.5.1. Connecting the refrigerant pipe temp. thermistor (TH2) cable

Connect the TH2 cable to the CN21 connector on FTC (Slave).

For split Outdoor unit : Connect TH2.

For packaged Outdoor unit : It is NOT necessary to connect TH2.

When the TH2 cable is too long, bundle the excess cable outside the FTC (Slave) unit.
 Do not bind the wires in the FTC (Slave) unit.



<Fig. 9.5.1>

<Thermistor position>

Place TH2 on **refrigerant** piping (**liquid** side).

It is recommended to protect the thermistor with heat insulating materials so as not to be affected by ambient temperature.

Note: Be sure to place TH2 where it correctly detects refrigerant piping temp. (liquid side).

Because;

- (1) TH2 is required to detect heating subcool correctly.
- (2) Refrigerant temperature of water-to-refrigerant heat exchanger also needs to be detected for protection purpose.

9.5.2. Connecting the flow water temp. thermistor (THW1) cable and the return water temp. thermistor (THW2) cable

The THW1 and the THW2 cables share a connector, and the connector connects to CNW12 connector on FTC (Slave).

When the THW1 and THW2 cables are too long, bundle the excess cables outside the FTC (Slave) unit. Do not bind the wires in the FTC (Slave) unit.

<Thermistor position>

Place THW1 on **water** piping (water **outlet** side) after booster heater, and THW2 on the water inlet side.

It is recommended to protect the thermistor with heat insulating materials so as not to be affected by ambient temperature.

Note: Be sure to attach THW1 where it correctly detects Flow temp. (water outlet side). Fore more details, see Page 6.

⚠ Caution:

- Do not route the thermistor cables together with power cables.
- The sensor part of the thermistor should be installed where user can not access.

9.6 Dip switch functions

<Outdoor unit>

- Set refrigerant address on each outdoor unit from 1 to 6.

Note: Do NOT use refrigerant address 0 as 0 is used for FTC (Master). The address range is from 1 to 6.

9. Multiple outdoor units control

Split model (SW1-3 to SW1-6)

Dip switch	Refrigerant address number					
	Add. 1	Add. 2	Add. 3	Add. 4	Add. 5	Add. 6
SW1-1	—	—	—	—	—	—
SW1-2	—	—	—	—	—	—
SW1-3	ON	OFF	ON	OFF	ON	OFF
SW1-4	OFF	ON	ON	OFF	OFF	ON
SW1-5	OFF	OFF	OFF	ON	ON	ON
SW1-6	OFF	OFF	OFF	OFF	OFF	OFF

<FTC: Master>

- Set Dip SW4-1 and SW4-2 to ON.
- For more details refer to "5. Dip Switch setting."

<FTC: Slave>

- Set Dip SW4-1 to ON "Active :multiple outdoor unit control".
- Set Dip SW1-7 (Outdoor unit type) on each slave unit according to each connected outdoor unit type.
- Set only Dip-SW1-3 to ON on the slave unit that runs DHW operation.

Packaged model

Refer to outdoor unit installation manual.

Dip switch	Function	OFF	ON	Master	Slave (PAC-SIF051B-E)	Slave *1 (Hydrobox)
SW1	SW1-1	Boiler	WITHOUT Boiler	WITH Boiler	✓	—
	SW1-2	Heat pump maximum outlet water temperature	55°C	60°C	✓	✓
	SW1-3	DHW tank	WITHOUT DHW tank	WITH DHW tank	✓	✓
	SW1-4	Immersion heater	WITHOUT Immersion heater	WITH Immersion heater	✓	—
	SW1-5	Booster heater	WITHOUT Booster heater	WITH Booster heater	✓	—
	SW1-6	Booster heater function	For heating only	For heating and DHW	—	—
	SW1-7	Outdoor unit type	Split type	Packaged type	—	✓
	SW1-8	Wireless remote controller	WITHOUT Wireless remote controller	WITH Wireless remote controller	✓	—
SW2	SW2-1	Room thermostat 1 input (IN1) logic change	Zone1 operation stop at short	Zone1 operation stop at open	✓	—
	SW2-2	Flow switch 1 input (IN2) logic change	Failure detection at short	Failure detection at open	✓	✓
	SW2-3	Booster heater capacity restriction	Inactive	Active	✓	—
	SW2-4	Cooling mode function	Inactive	Active	✓	—
	SW2-5	"Automatic switch to backup heater only operation (When outdoor unit stops by error)"	Inactive	Active	✓	—
	SW2-6	Mixing tank	WITHOUT Mixing tank	WITH Mixing tank	✓*2	—
	SW2-7	2-zone temperature control	Inactive	Active	✓	—
	SW2-8	Flow sensor	WITHOUT Flow sensor	WITH Flow sensor	✓	—
SW3	SW3-1	Room thermostat 2 input (IN6) logic change	Zone2 operation stop at short	Zone2 operation stop at open	✓	—
	SW3-2	Flow switch 2 and 3 input logic change	Failure detection at short	Abnormality detection at open	✓	—
	SW3-3	—	—	—	—	—
	SW3-4	—	—	—	—	—
	SW3-5	Heating mode function	Inactive	Active	✓	—
	SW3-6	2-zone valve ON/OFF control	Inactive	Active	✓	—
	SW3-7	—	—	—	—	—
	SW3-8	—	—	—	—	—
SW4	SW4-1	Multiple unit control	Inactive	Active	ON	ON
	SW4-2	Position of multiple outdoor units control	Slave	Master	ON	OFF
	SW4-3	—	—	—	—	—
	SW4-4	—	—	—	—	—
	SW4-5	Emergency mode (Heater only operation)	Normal	"Emergency mode (Heater only operation) (To be activated only when powered ON)"	✓	—
	SW4-6	Emergency mode (Boiler operation)	Normal	"Emergency mode (Boiler operation) (To be activated only when powered ON)"	✓	—
SW5	SW5-1	—	—	—	—	—
	SW5-2	Advanced auto adaptation	Inactive	Active	✓	—
	SW5-3	—	—	—	—	—
	SW5-4	—	—	—	—	—
	SW5-5	—	—	—	—	—
	SW5-6	—	—	—	—	—
	SW5-7	—	—	—	—	—
	SW5-8	—	—	—	—	—
SW6	SW6-1	—	—	—	—	—
	SW6-2	—	—	—	—	—
	SW6-3	Pressure sensor	Inactive	Active	—	✓
	SW6-4	Analog output signal (0-10 V)	Inactive	Active	✓	—
	SW6-5	—	—	—	—	—

*1 When FTC (Master) in Hydrobox is set as Slave.

*2 Set Dip SW2-6 to ON in "System 3 (2 zone)" and in "System 4 (with Boiler)" mentioned in "9.2 Pipe work."

✓ : Setting is required

— : NO setting (function is not available)

9. Multiple outdoor units control

9.7 Connecting inputs/outputs

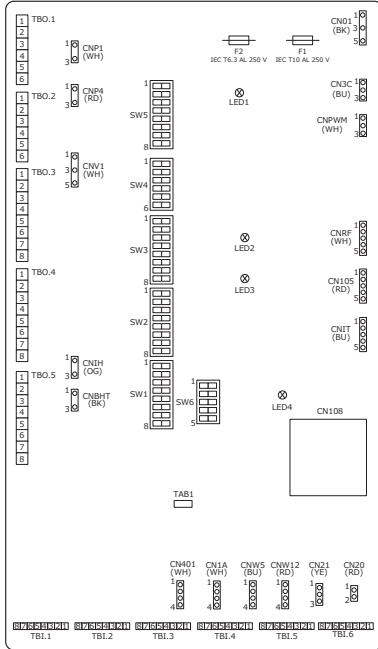
When the wires are wired to adjacent terminals use ring terminals and insulate the wires.

<Electrical connection for master controller>

- Refer to "4.5 Connecting inputs/outputs"

<Electrical connection for slave controller>

■ PAC-IF07*B-E



<Fig. 9.7.1>

When the wires are wired to adjacent terminals use ring terminals and insulate the wires.

Signal inputs

Name	Terminal block	Connector	Item	OFF (Open)	OFF (Short)
RC	TBI.6 1-4	—	Communication cable between indoor units	—	—
IN2	TBI.1 5-6	—	Flow switch 1 input	Refer to SW2-2 in <9.6 Dip Switch Functions>.	

Wiring specification and local supply parts

Item	Name	Model and specifications
Signal input function	Signal input wire	Use sheathed vinyl coated cord or cable. Max. 10 m Wire type: CV, CVS or equivalent Wire size: Stranded wire 0.13 mm ² to 1.25 mm ² Solid wire: ø0.4 mm to ø1.2 mm
	Switch	Non-voltage "a" contact signals Remote switch: minimum applicable load 12V DC, 1mA

Thermistor inputs

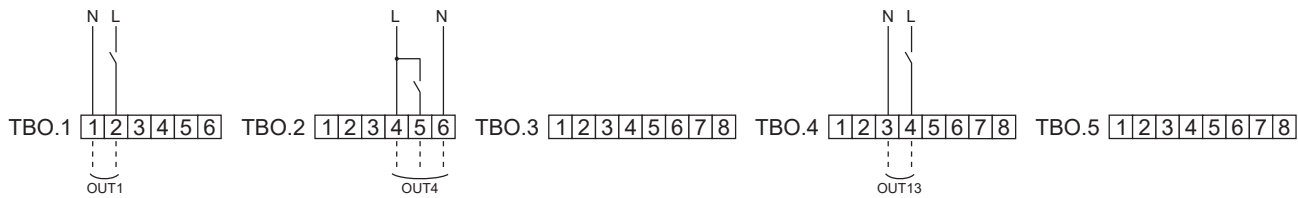
Name	Terminal block	Connector	Item	Optional part model
TH2	—	CN21	Thermistor (Ref. liquid temp.)	—
THW1	—	CNW12 1-2	Thermistor (Flow water temp.)	—
THW2	—	CNW12 3-4	Thermistor (Return water temp.)	—

Note:

Do not splice the wiring to extend or shorten it, or this could affect correct monitoring of each temperature.
If the wiring is too long, bundle it with a strap to adjust the length.

Outputs

Name	Terminal block	Connector	Item	OFF	ON	Signal/Max. current
OUT1	TBO.1 1-2	CNP1	Water circulation pump 1 output	OFF	ON	230V AC 1.0 A Max.
OUT4	TBO.2 4-6	CNV1	3-way valve (2-way valve 1) output	Heating	DHW	230V AC 0.1 A Max.
OUT13	TBO.4 3-4	—	2-way valve 2 output	DHW	Heating	230V AC 0.1 A Max.

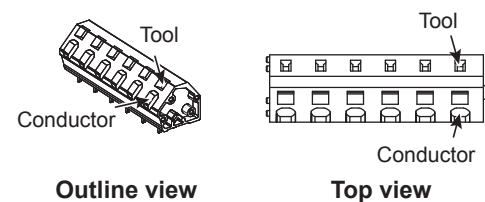


<Fig. 9.7.2>

Wiring specification and local supply parts

Item	Name	Model and specifications
External output function	Outputs wire	Use sheathed vinyl coated cord or cable. Max. 30 m Wire type: CV, CVS or equivalent Wire size: Stranded wire 0.25 mm ² to 1.5 mm ² Solid wire: 0.25 mm ² to 1.5 mm ²

How to use TBO.1 to 5



Connect them using either way as shown above.

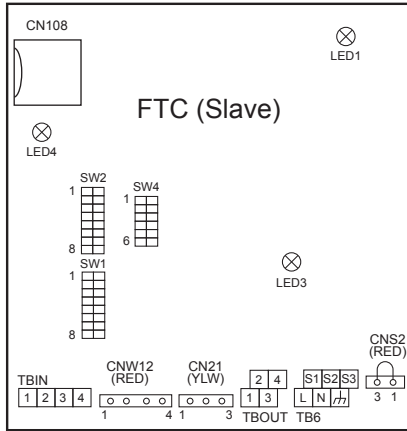
<Fig. 9.7.3>

Note:

- Do not connect multiple water circulation pumps directly to each output (OUT1). In such a case, connect them via (a) relay(s).
- Stranded wire should be processed with insulation-covered bar terminal (DIN46228-4 standard compatible type).

9. Multiple outdoor units control

■ PAC-SIF051B-E



<Fig. 9.7.4>

Signal inputs

Name	Terminal block	Connector	Item	OFF (Open)	OFF (Short)
RC	TBIN 1-2	—	Communication cable between indoor units	—	—
IN2	TBIN 3-4	—	Flow switch input	Refer to SW2-2 in <9.6 Dip Switch Functions>.	

Wiring specification and local supply parts

Item	Name	Model and specifications
Signal input function	Signal input wire	Use sheathed vinyl coated cord or cable. Max. 10 m Wire type: CV, CVS or equivalent Wire size: Stranded wire 0.5 mm ² to 1.25 mm ² Solid wire: ø0.65 mm to ø1.2 mm
	Switch	Non-voltage "a" contact signals Remote switch: minimum applicable load 12 V DC, 1 mA

Thermistor inputs

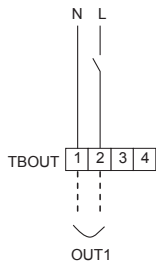
Name	Terminal block	Connector	Item	Optional part model
TH2	—	CN21	Thermistor (Ref. liquid temp.)	—
THW1	—	CNW12 1-2	Thermistor (Flow water temp.)	—
THW2	—	CNW12 3-4	Thermistor (Return water temp.)	—

Note:

Do not splice the wiring to extend or shorten it, or this could affect correct monitoring of each temperature.
If the wiring is too long, bundle it with a strap to adjust the length.

Output

Name	Terminal block	Connector	Item	OFF	ON	Signal/Max. current
OUT1	TBOUT 1-2	—	Water circulation pump 1 output	OFF	ON	230 V AC 1.0 A Max.



<Fig. 9.7.5>

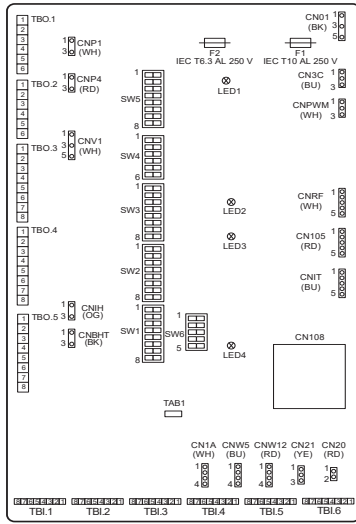
Wiring specification and local supply parts

Item	Name	Model and specifications
External output function	Outputs wire	Use sheathed vinyl coated cord or cable. Max. 30 m Wire type: CV, CVS or equivalent Wire size: Stranded wire 0.5 mm ² to 1.25 mm ² Solid wire: ø0.65 mm to ø1.2 mm

Note: Do not connect multiple water circulation pumps directly to each output (OUT1). In such a case, connect them via (a) relay(s).

9. Multiple outdoor units control

Hydrobox



<Fig. 9.7.6>

When the wires are wired to adjacent terminals use ring terminals and insulate the wires.

Signal inputs

Name	Terminal block	Connector	Item	OFF (Open)	OFF (Short)
RC	TBI.6 1-2	CN22	Communication cable between indoor units	—	—
IN2	TBI.1 5-6	—	Flow switch input	Refer to SW2-2 in <9.6 Dip Switch Functions>.	

Wiring specification and local supply parts

Item	Name	Model and specifications
Signal input function	Signal input wire	Use sheathed vinyl coated cord or cable. Max. 10 m Wire type: CV, CVS or equivalent Wire size: Stranded wire 0.5 mm ² to 1.25 mm ² Solid wire: ϕ 0.65 mm to ϕ 1.2 mm
	Switch	Non-voltage "a" contact signals Remote switch: minimum applicable load 12 V DC, 1 mA

Thermistor inputs

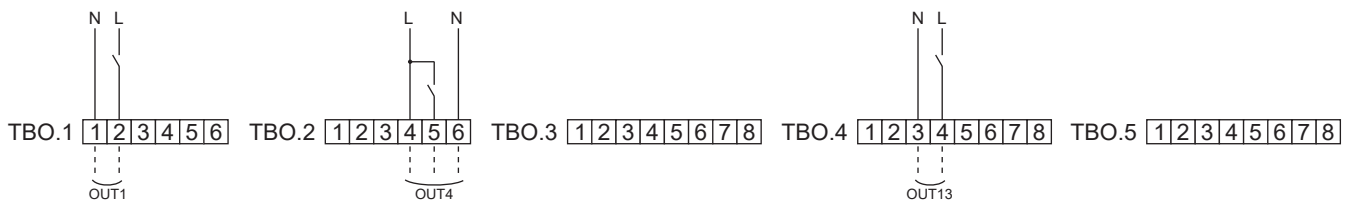
Name	Terminal block	Connector	Item	Optional part model
TH2	—	CN21	Thermistor (Ref. liquid temp.)	—
THW1	—	CNW12 1-2	Thermistor (Flow water temp.)	—
THW2	—	CNW12 3-4	Thermistor (Return water temp.)	—

Note:

Do not splice the wiring to extend or shorten it, or this could affect correct monitoring of each temperature.
If the wiring is too long, bundle it with a strap to adjust the length.

Outputs

Name	Terminal block	Connector	Item	OFF	ON	Signal/Max. current
OUT1	TBO.1 1-2	CNP1	Water circulation pump 1 output	OFF	ON	230 V AC 1.0 A Max.
OUT4	TBO.2 4-6	CNV1	3-way valve (2-way valve 1) output	Heating	DHW	230 V AC 0.1 A Max.
OUT13	TBO.4 3-4	—	2-way valve 2 output	DHW	Heating	230 V AC 0.1 A Max.



<Fig. 9.7.7>

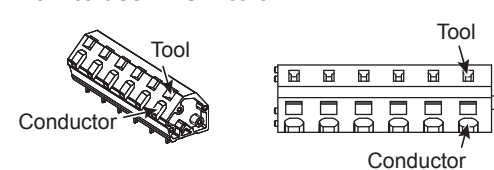
Wiring specification and local supply parts

Item	Name	Model and specifications
External output function	Outputs wire	Use sheathed vinyl coated cord or cable. Max. 30 m Wire type: CV, CVS or equivalent Wire size: Stranded wire 0.25 mm ² to 1.5 mm ² Solid wire: 0.25 mm ² to 1.5 mm ²

Note:

- Do not connect multiple water circulation pumps directly to each output (OUT1). In such a case, connect them via (a) relay(s).
- Do not connect water circulation pumps to both TBO.1 1-2 and CNP1 at the same time.
- Stranded wire should be processed with insulation-covered bar terminal (DIN46228-4 standard compatible type).

How to use TBO.1 to 5



Outline view

Top view

Connect them using either way as shown above.

<Fig. 9.7.8>

en

9. Multiple outdoor units control

■ Basic Troubleshooting for multiple outdoor units control

No.	Fault symptom	Possible cause	Explanation - Solution
1	Main remote controller display is blank.	<ol style="list-style-type: none"> There is no power supply to main remote controller. Power is supplied to the main remote controller, however, the display on the main remote controller does not appear. 	<ol style="list-style-type: none"> Check LED2 on the master controller. (See <Figure 4.5.1>.) <ol style="list-style-type: none"> When LED2 is lit. Check for damage or contact failure of the main remote controller wiring. When LED2 is blinking. Refer to No. 4 below. When LED2 is not lit. Refer to No. 3 below. Check the following: <ul style="list-style-type: none"> Disconnection between the main remote controller cable and the master controller. Failure of the main remote controller if "Please Wait" is not displayed. Refer to No. 2 below if "Please Wait" is displayed.
2	"Please Wait" remains displayed on the main remote controller.	<ol style="list-style-type: none"> "Please Wait" is displayed for up to 6 minutes. Communication failure between the main remote controller and master/slave controller. Communication failure between slave controller and outdoor unit. 	<ol style="list-style-type: none"> Normal operation. 3. Main remote controller start up checks/procedure. <ol style="list-style-type: none"> If "0%" or "50-99%" is displayed below "Please Wait" there is a communication error between the main remote controller and the master/slave controller. <ul style="list-style-type: none"> Check wiring connections on the main remote controller. Replace the main remote controller or master/slave controller. If "1-49%" is displayed there is a communication error between the outdoor unit's control board and slave controller. <ul style="list-style-type: none"> Check the wiring connections on the outdoor unit control board and the slave controller. (Ensure S1 and S2 are not cross-wired and S3 is securely wired with no damage. (See section 4.5.) Replace the outdoor unit's control board and/or the slave controller.
3	LED2 on master controller is off. (See <Figure 4.5.1>.)	<p>When LED1 on master controller is also off. (See <Figure 4.5.1>.)</p> <ol style="list-style-type: none"> Master controller is not supplied with 220 to 240V AC. There are problems in the method of connecting the connectors. Master controller failure 	<ol style="list-style-type: none"> Check the voltage across the L and N terminals on the indoor power supply terminal block. (See section 4.5.) <ul style="list-style-type: none"> When the voltage is not 220 to 240V AC, check for faulty wiring to power supply. When the voltage is 220 to 240V AC, go to 2. below. Check for faulty wiring between the connectors. <ul style="list-style-type: none"> When the connectors are wired incorrectly re-wire them correctly referring to below. (See section 4.5 and a wiring diagram on the control and electrical box cover.) <div data-bbox="895 1280 1201 1482" data-label="Diagram"> </div> <ol style="list-style-type: none"> If no problem found with the wiring, go to 3. below. 3. Check the master controller. <ul style="list-style-type: none"> Check the fuse on the master controller. Check for faulty wiring. Check Dip SW4-2 is ON. If no problem found with the wiring, the master controller is faulty.
4	LED2 on FTC is blinking. (See Figure <4.5.1>.)	<p>When LED1 is also blinking on master controller.</p> <p>When LED1 on master controller is lit.</p> <ol style="list-style-type: none"> Faulty wiring in main remote controller Multiple indoor units have been wired to a single outdoor unit. Short-circuited wiring in main remote controller Main remote controller failure Dip SW setting failure 	<p>Check for faulty wiring between master controllers.</p> <ol style="list-style-type: none"> Check for faulty wiring in main remote controller. The number of indoor units that can be wired to a single outdoor unit is one. Additional indoor units must be wired individually to a single outdoor unit. 3. Remove main remote controller wires and check LED2 on master controller. (See Figure 4.5.1.) <ul style="list-style-type: none"> If LED2 is blinking check for short circuits in the main remote controller wiring If LED2 is lit, wire the main remote controller again and: <ul style="list-style-type: none"> - if LED2 is blinking, the main remote controller is faulty; - if LED2 is lit, faulty wiring of the main remote controller has been corrected. 4. Check Dip SW 4-2 on the slave controller is OFF.

For other details, refer to "8. Troubleshooting".

10. Supplementary information

10.1 Refrigerant collecting (pumpdown) for split model systems only

Refer to "Refrigerant collection" in the outdoor unit installation manual or service manual.

10.2 Back-up operation of boiler

Heating operation is backed up by boiler.

For more details, refer to the installation manual of PAC-TH012HT-E.

<Installation & System set up>

1. Set Dip-SW 1-1 to ON "With boiler" and SW2-6 to ON "With Mixing tank".
2. Install the thermistors THWB1 (Flow temp.) *1 on the boiler circuit.
3. Connect the output wire (OUT10: Boiler operation) to the signal input (room thermostat input) on the boiler. *2
4. Install one of the following room temp. thermostats. *3

- Wireless remote controller (option)
- Room temp. thermostat (local supply)
- Main remote controller (remote position)

*1 The boiler temp. thermistor is an optional part.

*2 OUT10 has no voltage across it.

*3 Boiler heating is controlled on/off by the room temp. thermostat.

<Remote controller settings>

1. Go to Service menu > Heat source setting and choose "Boiler" or "Hybrid". *4
2. Go to Service menu > Operation settings > Boiler settings to make detailed settings for "Hybrid" above .

*4 The "Hybrid" automatically switches heat sources between Heat pump (and Electric heater) and boiler.

■ Product fiche of temperature control

- (a) Supplier's name: MITSUBISHI ELECTRIC CORPORATION
- (b) Supplier's model identifier: PAR-WT50R-E and PAR-WR51R-E
- (c) The class of the temperature control: VI
- (d) The contribution of the temperature control to seasonal space heating energy efficiency: 4%

Local application factors

- * This FTC is designed to connect Mr.Slim/ Ecodan inverter outdoor unit of MITSUBISHI ELECTRIC to local systems. Please check the following when designing the local system.
- * MITSUBISHI ELECTRIC does not take any responsibility for the local system design.

Heat exchanger

(1) Withstanding pressure

Designed pressure of outdoor unit is 4.15 MPa. Following must be satisfied for burst pressure of connecting application.
Burst pressure: More than 12.45 MPa (3 times more than designed pressure)

(2) Performance

Secure the heat exchanger capacity which meets the following conditions. If the conditions are not met, it may result in malfunction caused by the protection operation or the outdoor unit may be turned off due to the operation of protection system.

- In case of hot water supply, condense temperature is less than 58°C in max. frequency operation with the outside temperature 7°C D.B./6°C W.B.

(3) Contamination maintenance

1. Wash the inside of heat exchanger to keep it clean. Be sure to RINSE not to leave flux. Do not use chlorine detergent when washing.
2. Be sure that the amount of contamination per unit cubic content of heat transfer pipe is less than the following amount.

Example) In case of $\phi 9.52$ mm

Residual water: 0.6 mg/m, Residual oil: 0.5 mg/m, Solid foreign object: 1.8 mg/m

Thermistor position

Refer to 4.4.

Notes

- Install the hydraulic filter at the water inlet pipework.
- Inlet water temperature of heat exchanger should be within the range 5 °C - 55 °C.
- The water in both primary and sanitary circuit should be clean and with pH value of 6.5-8.0
- The followings are the maximum values;
Calcium: 100 mg/L, Ca hardness: 250 mg/L
Chloride: 100 mg/L, Copper: 0.3 mg/L
- Other constituents should be to European Directive 98/83 EC standards.
- Refrigerant pipe diameter from outdoor unit to refrigerant-water HEX (Only for SPLIT type)
Use the pipe with same diameter size as the refrigerant pipe connection diameter of outdoor unit. (Refer to outdoor unit installation manual.)
- Ensure that there is sufficient anti-freeze chemical in the water circuit. It is recommended to use 7 : 4 anti-freeze to water ratio.
- The water velocity in pipes should be kept within certain limits of material to avoid erosion, corrosion and excessive noise generation.
Be aware, and take care of , that local velocities in small pipes, bends and similar obstructions can exceed the values above.
e.g.) Copper: 1.5 m/s

⚠ Warning:

- **Always use water that meets the above quality requirements. Using water that does not meet these standards may result in damage to the system pipework and heating components.**
- **Never use anything other than water as a medium. It may cause a fire or an explosion.**
- **Do not use heated water that is produced by the air to water heat pump directly for drinking or cooking. There is a risk to damage your health. There is also a risk that installing the water heat exchanger may corrode if the necessary water quality for air to water heat pump system cannot be maintained. If you wish to use the heated water from the heated pump for these purposes, take measure such as to the second heat exchanger within the water piping system.**

Additional Requirements for using R32 Refrigerant

1. Important Notice (Fire safety)

R32 is flammable refrigerant, and the fire safety warranty for the whole system (including outdoor unit) must be done by your side.
Conformity of regulations ((e.g. IEC 60335) and laws must be confirmed on the system by your side.

2. Pressure sensor (Outdoor unit : SUZ-SWM**)

Pressure sensor (option) is necessary for SUZ-SWM outdoor unit. Refer to the manual of PAC-PS01-E for details.

3. Flow sensor (Outdoor unit : PUZ-(H)WM**)

Flow sensor (option) is necessary for PUZ-(H)WM outdoor unit. Refer to the manual of PAC-FS01-E for details.

4. Pressure relief valve (Outdoor unit : PUZ-(H)WM**)

Do not attach the pressure relief valve to the heating (cooling) circuit on PUZ-(H)WM outdoor unit.

EC DECLARATION OF CONFORMITY
EG-KONFORMITÄTSERKLÄRUNG
DECLARATION DE CONFORMITÉ CE
EG-CONFORMITEITSVERKLARING
DECLARACIÓN DE CONFORMIDAD CE
DICHIARAZIONE DI CONFORMITÀ CE
ΔΗΛΩΣΗ ΠΙΣΤΟΤΗΤΑΣ ΕΚ

DECLARAÇÃO DE CONFORMIDADE CE
EU-OVERENSSTEMMELSESERKLÆRING
EG-DEKLARATION OM ÖVERENSSTÄMMELSE
EC UYGUNLUK BEYANI
ДЕКЛАРАЦИЯ СООТВЕТСТВИЯ НОРМАМ ЕС
ДЕКЛАРАЦІЯ ВІДПОВІДНОСТІ НОРМАМ ЄС
ЕС ДЕКЛАРАЦІЯ ЗА СЪОТВЕТСТВИЕ

DEKLARACJA ZGODNOŚCI WE
CE-ERKLÆRING OM SAMSVAR
EY-VAATIMUSTENMUKAISUUSVAKUUTUS
ES PROHLÁŠENÍ O SHODĚ
VYHLÁSENIE O ZHODE ES
EK MEGFELELŐSÉGI NYILATKOZAT
IZJAVA O SKLADNOSTI ES

DECLARAȚIE DE CONFORMITATE CE
EU VASTAVUSDEKLARATSIOON
EK ATBILSTĪBAS DEKLARĀCIJA
EB ATITIKTIES DEKLARACIJA
EC IZJAVA O SUKLADNOSTI
EZ IZJAVA O USAGLAŠENOSTI

MITSUBISHI ELECTRIC AIR CONDITIONING SYSTEMS EUROPE LTD.
NETTLEHILL ROAD, HOUSTOUN INDUSTRIAL ESTATE, LIVINGSTON, EH54 5EQ, SCOTLAND, UNITED KINGDOM

hereby declares under its sole responsibility that the heating system components described below for use in residential, commercial and light-industrial environments:
erklärt hiermit auf seine alleinige Verantwortung, dass die unten beschriebenen Zubehörteile für das Heizungs-System zur Benutzung im häuslichen, kommerziellen und leicht-industriellen Umfeld:
déclare par la présente et sous son entière responsabilité que les composants du système de chauffage décrits ci-dessous pour l'utilisation dans des environnements résidentiels, commerciaux et d'industrie légère :
verklaart hierbij als enige verantwoordelijke dat de componenten van het verwarmingsstroom die hieronder worden beschreven, bedoeld zijn voor gebruik in woonomgevingen en in commerciële en licht industriële omgevingen:
declara por la presente bajo su responsabilidad exclusiva que los componentes del sistema de calefacción descritos a continuación para su uso en zonas residenciales, comerciales y para la industria ligera:
con la presente dichiara, sotto la sua esclusiva responsabilità, che i componenti dell'impianto di riscaldamento descritto di seguito, destinato all'uso in ambienti residenziali, commerciali e industriali:
διὰ τοῦ παρόντος δηλώνει υπό αποκλειστική ευθύνη της ότι τα εξαρτήματα του συστήματος θέρμανσης που περιγράφονται παρακάτω για χρήση σε κατοικημένες, εμπορικές και ελαφριές βιομηχανικές περιοχές.
através da presente declara sob sua única responsabilidade que os componentes do sistema de aquecimento abaixo descritos para uso residencial, comercial e de indústria ligeira:
erklærer hermed under eneansvar, at de herunder beskrevne komponenter til opvarmning til brug i privat boligbyggeri, erhvervsområder og inden for let industri:
intyggar härmed att uppvärmningssystemkomponenterna som beskrivs nedan är för användning i bostäder, kommersiella miljöer och lätt industri:
asağıda anlatılan isimli sistemi bileşenlerinin konularında, ticari ve hafif sanayi ortamlarında kullanıma yönelik olduğunu tamamen kendi sorumluluğunda beyan eder:
настоящим заявляет и берет на себя исключительную ответственность за то, что кондиционеры и тепловые насосы, описанные ниже и предназначенные для эксплуатации в жилых помещениях, торговых залах и на предприятиях легкой промышленности:
заявляє виключно під власну відповідальність, що компоненти системи опалення, описані нижче, призначені для використання в побутовому, комерційному та наближеному до промислового середовищах.
с настоящото декларира на своя отговорност, че описаните по-долу компоненти за отоплителна система са годни за експлоатация в жилищна, търговска и лекопромишлена среда:
niniejszym oświadczam na swoją wyłączną odpowiedzialność, że klimatyzatory i pompy ciepła opisane poniżej, są przeznaczone do zastosowań w środowisku mieszkalnym, handlowym i lekkim przemysłowym:
erklærer hermed som sitt ansvar, ene og alene, at komponentene i varmesystemet som beskrives nedenfor og som er beregnet for bruk i bolig-, forretnings- og lettindustriområder:
vakuumtaa täten asiasta yksin vastuussa, että alla kuvatut lämmitysjärjestelmän osat, jotka on tarkoitettu käytettäväksi asuin-, toimisto- ja kevyen teollisuuden ympäristöissä:
тімто на власній відповідності прохає, що нижче описані кліматизаційні одиниці та теплові насоси призначені для використання в побутових, комерційних та промислових умовах.
týmto vyhlásuje na vlastnú zodpovednosť, že komponenty vykurovacieho systému opísané nižšie pre použitie v obytných, komerčných a ľahkých priemyselných oblastiach:
ezennel kizárólagos felelősséggel kijelenti, hogy az alábbiakban leírt, lakó-, kereskedelmi és könnyűipari környezetben használható fűtőrendszer alkatrészei:
s tem izrecno izjavljamo, da so spodaj opisane komponente ogrevalnega sistema za uporabo v stanovanjskih, poslovnih in lahkoindustrijskih okoljih:
Prin prezentul document, compania declară pe propria răspundere că piesele sistemului de încălzire descrie mai jos sunt potrivite pentru utilizarea în medii rezidențiale, comerciale și ușor industriale:
kinnitab oma ainuvastutusele, et allpool kirjeldatud küttesüsteemi komponendid on mõeldud kasutamiseks elu-, kaubandus- ja kergetööstuskeskkonnas:
ar so piinība atbild par to, ka tālāk aprakstītie apsildes sistēmas komponenti, kas izmantojami dzīvojamās, komerciālās un vieglās industriālās vidēs:
prisiimdamas visā atsakomybę pareiškia, kad žemiau aprašyti šildymo sistemos komponentai skirti naudoti gyvenamojoje, komercinėje ir lengvosios pramonės aplinkose:
ovime izjavljuje pod svojom isključivom odgovornošću da dolje opisane komponente sustava za grijanje za upotrebu u stambenim, komercijalnim i lakooindustrijskim okruženjima:
ovim izjavljujemo pod svojom isključivom odgovornošću da su opisane komponente sistema grejanja za upotrebu u stambenim, poslovnim i lakim industrijskim okruženjima:

MITSUBISHI ELECTRIC, PAC-IF071B-E, PAC-IF072B-E, PAC-IF073B-E, PAC-SIF051B-E

Note: Its serial number is on the nameplate of the product.
Hinweis: Die Seriennummer befindet sich auf dem Kennschild des Produkts.
Remarque : Le numéro de série de l'appareil se trouve sur la plaque du produit.
Opmerking: het serienummer staat op het naamplaatje van het product.
Nota: El número de serie se encuentra en la placa que contiene el nombre del producto.
Nota: il numero di serie si trova sulla targhetta del prodotto.
Σημείωση: Ο σειριακός του αριθμός βρίσκεται στην πινακίδα ονόματος του προϊόντος.
Nota: o número de série encontra-se na placa que contém o nome do produto.
Bemærk: Seriennummeret står på produktets fabriksskilt.
Obs: Serienumret finns på produktens namnplåt.
Not: Seri numarası ürünün isim plakasında yer alır.
Примечание: серийный номер указан на паспортной табличке изделия.
Примітка: Серійний номер вказано на паспортній табличці виробу.
Забелужка: Серійний му номер е на табелката на продукта.

Uwaga: Numer seryjny znajduje się na tabliczce znamionowej produktu.
Merk: Seriennummeret befinnet seg på navneplaten til produktet.
Huomautus: Sarjanumero on merkitty laitteen arvokilpeen.
Poznámka: Příslušné sériové číslo se nachází na štítku produktu.
Poznámka: Výrobné číslo sa nachádza na typovom štítku výrobku.
Megjegyzés: A sorozatszám a termék adattábláján található.
Opomba: serijska številka je zapisana na tipski ploščici enote.
Notă: Numărul de serie este specificat pe plăcuța indicatoare a produsului.
Märkus: Seerianumber asub toote andmesilidil.
Piezīme: Sērijas numurs ir norādīts uz ierīces datu plāksnītēs.
Pastaba: Serijos numeris nurodytas gaminio vardinį duomenų lentelėje.
Napomena: serijski broj nalazi se na natpisnoj pločici proizvoda.
Napomena: Serijski broj nalazi se na nazivnoj pločici proizvoda.

Directives
Richtlijnen
Directives
Richtlijnen
Directivas
Direttive
Οδηγίες

Directivas
Direktiver
Direktiv
Direktifler
Директиви
Директиви
Директиви

Dyrektywy
Direktiver
Direktiivit
Směrnice
Smernice
Írányelvek
Direktive

Directive
Direktiivid
Direktīvas
Direktīvos
Direktive
Direktive

2014/35/EU: Low Voltage
2006/42/EC: Machinery
2014/30/EU: Electromagnetic Compatibility
2009/125/EC: Energy-related Products Directive and Regulation (EU) No 813/2013
2011/65/EU, (EU) 2015/863 and (EU) 2017/2102: RoHS Directive

Issued
UNITED KINGDOM

1 Sep. 2019

Atsushi EDAYOSHI
Manager, Quality Assurance Department

en

Please be sure to put the contact address/telephone number on
this manual before handing it to the customer.



mitsubishi electric corporation

HEAD OFFICE: TOKYO BUILDING, 2-7-3, MARUNOUCHI, CHIYODA-KU, TOKYO 100-8310, JAPAN