



<ORIGINAL>  
**CITY MULTI**

Air-Conditioners For Building Application Inverter Y-Series

**OUTDOOR UNIT**  
**PUHY-P-YNW-A(-BS)**  
**PUHY-EP-YNW-A(-BS)**

**CE**

**For use with R410A**

---

**INSTALLATION MANUAL**

For safe and correct use, please read this installation manual thoroughly before installing the air-conditioner unit.

GB





# CONTENTS

<b>1. Safety precautions</b> .....	<b>2</b>
1-1. General precautions.....	2
1-2. Precautions for transporting the unit.....	3
1-3. Precautions for unit installation.....	4
1-4. Precautions for piping work.....	4
1-5. Precautions for electrical wiring .....	5
1-6. Precautions for relocating or repairing the unit.....	5
1-7. Additional precautions.....	6
<b>2. About the product</b> .....	<b>8</b>
<b>3. Combination of outdoor units</b> .....	<b>8</b>
<b>4. Specifications</b> .....	<b>10</b>
<b>5. Package contents</b> .....	<b>13</b>
<b>6. Transporting the unit</b> .....	<b>14</b>
<b>7. Installation location</b> .....	<b>15</b>
7-1. Single unit installation .....	15
7-2. Multiple unit installation.....	16
<b>8. Foundation work</b> .....	<b>18</b>
<b>9. Refrigerant piping work</b> .....	<b>20</b>
9-1. Restrictions .....	20
9-2. Pipe selection.....	22
9-3. Twinning kit selection .....	23
9-4. Pipe connection example.....	23
9-5. Piping connections and valve operations .....	28
9-6. Air-tightness test .....	32
9-7. Thermal insulation for pipes.....	33
9-8. Evacuation of the system.....	35
9-9. Additional refrigerant charge.....	36
<b>10. Electrical work</b> .....	<b>40</b>
10-1. Before electrical work.....	40
10-2. Power cables and device capacity.....	40
10-3. Control cable specifications .....	43
10-4. System configuration .....	43
10-5. Wiring connections in the control box .....	46
10-6. Address setting .....	51
<b>11. Test run</b> .....	<b>52</b>
11-1. Before a test run.....	52
11-2. Function setting.....	53
11-3. Operation characteristics in relation to the refrigerant charge .....	54
11-4. Operation check .....	54
<b>12. Inspection and maintenance</b> .....	<b>55</b>
<b>13. Rating plate information</b> .....	<b>56</b>

# 1. Safety precautions

---

- ▶ Read and observe the safety precautions below and the instructions provided on the labels affixed to the unit.
- ▶ Retain this manual for future reference. Make sure that this manual is passed on to the end users.
- ▶ All refrigerant piping work, electrical work, air-tightness test, and brazing work must be performed by qualified personnel.
- ▶ Incorrect use may result in serious injury.

 <b>WARNING</b>	: indicates a hazardous situation which, if not avoided, could result in death or serious injury.
 <b>CAUTION</b>	: indicates a hazardous situation which, if not avoided, could result in minor or moderate injury.
<b>CAUTION</b>	: addresses practices not related to personal injury, such as product and/or property damage.

## 1-1. General precautions

### **WARNING**

**Do not use any refrigerant other than the type indicated in the manuals for the unit and on the nameplate.**

- Doing so will cause the unit or pipes to burst, or result in an explosion or fire during use, during repairs, or at the time of disposal of the unit.
- It may also be in violation of applicable laws.
- MITSUBISHI ELECTRIC CORPORATION cannot be held responsible for malfunctions or accidents resulting from the use of the wrong type of refrigerant.

---

**Do not use the unit in an unusual environment.**

- If the unit is used in areas exposed to large amounts of oil, steam, organic solvents, or corrosive gases (such as ammonia, sulfuric compounds, or acids), or areas where acidic/alkaline solutions or special chemical sprays are used frequently, it may significantly reduce the performance and corrode the internal parts, resulting in refrigerant leakage, water leakage, injury, electric shock, malfunction, smoke, or fire.

---

**Do not change the settings of the safety or protection devices.**

- Forcing the unit to operate by disabling the safety devices, such as the pressure switch or the thermal switch, may result in bursting, fire, or explosion.
- Operating the unit with a safety device whose settings have been changed may result in bursting, fire, or explosion.
- Using safety devices other than those specified by Mitsubishi Electric may result in bursting, fire, or explosion.

---

**Do not alter or modify the unit.**

- Doing so will result in refrigerant leakage, water leakage, serious injury, electric shock, or fire.

---

**Do not wet the electrical parts.**

- Doing so may result in current leakage, electric shock, malfunction, or fire.

---

**Do not touch the electrical parts, switches, or buttons with wet fingers.**

- Doing so may result in electric shock, malfunction, or fire.

---

**Do not touch the refrigerant pipes and refrigerant line components with bare hands during and immediately after operation.**

- The refrigerant in the pipes will be very hot or very cold, resulting in frostbite or burns.

---

**Do not touch the electrical parts with bare hands during and immediately after operation.**

- Doing so may result in burns.

---

**Ventilate the room while servicing the unit.**

- If the refrigerant leaks, oxygen deficiency may result. If the leaked refrigerant comes in contact with a heat source, toxic gas will be generated.

---

**If you notice any abnormality (e.g., a burning smell), stop the operation, turn off the power switch, and consult your dealer.**

- Continuing the operation may result in electric shock, malfunction, or fire.

---

**Properly install all required covers and panels on the terminal box and the control box.**

- If dust or water enters the unit, this may result in electric shock or fire.

---

**Periodically check the unit base for damage.**

- If the damage is left uncorrected, the unit will fall and cause serious injury.

---

**Consult your dealer for the proper disposal of the unit.**

- The refrigerant oil and the refrigerant in the unit will pose a risk of environmental pollution, fire, or explosion.

## **CAUTION**

---

**Children should be supervised to ensure that they do not play with the appliance.**

---

**Do not operate the unit with the panels and guards removed.**

- Rotating, hot, or high-voltage parts may cause injury, electric shock, or fire.

---

**Do not touch fans, heat exchanger fins, or the sharp edges of components with bare hands.**

- Doing so may result in injury.

---

**Wear protective gloves when working on the unit.**

- Failure to do so may result in injury.
- High-pressure pipes poses a risk of burns if touched with bare hands while the unit is in operation.

## **1-2. Precautions for transporting the unit**

### **WARNING**

---

**When lifting the unit, pass the slings through the four designated sling holes.**

- Improper lifting will cause the unit to topple or fall, resulting in serious injury.

### **CAUTION**

---

**Do not lift the unit with the PP bands that are used on some products.**

- Doing so may result in injury.

---

**Observe the restrictions on the maximum weight that a person can lift, which is specified in local regulations.**

- Failure to do so may result in injury.

## 1-3. Precautions for unit installation

### WARNING

**Do not install the unit where combustible gas may leak.**

- If combustible gas accumulates around the unit, fire or explosion may result.

**Do not allow children to play with the packing materials.**

- Suffocation or serious injury may result.

**Cut up the packing materials before disposal.**

**All installation work must be performed by qualified personnel in accordance with this manual.**

- Improper installation may result in refrigerant leakage, water leakage, serious injury, electric shock, or fire.

**If the air conditioner is installed in a small room, take measures to prevent the refrigerant concentration from exceeding the safety limit in the event of refrigerant leakage.**

- Consult your dealer regarding the appropriate measures to prevent the allowable concentration from being exceeded. If the refrigerant leaks and the allowable concentration is exceeded, hazards due to a lack of oxygen in the room will result.

**Install the unit in accordance with the instructions to minimize the risk of damage from earthquakes and strong winds.**

- Improper installation will cause the unit to topple, resulting in serious injury.

**The unit must be securely installed on a structure that can sustain its weight.**

- Failure to do so will cause the unit to fall, resulting in serious injury.

### CAUTION

**Seal all openings around pipes and wires to keep out small animals, rainwater, or snow.**

- Failure to do so may result in current leakage, electric shock, or damage to the unit.

## 1-4. Precautions for piping work

### WARNING

**Before heating the brazed sections, remove the gas and oil that are trapped in the pipes.**

- Failure to do so may generate fire, resulting in serious injury.

**Do not purge the air using refrigerant. Use a vacuum pump to evacuate the system.**

- Residual gas in the refrigerant lines will cause bursting of the pipes or an explosion.

**Do not use oxygen, flammable gas, or a refrigerant containing chlorine for air-tightness testing.**

- Doing so may result in an explosion. Chlorine will deteriorate the refrigerant oil.

**When installing or relocating the unit, do not allow air or any substance other than the specified refrigerant to enter the refrigerant lines.**

- Any substance other than the specified refrigerant may cause abnormally high pressure in the refrigerant lines, resulting in bursting of the pipes or an explosion.

**After the installation has been completed, check for refrigerant leaks.**

- If the refrigerant leaks, oxygen starvation may result. If the leaked refrigerant comes in contact with a heat source, toxic gas will be generated.

## 1-5. Precautions for electrical wiring

### **WARNING**

**Include some slack in the power cables.**

- Failure to do so may break or overheat the cables, resulting in smoke or fire.

**Connections must be made securely and without tension on the terminals.**

- Improperly connected cables may break, overheat, or cause smoke or fire.

**Tighten all terminal screws to the specified torque.**

- Loose screws and contact failure may result in smoke or fire.

**Electrical work must be performed by qualified personnel in accordance with local regulations and the instructions provided in this manual. Only use the specified cables and dedicated circuits.**

- Inadequate power source capacity or improper electrical work will result in electric shock, malfunction, or fire.

**Install an inverter circuit breaker on the power supply of each unit.**

- Failure to do so may result in electric shock or fire.

**Only use properly rated breakers (an earth leakage breaker, local switch <a switch + fuse that meets local electrical codes>, or overcurrent breaker).**

- Failure to do so may result in electric shock, malfunction, smoke, or fire.

**Only use standard power cables of sufficient capacity.**

- Failure to do so may result in current leakage, overheating, smoke, or fire.

**Proper grounding must be provided by qualified personnel.**

- Improper grounding may result in electric shock, fire, explosion, or malfunction due to electrical noise. Do not connect the ground wire to gas or water pipes, lightning rods, or telephone ground wires.

### **CAUTION**

**After the wiring work has been completed, measure the insulation resistance, and make sure that it reads at least 1 MΩ.**

- Failure to do so may result in electric leakage, malfunction, or fire.

## 1-6. Precautions for relocating or repairing the unit

### **WARNING**

**Only qualified personnel must relocate or repair the unit. Do not attempt to disassemble or alter the unit.**

- Failure to do so will result in refrigerant leakage, water leakage, serious injury, electric shock, or fire.

**Do not service the unit in the rain.**

- Doing so may result in electric leakage, electric shock, wire shorting, malfunction, smoke, or fire.

## 1-7. Additional precautions

### CAUTION

---

**Do not turn off the power immediately after stopping operation.**

- Wait for at least five minutes after the unit has stopped before turning off the power. Failure to do so may result in drain water leakage or the mechanical failure of sensitive parts.
- 

**The unit must be periodically inspected by a dealer or qualified personnel.**

- If dust or dirt accumulates inside the unit, the drain pipes may become clogged, and water leakage from the pipes may wet the surroundings and generate odours.
- 

**Turn on the power at least 12 hours before starting operation. Keep the power turned on throughout the operating season.**

- Insufficient energizing will result in malfunction.
- 

**Do not use the air conditioner for special purposes (e.g. keeping food, animals, plants, precision devices, or art objects in a room).**

- Such items could be damaged or deteriorated.
- 

**Collect the refrigerant and properly dispose of it in accordance with local regulations.**

---

**Do not install the unit on or over items that are subject to water damage.**

- When the room humidity exceeds 80% or if the drain pipe is clogged, condensation may collect and drip from the indoor unit onto the ceiling or floor.
- 

**Drain piping must be installed by a dealer or qualified personnel to ensure proper drainage.**

- Improper drain piping may cause water leakage, resulting in damage to furniture and other surroundings.
- 

**Take appropriate measures against electrical noise interference when installing the unit in hospitals or radio communication facilities.**

- Inverter, high-frequency medical, or wireless communication equipment as well as power generators may cause the air conditioning system to malfunction. The air conditioning system may also adversely affect the operation of these types of equipment by creating electrical noise.
- 

**Insulate pipes to prevent condensation.**

- Condensation may collect and drip from the unit onto the ceiling or floor.
- 

**Keep the service valves closed until refrigerant charging is completed.**

- Failure to do so will damage the unit.
- 

**Place a wet towel on the service valves before brazing the pipes to keep the temperature of the valves from rising above 120°C (248°F).**

- Failure to do so may result in equipment damage.
- 

**Keep the flame out of contact with the cables and metal sheet when brazing the pipes.**

- Failure to do so may result in burnout or malfunction.
- 

**Use the following tools specifically designed for use with the specified refrigerant: Gauge manifold, charge hose, gas leak detector, check valve, refrigerant charge base, vacuum gauge, and refrigerant recovery equipment.**

- Gas leak detectors for conventional refrigerants will not react to a refrigerant that does not contain chlorine.
- If the specified refrigerant is mixed with water, refrigerant oil, or another refrigerant, the refrigerant oil will deteriorate and the compressor will malfunction.



---

**Use a vacuum pump with a check valve.**

- If the vacuum pump oil flows back into the refrigerant lines, the refrigerant oil may deteriorate and the compressor may malfunction.

---

**Keep tools clean.**

- If dust, dirt, or water accumulates on the charging hose or the flare processing tool, the refrigerant will deteriorate and the compressor will malfunction.

---

**Use refrigerant piping made of phosphorus deoxidized copper (copper and copper alloy seamless pipes) that meets local requirements. Pipe joints should also meet local requirements. Keep the inner and outer surfaces of the pipes clean and free of sulphur, oxides, dust/dirt, shaving particles, oils, moisture, or any other contaminants.**

- Contaminants on the inside of the refrigerant piping will cause the refrigerant oil to deteriorate and cause the compressor to malfunction.

---

**Store pipes indoors, and keep both ends of the pipes sealed until just before making a flare connection or brazing. (Store elbows and other joints in plastic bags.)**

- If dust, dirt, or water enters the refrigerant lines, the refrigerant oil will deteriorate and the compressor will malfunction.

---

**Braze the pipes with a nitrogen purge to avoid oxidation.**

- Oxidized flux inside the refrigerant pipes will cause the refrigerant oil to deteriorate and cause the compressor to malfunction.

---

**Do not use existing refrigerant piping.**

- The old refrigerant and refrigerant oil in the existing piping contain a large amount of chlorine, which will cause the refrigerant oil in the new unit to deteriorate and cause the compressor to malfunction.

---

**Charge refrigerant in a liquid state.**

- Charging refrigerant in the gaseous state will change the composition of the refrigerant and lead to a performance drop.

---

**Do not use a charging cylinder when charging refrigerant.**

- The use of a charging cylinder may change the composition of the refrigerant and lead to a performance drop.

---

**If a large electric current flows due to a malfunction or faulty wiring, earth-leakage breakers on the unit side and on the upstream side of the power supply system could both operate. Depending on the importance of the system, separate the power supply system or take protective coordination of breakers.**

---

**This appliance is intended to be used by expert or trained users in shops, in light industry and on farms, or for commercial use by lay persons.**

---

**This appliance is not intended for use by persons (including children) with reduced physical, sensory or mental capabilities, or lack of experience and knowledge, unless they have been given supervision or instruction concerning use of the appliance by a person responsible for their safety.**

---

**Only qualified personnel may touch the USB port in the control box.**

## 2. About the product

- The outdoor unit described in this manual is air-conditioning equipment that is designed only for human comfort.
- The numeric values in the unit model name (e.g., PUHY-P\*\*\*YNW-A, PUHY-EP\*\*\*YNW-A) indicate the capacity index of the unit.
- This unit uses R410A refrigerant.

## 3. Combination of outdoor units

### (1) P models

Outdoor unit model	Combination of outdoor units		
PUHY-P200YNW-A(-BS)	-	-	-
PUHY-P250YNW-A(-BS)	-	-	-
PUHY-P300YNW-A(-BS)	-	-	-
PUHY-P350YNW-A(-BS)	-	-	-
PUHY-P400YNW-A(-BS)	-	-	-
PUHY-P450YNW-A(-BS)	-	-	-
PUHY-P500YNW-A(-BS)	-	-	-
PUHY-P400YSNW-A(-BS)	PUHY-P200YNW-A(-BS)	PUHY-P200YNW-A(-BS)	-
PUHY-P450YSNW-A(-BS)	PUHY-P250YNW-A(-BS)	PUHY-P200YNW-A(-BS)	-
PUHY-P500YSNW-A(-BS)	PUHY-P250YNW-A(-BS)	PUHY-P250YNW-A(-BS)	-
PUHY-P550YSNW-A(-BS)	PUHY-P300YNW-A(-BS)	PUHY-P250YNW-A(-BS)	-
PUHY-P600YSNW-A(-BS)	PUHY-P300YNW-A(-BS)	PUHY-P300YNW-A(-BS)	-
PUHY-P650YSNW-A(-BS)	PUHY-P400YNW-A(-BS)	PUHY-P250YNW-A(-BS)	-
PUHY-P700YSNW-A(-BS)	PUHY-P350YNW-A(-BS)	PUHY-P350YNW-A(-BS)	-
PUHY-P750YSNW-A(-BS)	PUHY-P400YNW-A(-BS)	PUHY-P350YNW-A(-BS)	-
PUHY-P800YSNW-A(-BS)	PUHY-P450YNW-A(-BS)	PUHY-P350YNW-A(-BS)	-
PUHY-P850YSNW-A(-BS)	PUHY-P450YNW-A(-BS)	PUHY-P400YNW-A(-BS)	-
PUHY-P900YSNW-A(-BS)	PUHY-P450YNW-A(-BS)	PUHY-P450YNW-A(-BS)	-
PUHY-P950YSNW-A(-BS)	PUHY-P350YNW-A(-BS)	PUHY-P350YNW-A(-BS)	PUHY-P250YNW-A(-BS)
PUHY-P1000YSNW-A(-BS)	PUHY-P400YNW-A(-BS)	PUHY-P350YNW-A(-BS)	PUHY-P250YNW-A(-BS)
PUHY-P1050YSNW-A(-BS)	PUHY-P400YNW-A(-BS)	PUHY-P400YNW-A(-BS)	PUHY-P250YNW-A(-BS)
PUHY-P1100YSNW-A(-BS)	PUHY-P400YNW-A(-BS)	PUHY-P350YNW-A(-BS)	PUHY-P350YNW-A(-BS)
PUHY-P1150YSNW-A(-BS)	PUHY-P400YNW-A(-BS)	PUHY-P400YNW-A(-BS)	PUHY-P350YNW-A(-BS)
PUHY-P1200YSNW-A(-BS)	PUHY-P400YNW-A(-BS)	PUHY-P400YNW-A(-BS)	PUHY-P400YNW-A(-BS)
PUHY-P1250YSNW-A(-BS)	PUHY-P450YNW-A(-BS)	PUHY-P400YNW-A(-BS)	PUHY-P400YNW-A(-BS)
PUHY-P1300YSNW-A(-BS)	PUHY-P450YNW-A(-BS)	PUHY-P450YNW-A(-BS)	PUHY-P400YNW-A(-BS)
PUHY-P1350YSNW-A(-BS)	PUHY-P450YNW-A(-BS)	PUHY-P450YNW-A(-BS)	PUHY-P450YNW-A(-BS)

\* "Twinning Kit" is required to connect combination units on site.

(2) EP models

Outdoor unit model	Combination of outdoor units		
PUHY-EP200YNW-A(-BS)	-	-	-
PUHY-EP250YNW-A(-BS)	-	-	-
PUHY-EP300YNW-A(-BS)	-	-	-
PUHY-EP350YNW-A(-BS)	-	-	-
PUHY-EP400YNW-A(-BS)	-	-	-
PUHY-EP450YNW-A(-BS)	-	-	-
PUHY-EP500YNW-A(-BS)	-	-	-
PUHY-EP400YSNW-A(-BS)	PUHY-EP200YNW-A(-BS)	PUHY-EP200YNW-A(-BS)	-
PUHY-EP450YSNW-A(-BS)	PUHY-EP250YNW-A(-BS)	PUHY-EP200YNW-A(-BS)	-
PUHY-EP500YSNW-A(-BS)	PUHY-EP250YNW-A(-BS)	PUHY-EP250YNW-A(-BS)	-
PUHY-EP550YSNW-A(-BS)	PUHY-EP300YNW-A(-BS)	PUHY-EP250YNW-A(-BS)	-
PUHY-EP600YSNW-A(-BS)	PUHY-EP300YNW-A(-BS)	PUHY-EP300YNW-A(-BS)	-
PUHY-EP650YSNW-A(-BS)	PUHY-EP400YNW-A(-BS)	PUHY-EP250YNW-A(-BS)	-
PUHY-EP700YSNW-A(-BS)	PUHY-EP350YNW-A(-BS)	PUHY-EP350YNW-A(-BS)	-
PUHY-EP750YSNW-A(-BS)	PUHY-EP400YNW-A(-BS)	PUHY-EP350YNW-A(-BS)	-
PUHY-EP800YSNW-A(-BS)	PUHY-EP450YNW-A(-BS)	PUHY-EP350YNW-A(-BS)	-
PUHY-EP850YSNW-A(-BS)	PUHY-EP450YNW-A(-BS)	PUHY-EP400YNW-A(-BS)	-
PUHY-EP900YSNW-A(-BS)	PUHY-EP450YNW-A(-BS)	PUHY-EP450YNW-A(-BS)	-
PUHY-EP950YSNW-A(-BS)	PUHY-EP350YNW-A(-BS)	PUHY-EP350YNW-A(-BS)	PUHY-EP250YNW-A(-BS)
PUHY-EP1000YSNW-A(-BS)	PUHY-EP400YNW-A(-BS)	PUHY-EP350YNW-A(-BS)	PUHY-EP250YNW-A(-BS)
PUHY-EP1050YSNW-A(-BS)	PUHY-EP400YNW-A(-BS)	PUHY-EP400YNW-A(-BS)	PUHY-EP250YNW-A(-BS)
PUHY-EP1100YSNW-A(-BS)	PUHY-EP400YNW-A(-BS)	PUHY-EP350YNW-A(-BS)	PUHY-EP350YNW-A(-BS)
PUHY-EP1150YSNW-A(-BS)	PUHY-EP400YNW-A(-BS)	PUHY-EP400YNW-A(-BS)	PUHY-EP350YNW-A(-BS)
PUHY-EP1200YSNW-A(-BS)	PUHY-EP400YNW-A(-BS)	PUHY-EP400YNW-A(-BS)	PUHY-EP400YNW-A(-BS)
PUHY-EP1250YSNW-A(-BS)	PUHY-EP450YNW-A(-BS)	PUHY-EP400YNW-A(-BS)	PUHY-EP400YNW-A(-BS)
PUHY-EP1300YSNW-A(-BS)	PUHY-EP450YNW-A(-BS)	PUHY-EP450YNW-A(-BS)	PUHY-EP400YNW-A(-BS)
PUHY-EP1350YSNW-A(-BS)	PUHY-EP450YNW-A(-BS)	PUHY-EP450YNW-A(-BS)	PUHY-EP450YNW-A(-BS)

\* "Twinning Kit" is required to connect combination units on site.

GB

# 4. Specifications

## (1) P models

Model		PUHY-P200YNW-A	PUHY-P250YNW-A	PUHY-P300YNW-A	PUHY-P350YNW-A	PUHY-P400YNW-A	PUHY-P450YNW-A
Power input	Cooling	4.24	5.78	7.66	9.87	11.47	12.22
	Heating	4.58	6.04	7.86	10.51	13.40	13.42
Sound pressure level <sup>3</sup> (50/60 Hz)		58.0 dB <A>	60.0 dB <A>	61.0 dB <A>	62.0 dB <A>	65.0 dB <A>	65.5 dB <A>
External static pressure		0 Pa*2					
Indoor unit	Total capacity	50% to 130%*1					
	Model	15 to 250					
	Quantity	1 to 17	1 to 21	1 to 26	1 to 30	1 to 34	1 to 39
Operation temperature (Cooling)	Outdoor	D.B.	-5.0°C to +52.0°C (+23.0°F to +125.6°F)				
	Indoor	W.B.	+15.0°C to +24.0°C (+59.0°F to +75.0°F)				
Operation temperature (Heating)	Outdoor	W.B.	-20.0°C to +15.5°C (-4.0°F to +60.0°F)				
	Indoor	D.B.	+15.0°C to +27.0°C (+59.0°F to +81.0°F)				

Model		PUHY-P500YNW-A	PUHY-P400YSNW-A	PUHY-P450YSNW-A	PUHY-P500YSNW-A	PUHY-P550YSNW-A	PUHY-P600YSNW-A
Power input	Cooling	12.52	8.77	10.22	11.91	14.15	16.26
	Heating	14.61	9.45	10.85	12.45	14.26	16.52
Sound pressure level <sup>3</sup> (50/60 Hz)		63.5 dB <A>	61.0 dB <A>	62.0 dB <A>	63.0 dB <A>	63.5 dB <A>	64.0 dB <A>
External static pressure		0 Pa*2					
Indoor unit	Total capacity	50% to 130%*1					
	Model	15 to 250					
	Quantity	1 to 43	1 to 34	1 to 39	1 to 43	2 to 47	2 to 50
Operation temperature (Cooling)	Outdoor	D.B.	-5.0°C to +52.0°C (+23.0°F to +125.6°F)				
	Indoor	W.B.	+15.0°C to +24.0°C (+59.0°F to +75.0°F)				
Operation temperature (Heating)	Outdoor	W.B.	-20.0°C to +15.5°C (-4.0°F to +60.0°F)				
	Indoor	D.B.	+15.0°C to +27.0°C (+59.0°F to +81.0°F)				

Model		PUHY-P650YSNW-A	PUHY-P700YSNW-A	PUHY-P750YSNW-A	PUHY-P800YSNW-A	PUHY-P850YSNW-A	PUHY-P900YSNW-A
Power input	Cooling	17.59	20.35	21.99	22.76	24.66	25.44
	Heating	19.53	21.15	24.54	24.39	28.05	27.90
Sound pressure level <sup>3</sup> (50/60 Hz)		66.5 dB <A>	65.0 dB <A>	67.0 dB <A>	67.5 dB <A>	68.5 dB <A>	68.5 dB <A>
External static pressure		0 Pa*2					
Indoor unit	Total capacity	50% to 130%*1					
	Model	15 to 250					
	Quantity	2 to 50	2 to 50	2 to 50	2 to 50	2 to 50	2 to 50
Operation temperature (Cooling)	Outdoor	D.B.	-5.0°C to +52.0°C (+23.0°F to +125.6°F)				
	Indoor	W.B.	+15.0°C to +24.0°C (+59.0°F to +75.0°F)				
Operation temperature (Heating)	Outdoor	W.B.	-20.0°C to +15.5°C (-4.0°F to +60.0°F)				
	Indoor	D.B.	+15.0°C to +27.0°C (+59.0°F to +81.0°F)				

Model		PUHY-P950YSNW-A	PUHY-P1000YSNW-A	PUHY-P1050YSNW-A	PUHY-P1100YSNW-A	PUHY-P1150YSNW-A	PUHY-P1200YSNW-A
Power input	Cooling	26.13	27.74	29.35	31.87	33.82	35.69
	Heating	27.20	30.45	33.30	35.34	38.32	41.42
Sound pressure level <sup>3</sup> (50/60 Hz)		66.0 dB <A>	68.0 dB <A>	68.5 dB <A>	68.5 dB <A>	69.0 dB <A>	70.0 dB <A>
External static pressure		0 Pa*2					
Indoor unit	Total capacity	50% to 130%*1					
	Model	15 to 250					
	Quantity	2 to 50	2 to 50	3 to 50	3 to 50	3 to 50	3 to 50
Operation temperature (Cooling)	Outdoor	D.B.	-5.0°C to +52.0°C (+23.0°F to +125.6°F)				
	Indoor	W.B.	+15.0°C to +24.0°C (+59.0°F to +75.0°F)				
Operation temperature (Heating)	Outdoor	W.B.	-20.0°C to +15.5°C (-4.0°F to +60.0°F)				
	Indoor	D.B.	+15.0°C to +27.0°C (+59.0°F to +81.0°F)				

Model		PUHY-P1250YSNW-A	PUHY-P1300YSNW-A	PUHY-P1350YSNW-A
Power input	Cooling	36.17	37.24	37.78
	Heating	41.40	41.55	41.40
Sound pressure level <sup>3</sup> (50/60 Hz)		70.0 dB <A>	70.0 dB <A>	70.5 dB <A>
External static pressure		0 Pa <sup>2</sup>		
Indoor unit	Total capacity	50% to 130%*1		
	Model	15 to 250		
	Quantity	3 to 50	3 to 50	3 to 50
Operation temperature (Cooling)	Outdoor	D.B.	-5.0°C to +52.0°C (+23.0°F to +125.6°F)	
	Indoor	W.B.	+15.0°C to +24.0°C (+59.0°F to +75.0°F)	
Operation temperature (Heating)	Outdoor	W.B.	-20.0°C to +15.5°C (-4.0°F to +60.0°F)	
	Indoor	D.B.	+15.0°C to +27.0°C (+59.0°F to +81.0°F)	

\*1 The maximum total capacity of indoor units operating simultaneously is 130%.

\*2 To enable the high static pressure setting, set the dipswitch on the main board as follows.

	SW6-5: ON	SW6-5: OFF
SW6-4: ON	80 Pa	60 Pa
SW6-4: OFF	30 Pa	0 Pa

\*3 Cooling mode

## (2) EP models

Model		PUHY-EP200YNW-A	PUHY-EP250YNW-A	PUHY-EP300YNW-A	PUHY-EP350YNW-A	PUHY-EP400YNW-A	PUHY-EP450YNW-A
Power input	Cooling	4.00	5.49	6.96	8.75	10.46	11.10
	Heating	4.50	5.86	7.51	9.86	12.40	13.02
Sound pressure level <sup>3</sup> (50/60 Hz)		58.0 dB <A>	60.0 dB <A>	61.0 dB <A>	62.0 dB <A>	65.0 dB <A>	65.5 dB <A>
External static pressure		0 Pa <sup>2</sup>					
Indoor unit	Total capacity	50% to 130%*1					
	Model	15 to 250					
	Quantity	1 to 17	1 to 21	1 to 26	1 to 30	1 to 34	1 to 39
Operation temperature (Cooling)	Outdoor	D.B.	-5.0°C to +52.0°C (+23.0°F to +125.6°F)				
	Indoor	W.B.	+15.0°C to +24.0°C (+59.0°F to +75.0°F)				
Operation temperature (Heating)	Outdoor	W.B.	-20.0°C to +15.5°C (-4.0°F to +60.0°F)				
	Indoor	D.B.	+15.0°C to +27.0°C (+59.0°F to +81.0°F)				

Model		PUHY-EP500YNW-A	PUHY-EP400YSNW-A	PUHY-EP450YSNW-A	PUHY-EP500YSNW-A	PUHY-EP550YSNW-A	PUHY-EP600YSNW-A
Power input	Cooling	12.41	8.27	9.67	11.31	13.10	14.75
	Heating	13.57	9.27	10.58	12.09	13.77	15.79
Sound pressure level <sup>3</sup> (50/60 Hz)		63.5 dB <A>	61.0 dB <A>	62.0 dB <A>	63.0 dB <A>	63.5 dB <A>	64.0 dB <A>
External static pressure		0 Pa <sup>2</sup>					
Indoor unit	Total capacity	50% to 130%*1					
	Model	15 to 250					
	Quantity	1 to 43	1 to 34	1 to 39	1 to 43	2 to 47	2 to 50
Operation temperature (Cooling)	Outdoor	D.B.	-5.0°C to +52.0°C (+23.0°F to +125.6°F)				
	Indoor	W.B.	+15.0°C to +24.0°C (+59.0°F to +75.0°F)				
Operation temperature (Heating)	Outdoor	W.B.	-20.0°C to +15.5°C (-4.0°F to +60.0°F)				
	Indoor	D.B.	+15.0°C to +27.0°C (+59.0°F to +81.0°F)				

Model		PUHY-EP650YSNW-A	PUHY-EP700YSNW-A	PUHY-EP750YSNW-A	PUHY-EP800YSNW-A	PUHY-EP850YSNW-A	PUHY-EP900YSNW-A
Power input	Cooling	16.32	18.00	19.75	20.45	22.40	23.10
	Heating	18.47	19.85	22.88	23.30	26.66	27.07
Sound pressure level <sup>3</sup> (50/60 Hz)		66.5 dB <A>	65.0 dB <A>	67.0 dB <A>	67.5 dB <A>	68.5 dB <A>	68.5 dB <A>
External static pressure		0 Pa <sup>2</sup>					
Indoor unit	Total capacity	50% to 130%*1					
	Model	15 to 250					
	Quantity	2 to 50	2 to 50	2 to 50	2 to 50	2 to 50	2 to 50
Operation temperature (Cooling)	Outdoor	D.B.	-5.0°C to +52.0°C (+23.0°F to +125.6°F)				
	Indoor	W.B.	+15.0°C to +24.0°C (+59.0°F to +75.0°F)				
Operation temperature (Heating)	Outdoor	W.B.	-20.0°C to +15.5°C (-4.0°F to +60.0°F)				
	Indoor	D.B.	+15.0°C to +27.0°C (+59.0°F to +81.0°F)				

Model		PUHY-EP950YSNW-A	PUHY-EP1000YSNW-A	PUHY-EP1050YSNW-A	PUHY-EP1100YSNW-A	PUHY-EP1150YSNW-A	PUHY-EP1200YSNW-A
Power input	Cooling	23.62	25.33	27.05	28.56	30.56	32.58
	Heating	25.79	28.70	31.26	33.00	35.60	38.34
Sound pressure level <sup>*3</sup> (50/60 Hz)		66.0 dB <A>	68.0 dB <A>	68.5 dB <A>	68.5 dB <A>	69.0 dB <A>	70.0 dB <A>
External static pressure		0 Pa <sup>*2</sup>					
Indoor unit	Total capacity	50% to 130% <sup>*1</sup>					
	Model	15 to 250					
	Quantity	2 to 50	2 to 50	3 to 50	3 to 50	3 to 50	3 to 50
Operation temperature (Cooling)	Outdoor	D.B.	-5.0°C to +52.0°C (+23.0°F to +125.6°F)				
	Indoor	W.B.	+15.0°C to +24.0°C (+59.0°F to +75.0°F)				
Operation temperature (Heating)	Outdoor	W.B.	-20.0°C to +15.5°C (-4.0°F to +60.0°F)				
	Indoor	D.B.	+15.0°C to +27.0°C (+59.0°F to +81.0°F)				

Model		PUHY-EP1250YSNW-A	PUHY-EP1300YSNW-A	PUHY-EP1350YSNW-A
Power input	Cooling	32.98	33.85	34.30
	Heating	39.00	39.81	40.24
Sound pressure level <sup>*3</sup> (50/60 Hz)		70.0 dB <A>	70.0 dB <A>	70.5 dB <A>
External static pressure		0 Pa <sup>*2</sup>		
Indoor unit	Total capacity	50% to 130% <sup>*1</sup>		
	Model	15 to 250		
	Quantity	3 to 50	3 to 50	3 to 50
Operation temperature (Cooling)	Outdoor	D.B.	-5.0°C to +52.0°C (+23.0°F to +125.6°F)	
	Indoor	W.B.	+15.0°C to +24.0°C (+59.0°F to +75.0°F)	
Operation temperature (Heating)	Outdoor	W.B.	-20.0°C to +15.5°C (-4.0°F to +60.0°F)	
	Indoor	D.B.	+15.0°C to +27.0°C (+59.0°F to +81.0°F)	

\*1 The maximum total capacity of indoor units operating simultaneously is 130%.

\*2 To enable the high static pressure setting, set the dipswitch on the main board as follows.

	SW6-5: ON	SW6-5: OFF
SW6-4: ON	80 Pa	60 Pa
SW6-4: OFF	30 Pa	0 Pa

\*3 Cooling mode

# 5. Package contents

---

The table below lists all the parts and their quantities included in the package.

## (1) P models

	Tie band
P200	2
P250	2
P300	2
P350	2
P400	2
P450	2
P500	2

## (2) EP models

	Tie band
EP200	2
EP250	2
EP300	2
EP350	2
EP400	2
EP450	2
EP500	2

# 6. Transporting the unit

## **! WARNING**

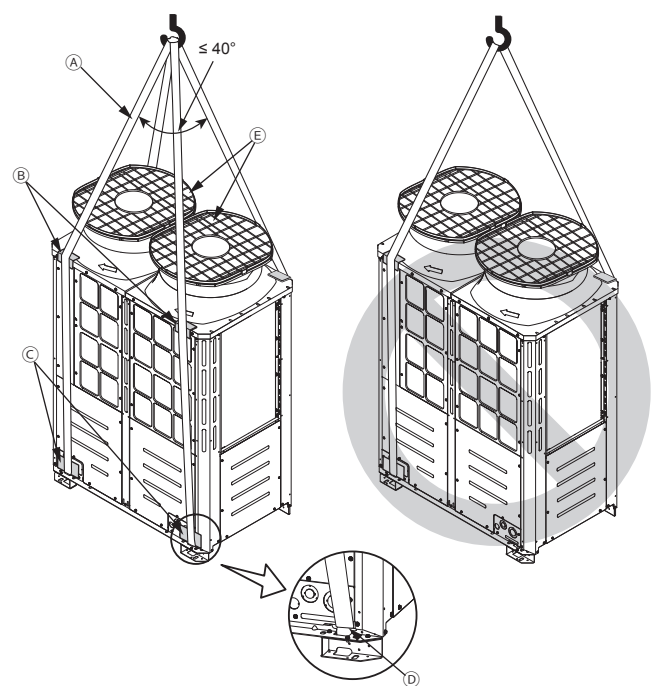
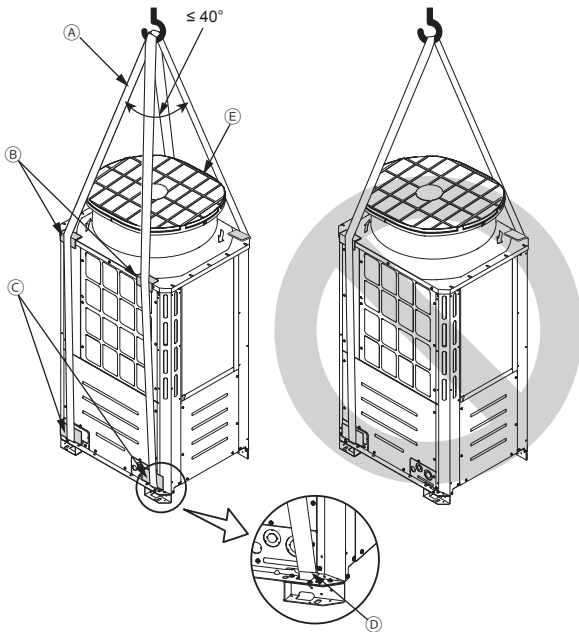
**When lifting the unit, pass the slings through the four designated sling holes.**

- Improper lifting will cause the unit to topple or fall, resulting in serious injury.

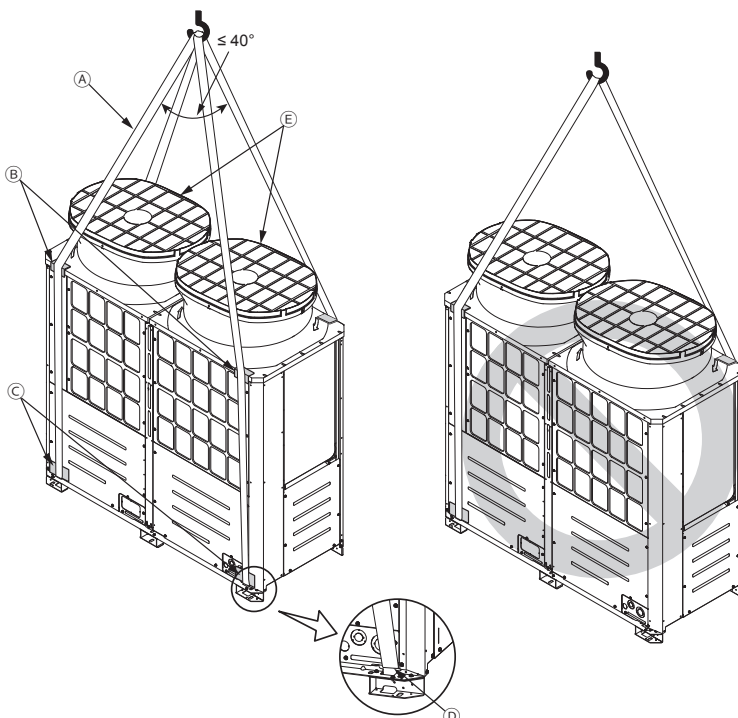
- Always use two slings to lift up the unit. Each sling must be at least 8 m (26 ft) long and must be able to support the weight of the unit.
- Put protective pads between slings and the unit where the slings touch the unit at the base to protect the unit from being scratched.
- Put 50 mm (2 in) or thicker protective pads between slings and the unit where the slings touch the unit at the top of the unit to protect the unit from being scratched and to avoid contact with the slings and the fan guard.
- Make sure that the angles between slings at the top are less than 40 degrees.

P200, P250, P300, EP200, EP250, EP300

P350, P400, P450, EP350, EP400, EP450



P500, EP500



- Ⓐ Slings (Min. 8 m (26 ft) x 2)
- Ⓑ Protective pads (Minimum thickness: 50 mm (2 in)) (two each in the front and back)
- Ⓒ Protective pads (two each in the front and back)
- Ⓓ Sling holes (two each in the front and back)
- Ⓔ Fan guard



# 7. Installation location

## ! WARNING

**Do not install the unit where combustible gas may leak.**

- If combustible gas accumulates around the unit, fire or explosion may result.

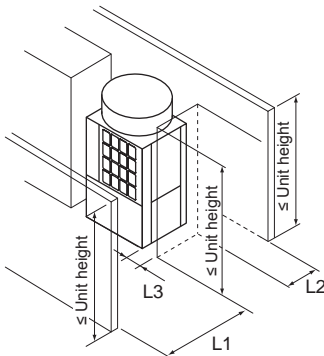
- Provide sufficient space around the unit for effective operation, efficient air movement, and ease of access for maintenance.
- Note that refrigerant gas is heavier than air and will therefore tend to collect in low spots such as basements.
- When an indoor unit that draws in outside air exits near the outdoor unit, be careful not to affect the normal operation of the indoor unit.
- When the amount of drain water is excessive, drain water comes out of the outdoor unit along the panel during heating operation. Provide sufficient space around the unit according to the instructions below.

GB

## 7-1. Single unit installation

(1) When all walls are within their height limits\*.

[mm (in)]



\* Height limit

Front/Right/Left/Rear	Same height or lower than the overall height of the unit
-----------------------	--

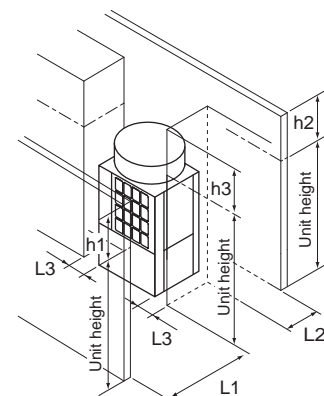
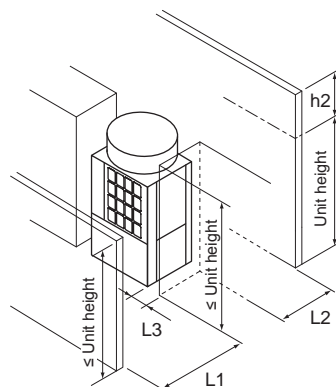
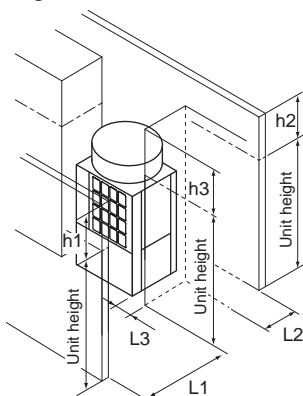
	Required minimum distance [mm (in)]		
	L1 (Front)	L2 (Rear)	L3 (Right/Left)
When the distance behind the unit (L2) needs to be small	450 (17-3/4)	100 (3-15/16)	50 (2)
When the distance to the right or left (L3) needs to be small	450 (17-3/4)	300 (11-13/16)	15 (5/8)

(2) When one or more walls exceed their height limits\*.

When the wall(s) at the front and/or the right/left exceed(s) their height limits

When the wall at the rear exceeds its height limit

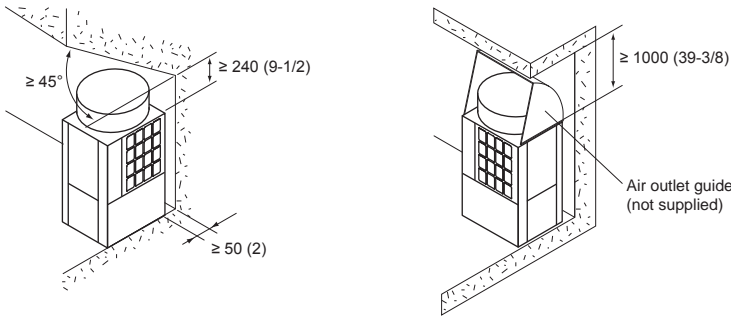
When all walls exceed their height limits



Add the dimension that exceeds the height limit (shown as "h1" through "h3" in the figures) to L1, L2, and L3 as shown in the table below.

	Required minimum distance [mm (in)]		
	L1 (Front)	L2 (Rear)	L3 (Right/Left)
When the distance behind the unit (L2) needs to be small	450 (17-3/4) + h1	100 (3-15/16) + h2	50 (2) + h3
When the distance to the right or left (L3) needs to be small	450 (17-3/4) + h1	300 (11-13/16) + h2	15 (5/8) + h3

(3) When there are overhead obstacles

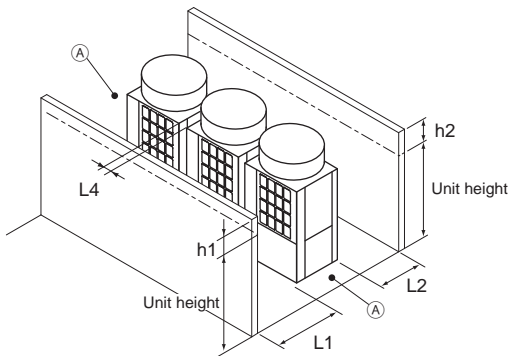


## 7-2. Multiple unit installation

- When installing multiple units, make sure to take into consideration factors such as providing enough space for people to pass through, ample space between blocks of units, and sufficient space for airflow. (The areas marked with Ⓐ in the figures below must be left open.)
- In the same way as with the single unit installation, add the dimension that exceeds the height limit (shown as "h1" through "h3" in the figures) to L1, L2, and L3 as shown in the tables below.
- If there are walls in the front and rear of the block of units, up to six units (three units for units P450 through P500) can be installed consecutively side by side, and a space of 1000 mm (39-3/8 in) or more must be left between each block of six units.
- When the amount of drain water is excessive, drain water comes out of the outdoor unit along the panel during heating operation.

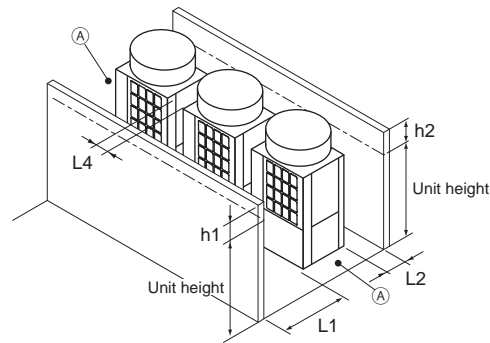
(1) Side-by-side installation

When the distances between the units (L4) need to be small



Required minimum distance [mm (in)]		
L1 (Front)	L2 (Rear)	L4 (Between)
450 (17-3/4) + h1	300 (11-13/16) + h2	30 (1-3/16)

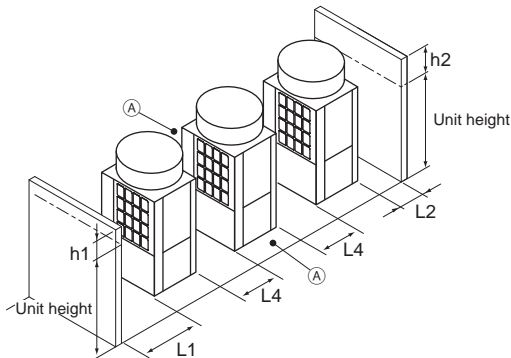
When the distance behind the block of units (L2) needs to be small



Required minimum distance [mm (in)]		
L1 (Front)	L2 (Rear)	L4 (Between)
450 (17-3/4) + h1	100 (3-15/16) + h2	100 (3-15/16)

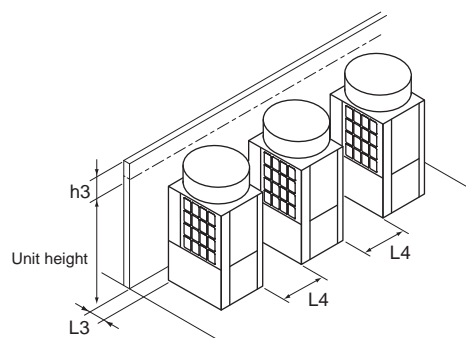
(2) Face-to-face installation

When there are walls in the front and rear of the block of units



Required minimum distance [mm (in)]		
L1 (Front)	L2 (Rear)	L4 (Between)
450 (17-3/4) + h1	100 (3-15/16) + h2	450 (17-3/4)

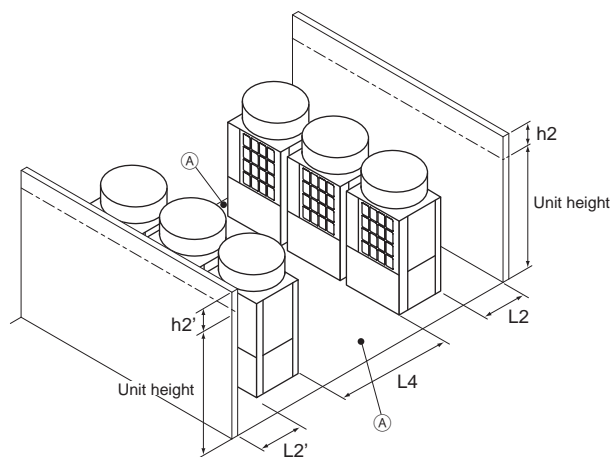
When there is a wall on either the right or left side of the block of units



Required minimum distance [mm (in)]	
L3 (Right/Left)	L4 (Between)
15 (5/8) + h3	450 (17-3/4)

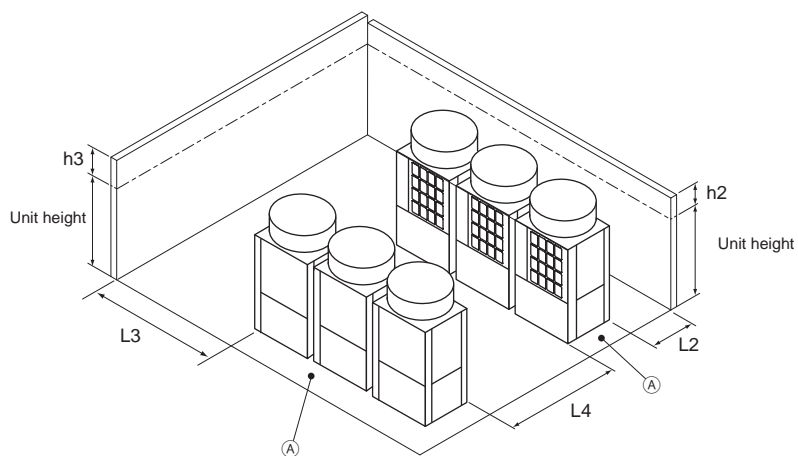
(3) Combination of face-to-face and side-by-side installations

When there are walls in the front and rear of the block of units



Required minimum distance [mm (in)]		
L2 (Rear)	L2' (Rear)	L4 (Between)
300 (11-13/16) + h2	300 (11-13/16) + h2'	900 (35-7/16)

When there are two walls in an L-shape



Required minimum distance [mm (in)]		
L2 (Rear)	L3 (Right/Left)	L4 (Between)
300 (11-13/16) + h2	1000 (39-3/8) + h3	900 (35-7/16)

Ⓐ Leave open in two directions.

# 8. Foundation work

## **! WARNING**

Install the unit in accordance with the instructions to minimize the risk of damage from earthquakes and strong winds.

- Improper installation will cause the unit to topple, resulting in serious injury.

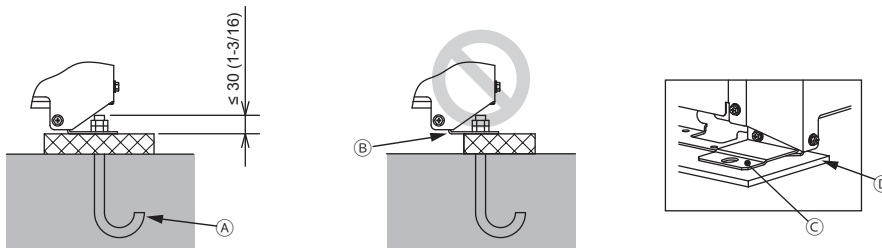
**The unit must be securely installed on a structure that can sustain its weight.**

- Failure to do so will cause the unit to fall, resulting in serious injury.

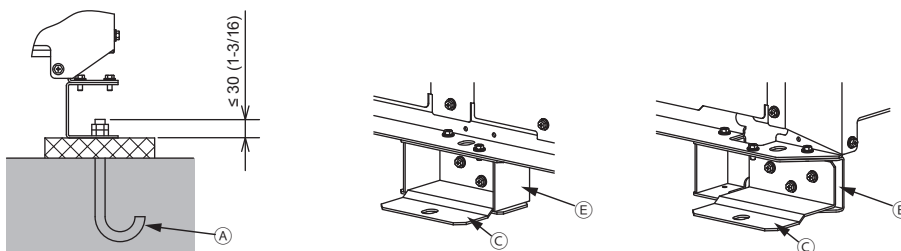
- When performing the foundation work, make sure that the floor surface has sufficient strength and carefully route pipes and wires in consideration of the water drainage that will be required when the unit is operated.
- If considering routing the pipes and wires across the bottom of the unit, make sure that the base is at least 100 mm (3-15/16 in) high so that the through-holes will not be blocked.
- Provide a strong base of concrete or angle iron. If a stainless steel base is used, insulate the area between the base and the outdoor unit by putting a rubber cushion or by applying an electrically insulated coating to prevent the base from rusting.
- Install the unit on a level surface.
- With some types of installation, unit vibration and sound will be transmitted to the floors and walls. In such locations, take measures to prevent vibration (such as using anti-vibration rubber pads).

[mm (in)]

### (1) Without a detachable leg



### (2) With a detachable leg

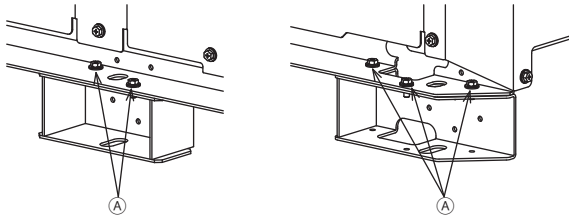


- (A) M10 anchor bolt (not supplied)
- (B) (Incorrect installation) The corner section is not securely received.
- (C) Fixing bracket for post-installed anchor bolts (not supplied) (To be fixed with three screws)
- (D) Anti-vibration rubber pad  
(The pad needs to be large enough to cover the entire width of each unit leg.)
- (E) Detachable leg

- Make sure that the corner section is securely received. If not, the unit legs could bend.
- The length of the projecting part of the anchor bolt should be 30 mm (1-3/16 in) or less.
- This unit is not designed to be anchored with post-installed anchor bolts unless fixing brackets are installed at the bottom four locations (six locations for units (E)P500).

- To remove the detachable legs on site, unscrew the screws shown in the figure below. If the unit leg coating is damaged when the detachable leg is removed, repair the coating on site.

(A) Screws



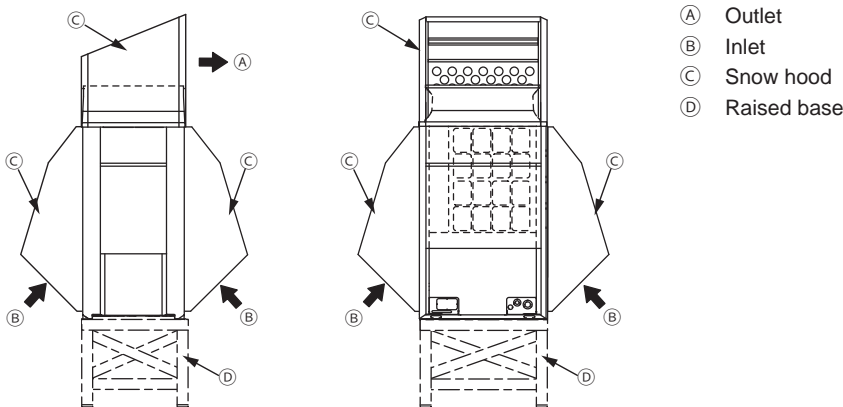
- In abnormally harsh environments such as cold and/or windy areas, sufficient countermeasures to guard against excessive wind and snow should be taken to ensure the unit's correct operation. When the unit is expected to operate in cooling mode in conditions under 10°C (50°F), in snowy areas, in environments subject to strong winds or rain, install snow hoods of the following specifications (not supplied) as shown in the figure below.

Material: Galvanized steel plate 1.2T

Painting: Overall painting with polyester powder

Color: Munsell 3.0Y 7.8/1.1 (same as the unit color)

Size: Refer to the Data Book.



- Install the unit so that the wind will not blow directly against the inlet and outlet.
- If necessary, install the unit on a raised base of the following specifications (not supplied) to prevent damage from snow.

Material: Angle iron (Build a structure that snow and wind can pass through.)

Height: Expected maximum snowfall plus 200 mm (7-7/8 in)

Width: Within the unit width (If the raised base is too wide, snow will accumulate on the raised base.)

- When the unit is used in a cold region and the heating operation is continuously performed for a long time when the outside air temperature is below freezing, install a heater on the raised base or take other appropriate measures to prevent water from freezing on the raised base.
- When installing a panel heater, provide sufficient space for maintenance accordingly. For details, refer to the Data Book or installation manual for the panel heater.

# 9. Refrigerant piping work

## **! WARNING**

**Do not use any refrigerant other than the type indicated in the manuals for the unit and on the nameplate.**

- Doing so will cause the unit or pipes to burst, or result in an explosion or fire during use, during repairs, or at the time of disposal of the unit.
- It may also be in violation of applicable laws.
- MITSUBISHI ELECTRIC CORPORATION cannot be held responsible for malfunctions or accidents resulting from the use of the wrong type of refrigerant.

**After the installation has been completed, check for refrigerant leaks.**

- If the refrigerant leaks, oxygen starvation may result. If the leaked refrigerant comes in contact with a heat source, toxic gas will be generated.

## **! CAUTION**

**Wear protective gloves when working on the unit.**

- Failure to do so may result in injury.
- High-pressure pipes poses a risk of burns if touched with bare hands while the unit is in operation.

## **CAUTION**

**Use the following tools specifically designed for use with the specified refrigerant: Gauge manifold, charge hose, gas leak detector, check valve, refrigerant charge base, vacuum gauge, and refrigerant recovery equipment.**

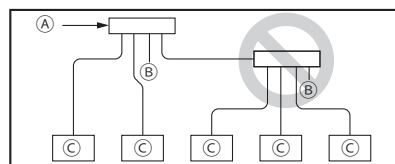
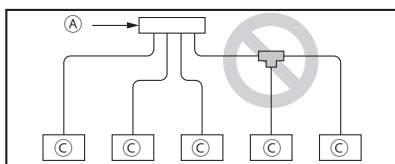
- Gas leak detectors for conventional refrigerants will not react to a refrigerant that does not contain chlorine.
- If the specified refrigerant is mixed with water, refrigerant oil, or another refrigerant, the refrigerant oil will deteriorate and the compressor will malfunction.

**Do not use existing refrigerant piping.**

- The old refrigerant and refrigerant oil in the existing piping contain a large amount of chlorine, which will cause the refrigerant oil in the new unit to deteriorate and cause the compressor to malfunction.

## 9-1. Restrictions

- Existing refrigerant piping must not be used because the design pressure for systems using R410A is higher than that for systems using other types of refrigerants.
- Do not install outdoor unit piping when it is raining.
- Do not use special detergents for washing piping.
- Always observe the restrictions on refrigerant piping (such as pipe size, pipe length, and vertical separation distance) to prevent equipment failure or a decline in heating/cooling performance.
- Do not install solenoid valves to prevent oil backflow and compressor start-up failure.
- Do not install a sight glass because it may show improper refrigerant flow. If a sight glass is installed, inexperienced technicians that use the glass may overcharge the refrigerant.
- Branching cannot be made after header branching.



- (A) From outdoor unit
- (B) Cap
- (C) Indoor unit

- The pipe from multiple outdoor units must be installed so that oil will not accumulate in the pipe under certain conditions. Refer to the figures below for details.

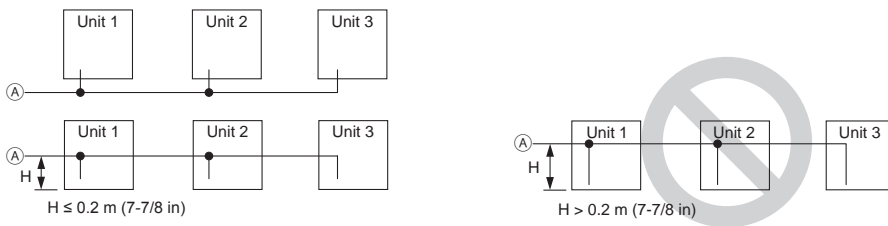
\* Small dots in the figures indicate branching points.

(A) To indoor units

- The pipe from the outdoor units must be inclined downward to the indoor unit side. In the figure on the right, because the pipe is inclined upward, the oil in the pipe accumulates when Unit 1 is in operation and Unit 3 is stopped.



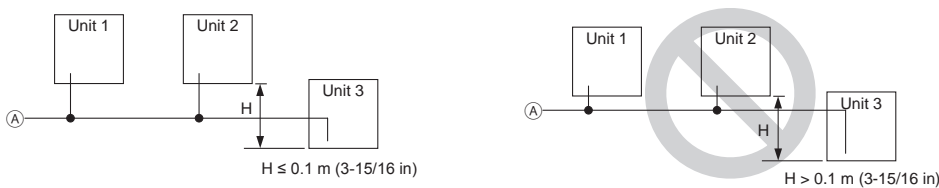
- The distance between the unit bottom and the pipe (H) must be 0.2 m (7-7/8 in) or below. In the figure on the right, because the distance is more than 0.2 m (7-7/8 in), the oil accumulates in Units 1 and 2 when Unit 3 is in operation and Units 1 and 2 are stopped.



- The vertical separation between units (H) must be 0.1 m (3-15/16 in) or below. In the figure on the right, because the distance is more than 0.1 m (3-15/16 in), the oil accumulates in Unit 1 when Unit 3 is in operation and Unit 1 is stopped.

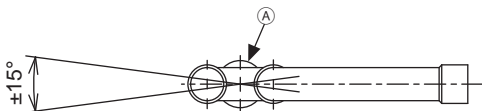


- The vertical separation between units (H) must be 0.1 m (3-15/16 in) or below. In the figure on the right, because the distance is more than 0.1 m (3-15/16 in), the oil accumulates in Unit 3 when Unit 1 is in operation and Unit 3 is stopped.

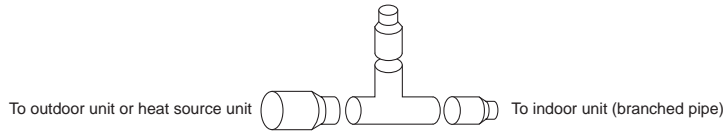


- Make sure that the inclination tolerance of the Twinning Kit is  $\pm 15^\circ$  to the ground to avoid unit damage.

(A) Twinning Kit

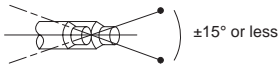


- Restriction on installing the indoor unit twinning kit CMY-Y202S-G2 or CMY-Y302S-G2 on the gas piping

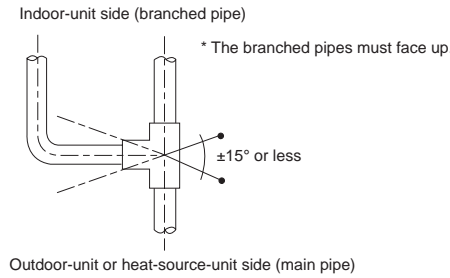


- The indoor unit twinning kit on the gas piping must be installed horizontally (as shown in the figure at left below) or with the branched pipes facing up (as shown in the figure at right below).
- If the size of the refrigerant pipe that is selected by following the instructions under section 9-4 does not match the size of the indoor unit twinning kit, use a reducer to connect them. A reducer is included in the indoor unit twinning kit.

#### Horizontal installation



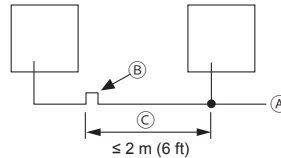
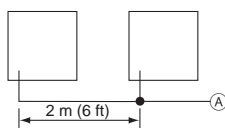
#### Vertical installation



- If the length of the pipe between the branching point and the outdoor unit exceeds 2 m (6 ft), provide a trap within 2 m (6 ft) from the branching point.

The trap must be at least 200 mm (7-7/8 in) in height. (gas pipe only) If there is no trap, oil can accumulate inside the pipe, causing a shortage of oil and may damage the compressor.

\* Small dots in the figures indicate branching points.



- (A) To indoor units
- (B) Trap (gas pipe only)
- (C) Gas pipe

## 9-2. Pipe selection

### CAUTION

**Use refrigerant piping made of phosphorus deoxidized copper (copper and copper alloy seamless pipes) that meets local requirements. Pipe joints should also meet local requirements. Keep the inner and outer surfaces of the pipes clean and free of sulphur, oxides, dust/dirt, shaving particles, oils, moisture, or any other contaminants.**

- Contaminants on the inside of the refrigerant piping will cause the refrigerant oil to deteriorate and cause the compressor to malfunction.

Use refrigerant pipes for use with R410A refrigerant system. Piping for systems for use with other types of refrigerants may not be able to be used.

Use refrigerant pipes with the thicknesses specified in the table below.

Size [mm (in)]	Radial thickness [mm (mil)]	Type
ø6.35 (ø1/4)	0.8 (32)	Type-O
ø9.52 (ø3/8)	0.8 (32)	Type-O
ø12.7 (ø1/2)	0.8 (32)	Type-O
ø15.88 (ø5/8)	1.0 (40)	Type-O
ø19.05 (ø3/4)	1.2 (48)	Type-O
	1.0 (40)	Type-1/2H or H
ø22.2 (ø7/8)	1.0 (40)	Type-1/2H or H
ø25.4 (ø1)	1.0 (40)	Type-1/2H or H
ø28.58 (ø1-1/8)	1.0 (40)	Type-1/2H or H
ø31.75 (ø1-1/4)	1.1 (44)	Type-1/2H or H
ø34.93 (ø1-3/8)	1.2 (48)	Type-1/2H or H
ø41.28 (ø1-5/8)	1.4 (56)	Type-1/2H or H



## 9-3. Twinning kit selection

### 9-3-1. Indoor unit twinning kit

Select a proper indoor unit twinning kit (sold separately) based on the total capacity of the downstream indoor units, using the table below as a reference.

Line branching

Total capacity of downstream indoor units	Kit model
200 or below	CMY-Y102SS-G2
201 to 400	CMY-Y102LS-G2
401 to 650	CMY-Y202S-G2
651 or above	CMY-Y302S-G2

Line branching for the 1st branching point

Outdoor unit model	Kit model
P450 to P650	CMY-Y202S-G2
P700 to P1350	CMY-Y302S-G2

Header branching

Total capacity of downstream indoor units	Number of branches	Kit model
200 or below	4	CMY-Y104-G
400 or below	8	CMY-Y108-G
650 or below	10	CMY-Y1010-G

\* Use an adapter, if necessary, to connect a refrigerant pipe to a twinning pipe of a different diameter.

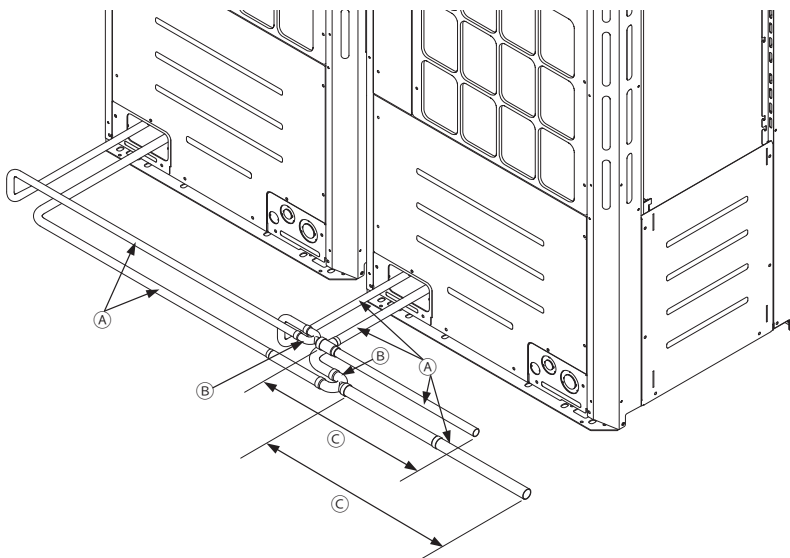
### 9-3-2. Outdoor unit twinning kit

Select a proper outdoor unit twinning kit (sold separately) based on the total capacity of the outdoor units, using the table below as a reference.

Total capacity of outdoor units	Kit model	Total capacity of outdoor units	Kit model
P400 to P650	CMY-Y100VBK3	EP550 to EP650	CMY-Y100VBK3
P700 to P900	CMY-Y200VBK2	EP700 to EP900	CMY-Y200VBK2
P950 to P1350	CMY-Y300VBK3	EP950 to EP1350	CMY-Y300VBK3

## 9-4. Pipe connection example

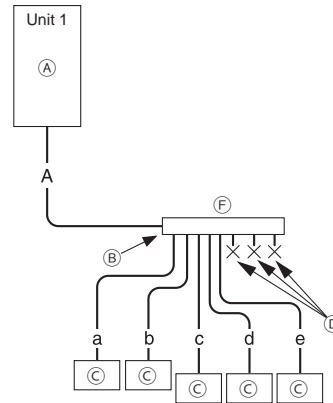
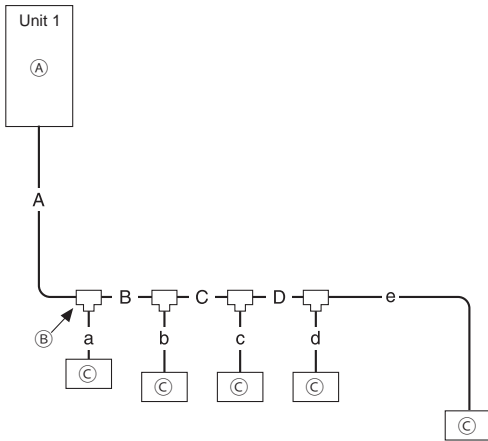
- Example of pipe connection between outdoor units



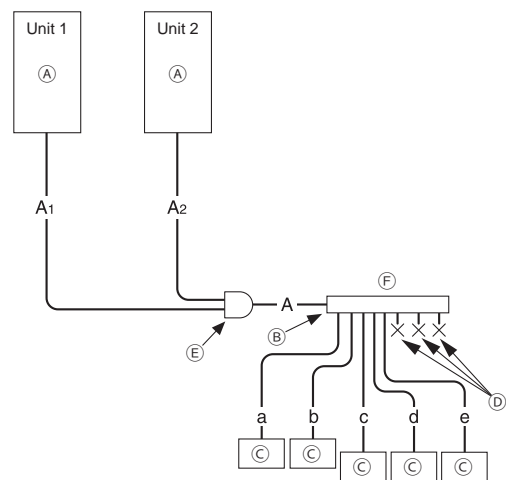
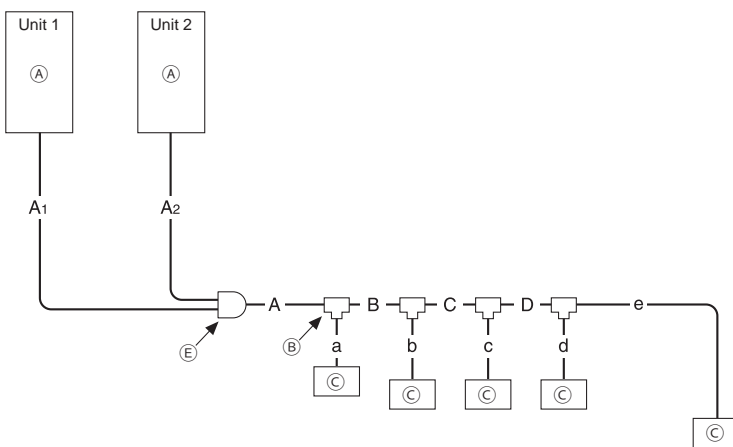
- Ⓐ On-site piping
- Ⓑ Twinning Kit
- Ⓒ The pipe section before the twinning pipe must have at least 500 mm (19-11/16 in) of straight section.

• Example of pipe connection between outdoor units and indoor units

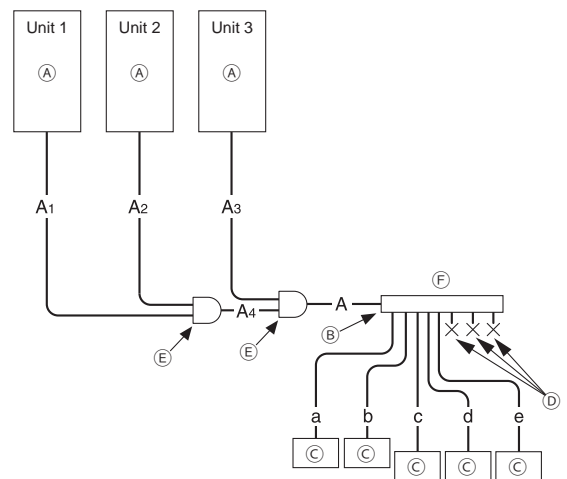
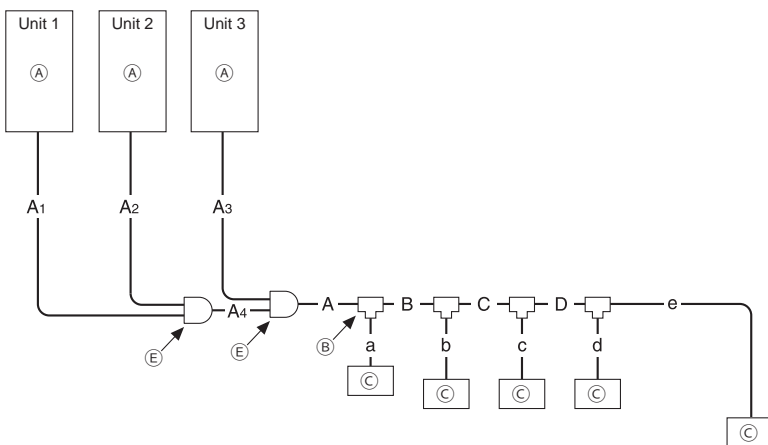
P200 to P500YNW-A  
EP200 to EP500YNW-A



P400 to P900YSNW-A  
EP550 to EP900YSNW-A



P950 to P1350YSNW-A  
EP950 to EP1350YSNW-A



- (A) Outdoor unit
- (B) 1st branching
- (C) Indoor unit
- (D) Cap
- (E) Outdoor unit twinning kit
- (F) Header branching

\* The total length of A<sub>1</sub>, A<sub>2</sub>, A<sub>3</sub>, and A<sub>4</sub> is less than 10 m (32 ft).

(1) P models

Pipes A, A<sub>1</sub>, A<sub>2</sub>, A<sub>3</sub>, A<sub>4</sub>

[mm]

Unit model	Combination unit			Pipe A		Pipe A <sub>1</sub> <sup>*3</sup>		Pipe A <sub>2</sub> <sup>*3</sup>		Pipe A <sub>3</sub> <sup>*3</sup>		Pipe A <sub>4</sub>	
	Unit 1	Unit 2	Unit 3	Liquid	Gas	Liquid	Gas	Liquid	Gas	Liquid	Gas	Liquid	Gas
P200YNW-A	-	-	-	ø9.52	ø22.2	-	-	-	-	-	-	-	-
P250YNW-A	-	-	-	ø9.52 *1	ø22.2	-	-	-	-	-	-	-	-
P300YNW-A	-	-	-	ø9.52 *2	ø22.2	-	-	-	-	-	-	-	-
P350YNW-A	-	-	-	ø12.7	ø28.58	-	-	-	-	-	-	-	-
P400YNW-A	-	-	-	ø12.7	ø28.58	-	-	-	-	-	-	-	-
P450YNW-A	-	-	-	ø15.88	ø28.58	-	-	-	-	-	-	-	-
P500YNW-A	-	-	-	ø15.88	ø28.58	-	-	-	-	-	-	-	-
P400YSNW-A	P200	P200	-	ø12.7	ø28.58	ø9.52	ø22.2	ø9.52	ø22.2	-	-	-	-
P450YSNW-A	P250	P200	-	ø15.88	ø28.58	ø9.52	ø22.2	ø9.52	ø22.2	-	-	-	-
P500YSNW-A	P250	P250	-	ø15.88	ø28.58	ø9.52	ø22.2	ø9.52	ø22.2	-	-	-	-
P550YSNW-A	P300	P250	-	ø15.88	ø28.58	ø12.7	ø28.58	ø9.52	ø22.2	-	-	-	-
P600YSNW-A	P300	P300	-	ø15.88	ø28.58	ø12.7	ø28.58	ø12.7	ø28.58	-	-	-	-
P650YSNW-A	P400	P250	-	ø15.88	ø28.58	ø12.7	ø28.58	ø9.52	ø22.2	-	-	-	-
P700YSNW-A	P350	P350	-	ø19.05	ø34.93	ø12.7	ø28.58	ø12.7	ø28.58	-	-	-	-
P750YSNW-A	P400	P350	-	ø19.05	ø34.93	ø15.88	ø28.58	ø12.7	ø28.58	-	-	-	-
P800YSNW-A	P450	P350	-	ø19.05	ø34.93	ø15.88	ø28.58	ø12.7	ø28.58	-	-	-	-
P850YSNW-A	P450	P400	-	ø19.05	ø41.28	ø15.88	ø28.58	ø15.88	ø28.58	-	-	-	-
P900YSNW-A	P450	P450	-	ø19.05	ø41.28	ø15.88	ø28.58	ø15.88	ø28.58	-	-	-	-
P950YSNW-A	P350	P350	P250	ø19.05	ø41.28	ø12.7	ø28.58	ø12.7	ø28.58	ø9.52	ø22.2	ø19.05	ø34.93
P1000YSNW-A	P400	P350	P250	ø19.05	ø41.28	ø15.88	ø28.58	ø12.7	ø28.58	ø9.52	ø22.2	ø19.05	ø34.93
P1050YSNW-A	P400	P400	P250	ø19.05	ø41.28	ø15.88	ø28.58	ø15.88	ø28.58	ø9.52	ø22.2	ø19.05	ø34.93
P1100YSNW-A	P400	P350	P350	ø19.05	ø41.28	ø15.88	ø28.58	ø12.7	ø28.58	ø12.7	ø28.58	ø19.05	ø34.93
P1150YSNW-A	P400	P400	P350	ø19.05	ø41.28	ø15.88	ø28.58	ø15.88	ø28.58	ø12.7	ø28.58	ø19.05	ø34.93
P1200YSNW-A	P400	P400	P400	ø19.05	ø41.28	ø15.88	ø28.58	ø15.88	ø28.58	ø15.88	ø28.58	ø19.05	ø34.93
P1250YSNW-A	P450	P400	P400	ø19.05	ø41.28	ø15.88	ø28.58	ø15.88	ø28.58	ø15.88	ø28.58	ø19.05	ø34.93
P1300YSNW-A	P450	P450	P400	ø19.05	ø41.28	ø15.88	ø28.58	ø15.88	ø28.58	ø15.88	ø28.58	ø19.05	ø34.93
P1350YSNW-A	P450	P450	P450	ø19.05	ø41.28	ø15.88	ø28.58	ø15.88	ø28.58	ø15.88	ø28.58	ø19.05	ø34.93

Pipes A, A<sub>1</sub>, A<sub>2</sub>, A<sub>3</sub>, A<sub>4</sub>

[in]

Unit model	Combination unit			Pipe A		Pipe A <sub>1</sub> <sup>*3</sup>		Pipe A <sub>2</sub> <sup>*3</sup>		Pipe A <sub>3</sub> <sup>*3</sup>		Pipe A <sub>4</sub>	
	Unit 1	Unit 2	Unit 3	Liquid	Gas	Liquid	Gas	Liquid	Gas	Liquid	Gas	Liquid	Gas
P200YNW-A	-	-	-	ø3/8	ø7/8	-	-	-	-	-	-	-	-
P250YNW-A	-	-	-	ø3/8 *1	ø7/8	-	-	-	-	-	-	-	-
P300YNW-A	-	-	-	ø3/8 *2	ø7/8	-	-	-	-	-	-	-	-
P350YNW-A	-	-	-	ø1/2	ø1-1/8	-	-	-	-	-	-	-	-
P400YNW-A	-	-	-	ø1/2	ø1-1/8	-	-	-	-	-	-	-	-
P450YNW-A	-	-	-	ø5/8	ø1-1/8	-	-	-	-	-	-	-	-
P500YNW-A	-	-	-	ø5/8	ø1-1/8	-	-	-	-	-	-	-	-
P400YSNW-A	P200	P200	-	ø1/2	ø1-1/8	ø3/8	ø7/8	ø3/8	ø7/8	-	-	-	-
P450YSNW-A	P250	P200	-	ø5/8	ø1-1/8	ø3/8	ø7/8	ø3/8	ø7/8	-	-	-	-
P500YSNW-A	P250	P250	-	ø5/8	ø1-1/8	ø3/8	ø7/8	ø3/8	ø7/8	-	-	-	-
P550YSNW-A	P300	P250	-	ø5/8	ø1-1/8	ø1/2	ø1-1/8	ø3/8	ø7/8	-	-	-	-
P600YSNW-A	P300	P300	-	ø5/8	ø1-1/8	ø1/2	ø1-1/8	ø1/2	ø1-1/8	-	-	-	-
P650YSNW-A	P400	P250	-	ø5/8	ø1-1/8	ø1/2	ø1-1/8	ø3/8	ø7/8	-	-	-	-
P700YSNW-A	P350	P350	-	ø3/4	ø1-3/8	ø1/2	ø1-1/8	ø1/2	ø1-1/8	-	-	-	-
P750YSNW-A	P400	P350	-	ø3/4	ø1-3/8	ø5/8	ø1-1/8	ø1/2	ø1-1/8	-	-	-	-
P800YSNW-A	P450	P350	-	ø3/4	ø1-3/8	ø5/8	ø1-1/8	ø1/2	ø1-1/8	-	-	-	-
P850YSNW-A	P450	P400	-	ø3/4	ø1-5/8	ø5/8	ø1-1/8	ø5/8	ø1-1/8	-	-	-	-
P900YSNW-A	P450	P450	-	ø3/4	ø1-5/8	ø5/8	ø1-1/8	ø5/8	ø1-1/8	-	-	-	-
P950YSNW-A	P350	P350	P250	ø3/4	ø1-5/8	ø1/2	ø1-1/8	ø1/2	ø1-1/8	ø3/8	ø7/8	ø3/4	ø1-3/8
P1000YSNW-A	P400	P350	P250	ø3/4	ø1-5/8	ø5/8	ø1-1/8	ø1/2	ø1-1/8	ø3/8	ø7/8	ø3/4	ø1-3/8
P1050YSNW-A	P400	P400	P250	ø3/4	ø1-5/8	ø5/8	ø1-1/8	ø5/8	ø1-1/8	ø3/8	ø7/8	ø3/4	ø1-3/8
P1100YSNW-A	P400	P350	P350	ø3/4	ø1-5/8	ø5/8	ø1-1/8	ø1/2	ø1-1/8	ø1/2	ø1-1/8	ø3/4	ø1-3/8
P1150YSNW-A	P400	P400	P350	ø3/4	ø1-5/8	ø5/8	ø1-1/8	ø5/8	ø1-1/8	ø1/2	ø1-1/8	ø3/4	ø1-3/8
P1200YSNW-A	P400	P400	P400	ø3/4	ø1-5/8	ø5/8	ø1-1/8	ø5/8	ø1-1/8	ø5/8	ø1-1/8	ø3/4	ø1-3/8
P1250YSNW-A	P450	P400	P400	ø3/4	ø1-5/8	ø5/8	ø1-1/8	ø5/8	ø1-1/8	ø5/8	ø1-1/8	ø3/4	ø1-3/8
P1300YSNW-A	P450	P450	P400	ø3/4	ø1-5/8	ø5/8	ø1-1/8	ø5/8	ø1-1/8	ø5/8	ø1-1/8	ø3/4	ø1-3/8
P1350YSNW-A	P450	P450	P450	ø3/4	ø1-5/8	ø5/8	ø1-1/8	ø5/8	ø1-1/8	ø5/8	ø1-1/8	ø3/4	ø1-3/8

\*1 Use the ø12.7 (ø1/2) pipe if the piping length from the outdoor unit to the farthest indoor unit is 90 m (295 ft) or longer.

\*2 Use the ø12.7 (ø1/2) pipe if the piping length from the outdoor unit to the farthest indoor unit is 40 m (131 ft) or longer.

\*3 If the combination units 1, 2, and 3 are in a different order as listed in the table, make sure to use the pipes of appropriate size for the situation.

\*4 If the pipe length after the first branching point exceeds 40 m (131 ft) (≤ 90 m (295 ft)), use the one size larger liquid pipe for all pipes from indoor units to the first branch.

\*5 When the vertical separation between the indoor units is 15 m (49 ft) (≤ 30 m (98 ft)), use the one size larger liquid pipe for all pipes from the lower indoor units to the first branch.

(2) EP models

Pipes A, A<sub>1</sub>, A<sub>2</sub>, A<sub>3</sub>, A<sub>4</sub>

[mm]

Unit model	Combination unit			Pipe A		Pipe A <sub>1</sub> <sup>*3</sup>		Pipe A <sub>2</sub> <sup>*3</sup>		Pipe A <sub>3</sub> <sup>*3</sup>		Pipe A <sub>4</sub>	
	Unit 1	Unit 2	Unit 3	Liquid	Gas	Liquid	Gas	Liquid	Gas	Liquid	Gas	Liquid	Gas
EP200YNW-A	-	-	-	ø9.52	ø22.2	-	-	-	-	-	-	-	-
EP250YNW-A	-	-	-	ø9.52 *1	ø22.2	-	-	-	-	-	-	-	-
EP300YNW-A	-	-	-	ø9.52 *2	ø28.58	-	-	-	-	-	-	-	-
EP350YNW-A	-	-	-	ø12.7	ø28.58	-	-	-	-	-	-	-	-
EP400YNW-A	-	-	-	ø12.7	ø28.58	-	-	-	-	-	-	-	-
EP450YNW-A	-	-	-	ø15.88	ø28.58	-	-	-	-	-	-	-	-
EP500YNW-A	-	-	-	ø15.88	ø28.58	-	-	-	-	-	-	-	-
EP400YSNW-A	EP200	EP200	-	ø12.7	ø28.58	ø9.52	ø22.2	ø9.52	ø22.2	-	-	-	-
EP450YSNW-A	EP250	EP200	-	ø15.88	ø28.58	ø9.52	ø22.2	ø9.52	ø22.2	-	-	-	-
EP500YSNW-A	EP250	EP250	-	ø15.88	ø28.58	ø9.52	ø22.2	ø9.52	ø22.2	-	-	-	-
EP550YSNW-A	EP300	EP250	-	ø15.88	ø28.58	ø12.7	ø28.58	ø9.52	ø22.2	-	-	-	-
EP600YSNW-A	EP300	EP300	-	ø15.88	ø28.58	ø12.7	ø28.58	ø12.7	ø28.58	-	-	-	-
EP650YSNW-A	EP400	EP250	-	ø15.88	ø28.58	ø12.7	ø28.58	ø9.52	ø22.2	-	-	-	-
EP700YSNW-A	EP350	EP350	-	ø19.05	ø34.93	ø12.7	ø28.58	ø12.7	ø28.58	-	-	-	-
EP750YSNW-A	EP400	EP350	-	ø19.05	ø34.93	ø15.88	ø28.58	ø12.7	ø28.58	-	-	-	-
EP800YSNW-A	EP450	EP350	-	ø19.05	ø34.93	ø15.88	ø28.58	ø12.7	ø28.58	-	-	-	-
EP850YSNW-A	EP450	EP400	-	ø19.05	ø41.28	ø15.88	ø28.58	ø15.88	ø28.58	-	-	-	-
EP900YSNW-A	EP450	EP450	-	ø19.05	ø41.28	ø15.88	ø28.58	ø15.88	ø28.58	-	-	-	-
EP950YSNW-A	EP350	EP350	EP250	ø19.05	ø41.28	ø12.7	ø28.58	ø12.7	ø28.58	ø9.52	ø22.2	ø19.05	ø34.93
EP1000YSNW-A	EP400	EP350	EP250	ø19.05	ø41.28	ø15.88	ø28.58	ø12.7	ø28.58	ø9.52	ø22.2	ø19.05	ø34.93
EP1050YSNW-A	EP400	EP400	EP250	ø19.05	ø41.28	ø15.88	ø28.58	ø15.88	ø28.58	ø9.52	ø22.2	ø19.05	ø34.93
EP1100YSNW-A	EP400	EP350	EP350	ø19.05	ø41.28	ø15.88	ø28.58	ø12.7	ø28.58	ø12.7	ø28.58	ø19.05	ø34.93
EP1150YSNW-A	EP400	EP400	EP350	ø19.05	ø41.28	ø15.88	ø28.58	ø15.88	ø28.58	ø12.7	ø28.58	ø19.05	ø34.93
EP1200YSNW-A	EP400	EP400	EP400	ø19.05	ø41.28	ø15.88	ø28.58	ø15.88	ø28.58	ø15.88	ø28.58	ø19.05	ø34.93
EP1250YSNW-A	EP450	EP400	EP400	ø19.05	ø41.28	ø15.88	ø28.58	ø15.88	ø28.58	ø15.88	ø28.58	ø19.05	ø34.93
EP1300YSNW-A	EP450	EP450	EP400	ø19.05	ø41.28	ø15.88	ø28.58	ø15.88	ø28.58	ø15.88	ø28.58	ø19.05	ø34.93
EP1350YSNW-A	EP450	EP450	EP450	ø19.05	ø41.28	ø15.88	ø28.58	ø15.88	ø28.58	ø15.88	ø28.58	ø19.05	ø34.93

Unit model	Combination unit			Pipe A		Pipe A <sub>1</sub> <sup>*3</sup>		Pipe A <sub>2</sub> <sup>*3</sup>		Pipe A <sub>3</sub> <sup>*3</sup>		Pipe A <sub>4</sub>	
	Unit 1	Unit 2	Unit 3	Liquid	Gas	Liquid	Gas	Liquid	Gas	Liquid	Gas	Liquid	Gas
EP200YNW-A	-	-	-	ø3/8	ø7/8	-	-	-	-	-	-	-	-
EP250YNW-A	-	-	-	ø3/8 *1	ø7/8	-	-	-	-	-	-	-	-
EP300YNW-A	-	-	-	ø3/8 *2	ø1-1/8	-	-	-	-	-	-	-	-
EP350YNW-A	-	-	-	ø1/2	ø1-1/8	-	-	-	-	-	-	-	-
EP400YNW-A	-	-	-	ø1/2	ø1-1/8	-	-	-	-	-	-	-	-
EP450YNW-A	-	-	-	ø5/8	ø1-1/8	-	-	-	-	-	-	-	-
EP500YNW-A	-	-	-	ø5/8	ø1-1/8	-	-	-	-	-	-	-	-
EP400YSNW-A	EP200	EP200	-	ø1/2	ø1-1/8	ø3/8	ø7/8	ø3/8	ø7/8	-	-	-	-
EP450YSNW-A	EP250	EP200	-	ø5/8	ø1-1/8	ø3/8	ø7/8	ø3/8	ø7/8	-	-	-	-
EP500YSNW-A	EP250	EP250	-	ø5/8	ø1-1/8	ø3/8	ø7/8	ø3/8	ø7/8	-	-	-	-
EP550YSNW-A	EP300	EP250	-	ø5/8	ø1-1/8	ø1/2	ø1-1/8	ø3/8	ø7/8	-	-	-	-
EP600YSNW-A	EP300	EP300	-	ø5/8	ø1-1/8	ø1/2	ø1-1/8	ø1/2	ø1-1/8	-	-	-	-
EP650YSNW-A	EP400	EP250	-	ø5/8	ø1-1/8	ø1/2	ø1-1/8	ø3/8	ø7/8	-	-	-	-
EP700YSNW-A	EP350	EP350	-	ø3/4	ø1-3/8	ø1/2	ø1-1/8	ø1/2	ø1-1/8	-	-	-	-
EP750YSNW-A	EP400	EP350	-	ø3/4	ø1-3/8	ø5/8	ø1-1/8	ø1/2	ø1-1/8	-	-	-	-
EP800YSNW-A	EP450	EP350	-	ø3/4	ø1-3/8	ø5/8	ø1-1/8	ø1/2	ø1-1/8	-	-	-	-
EP850YSNW-A	EP450	EP400	-	ø3/4	ø1-5/8	ø5/8	ø1-1/8	ø5/8	ø1-1/8	-	-	-	-
EP900YSNW-A	EP450	EP450	-	ø3/4	ø1-5/8	ø5/8	ø1-1/8	ø5/8	ø1-1/8	-	-	-	-
EP950YSNW-A	EP350	EP350	EP250	ø3/4	ø1-5/8	ø1/2	ø1-1/8	ø1/2	ø1-1/8	ø3/8	ø7/8	ø3/4	ø1-3/8
EP1000YSNW-A	EP400	EP350	EP250	ø3/4	ø1-5/8	ø5/8	ø1-1/8	ø1/2	ø1-1/8	ø3/8	ø7/8	ø3/4	ø1-3/8
EP1050YSNW-A	EP400	EP400	EP250	ø3/4	ø1-5/8	ø5/8	ø1-1/8	ø5/8	ø1-1/8	ø3/8	ø7/8	ø3/4	ø1-3/8
EP1100YSNW-A	EP400	EP350	EP350	ø3/4	ø1-5/8	ø5/8	ø1-1/8	ø1/2	ø1-1/8	ø1/2	ø1-1/8	ø3/4	ø1-3/8
EP1150YSNW-A	EP400	EP400	EP350	ø3/4	ø1-5/8	ø5/8	ø1-1/8	ø5/8	ø1-1/8	ø1/2	ø1-1/8	ø3/4	ø1-3/8
EP1200YSNW-A	EP400	EP400	EP400	ø3/4	ø1-5/8	ø5/8	ø1-1/8	ø5/8	ø1-1/8	ø5/8	ø1-1/8	ø3/4	ø1-3/8
EP1250YSNW-A	EP450	EP400	EP400	ø3/4	ø1-5/8	ø5/8	ø1-1/8	ø5/8	ø1-1/8	ø5/8	ø1-1/8	ø3/4	ø1-3/8
EP1300YSNW-A	EP450	EP450	EP400	ø3/4	ø1-5/8	ø5/8	ø1-1/8	ø5/8	ø1-1/8	ø5/8	ø1-1/8	ø3/4	ø1-3/8
EP1350YSNW-A	EP450	EP450	EP450	ø3/4	ø1-5/8	ø5/8	ø1-1/8	ø5/8	ø1-1/8	ø5/8	ø1-1/8	ø3/4	ø1-3/8

\*1 Use the ø12.7 (ø1/2) pipe if the piping length from the outdoor unit to the farthest indoor unit is 90 m (295 ft) or longer.

\*2 Use the ø12.7 (ø1/2) pipe if the piping length from the outdoor unit to the farthest indoor unit is 40 m (131 ft) or longer.

\*3 If the combination units 1, 2, and 3 are in a different order as listed in the table, make sure to use the pipes of appropriate size for the situation.

\*4 If the pipe length after the first branching point exceeds 40 m (131 ft) (≤ 90 m (295 ft)), use the one size larger liquid pipe for all pipes from indoor units to the first branch.

\*5 When the vertical separation between the indoor units is 15 m (49 ft) (≤ 30 m (98 ft)), use the one size larger liquid pipe for all pipes from the lower indoor units to the first branch.

## Pipes B,C,D

[mm (in)]

Total capacity of indoor units	Pipe	
	Liquid	Gas
140 or below	ø9.52 (ø3/8)	ø15.88 (ø5/8)
141 to 200	ø9.52 (ø3/8)	ø19.05 (ø3/4)
201 to 300	ø9.52 (ø3/8)	ø22.2 (ø7/8)
301 to 400	ø12.7 (ø1/2)	ø28.58 (ø1-1/8)
401 to 650	ø15.88 (ø5/8)	ø28.58 (ø1-1/8)
651 to 800	ø19.05 (ø3/4)	ø34.93 (ø1-3/8)
801 or above	ø19.05 (ø3/4)	ø41.28 (ø1-5/8)

## Pipes a,b,c,d,e

[mm (in)]

Capacity index of indoor unit	Pipe	
	Liquid	Gas
20, 25, 32, 40, 50	ø6.35 (ø1/4)	ø12.7 (ø1/2)
63, 71, 80, 100, 125, 140	ø9.52 (ø3/8)	ø15.88 (ø5/8)
200	ø9.52 (ø3/8)	ø19.05 (ø3/4)
250	ø9.52 (ø3/8)	ø22.2 (ø7/8)

## 9-5. Piping connections and valve operations

### **WARNING**

---

**Before heating the brazed sections, remove the gas and oil that are trapped in the pipes.**

- Failure to do so may generate fire, resulting in serious injury.
- 

**Ventilate the room while servicing the unit.**

- If the refrigerant leaks, oxygen deficiency may result. If the leaked refrigerant comes in contact with a heat source, toxic gas will be generated.
- 

### **CAUTION**

---

**Store pipes indoors, and keep both ends of the pipes sealed until just before making a flare connection or brazing. (Store elbows and other joints in plastic bags.)**

- If dust, dirt, or water enters the refrigerant lines, the refrigerant oil will deteriorate and the compressor will malfunction.
- 

**Keep the service valves closed until refrigerant charging is completed.**

- Failure to do so will damage the unit.
- 

**Place a wet towel on the service valves before brazing the pipes to keep the temperature of the valves from rising above 120°C (248°F).**

- Failure to do so may result in equipment damage.
- 

**Keep the flame out of contact with the cables and metal sheet when brazing the pipes.**

- Failure to do so may result in burnout or malfunction.
- 

**Braze the pipes with a nitrogen purge to avoid oxidation.**

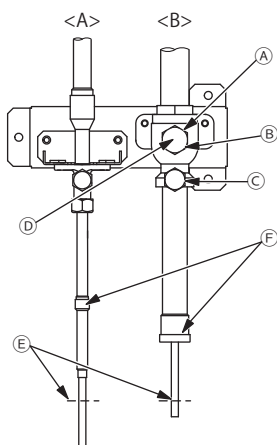
- Oxidized flux inside the refrigerant pipes will cause the refrigerant oil to deteriorate and cause the compressor to malfunction.
-

## 9-5-1. Removing the pinched connecting pipes

The unit is shipped with the pinched connecting pipes attached to the liquid- and gas-side service valves to prevent gas leakage.

Take the following steps ① through ③ to remove the pinched connecting pipes before connecting refrigerant pipes to the outdoor unit.

- ① Check that the service valves are fully closed (turned clockwise all the way).
- ② Remove the gas in the pinched connecting pipes, and drain out all the refrigerant oil. (See ⑤ below.)
- ③ Remove the pinched connecting pipes. (See ⑥ below.)



<A> Refrigerant service valve (liquid/brazed)

<B> Refrigerant service valve (gas/brazed)

① Valve shaft

The unit is shipped with the valve closed. Keep the valve closed while connecting pipes or evacuating the system. Open the valve upon completion of this work.

Turn the shaft counterclockwise as far as it will go (90°) to open the valve, and clockwise to close it.

② Stopper pin

Prevents the shaft from turning 90° or more.

③ Service port

Through the service ports, you can charge refrigerant, remove the gas in the pinched connecting pipes, or evacuate the system.

④ Cap

Remove the cap before turning the shaft. Put the cap back on upon completion of all work.

⑤ Severed section of the pinched connecting pipe

⑥ Brazed section of the pinched connecting pipe

## 9-5-2. Connecting pipes

- The refrigerant pipe from the outdoor unit is branched at the pipe end, and each branch is then connected to an indoor unit.

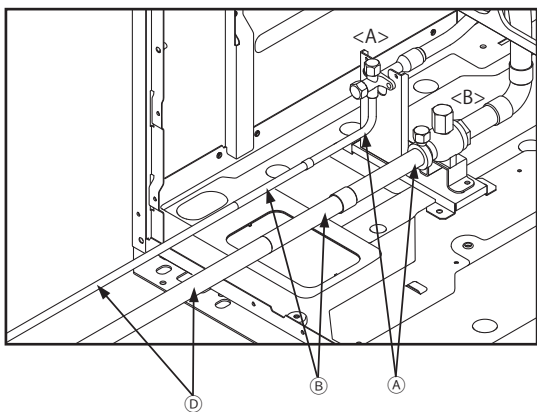
		Connecting method
Indoor unit		Brazed or flared
Outdoor unit	Gas pipe	Brazed
	Liquid pipe	Brazed
Branched section		Brazed

- When connecting pipes, make sure the service valves are completely closed.
- Commercially available pipes often contain dust or debris. Always blow them clean with a dry inert gas.
- Take care to prevent dust, water or other contaminants from entering the pipes during installation.
- Reduce the number of bending portions as much as possible, and make the bending radius as big as possible.
- Do not use any commercially available anti-oxidizing agents since they may cause pipe corrosion and degrading of the refrigerant oil. Please contact Mitsubishi Electric for more details.
- Make sure that the pipes are not in contact with each other, unit panels, or base plates.
- Refer to the twinning kit Installation Manual for how to install the twinning kit.

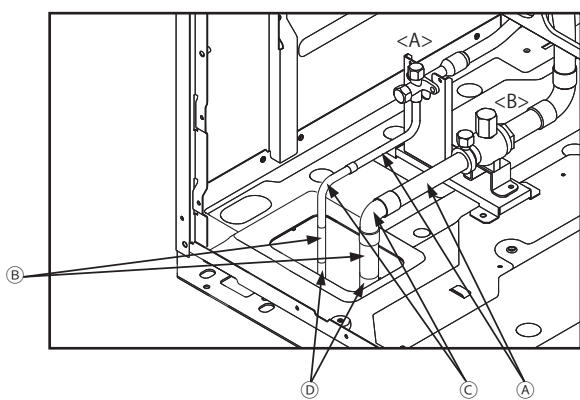
<Refrigerant piping connection examples>

- Obtain joints and elbows on site as necessary according to the pipe diameter, and connect the pipes as shown in the figures below.

(1) When routing the pipes through the front of the unit



(2) When routing the pipes through the bottom of the unit



- <A> Liquid side
- <B> Gas side
- Ⓐ Refrigerant service valve piping
- Ⓑ Reducer etc.
- Ⓒ Elbow
- Ⓓ On-site piping



<Reference> Size of refrigerant pipes

		On-site piping [mm (in)]		Service valve piping [mm (in)]	
		Liquid	Gas	Liquid	Gas
P200		ø9.52 (ø3/8)	ø22.2 (ø7/8)	ø9.52 (ø3/8)	ø22.2(Φ7/8)
P250	*1	ø9.52 (ø3/8)			
	*2	ø12.7 (ø1/2)			
P300	*3	ø9.52 (ø3/8)			
	*4*6	ø12.7 (ø1/2)			
P350		ø12.7 (ø1/2)	ø28.58 (ø1-1/8)	ø12.7(Φ1/2)	ø28.58 (ø1-1/8)
P400	*5	ø12.7 (ø1/2)			
	*6	ø15.88 (ø5/8)			
P450		ø15.88 (ø5/8)			
P500		ø15.88 (ø5/8)			

		On-site piping [mm (in)]		Service valve piping [mm (in)]	
		Liquid	Gas	Liquid	Gas
EP200		ø9.52 (ø3/8)	ø22.2 (ø7/8)	ø9.52 (ø3/8)	ø22.2(Φ7/8)
EP250	*1	ø9.52 (ø3/8)			
	*2	ø12.7 (ø1/2)			
EP300	*3	ø9.52 (ø3/8)			
	*4*6	ø12.7 (ø1/2)			
EP350		ø12.7 (ø1/2)	ø28.58 (ø1-1/8)	ø12.7(Φ1/2)	ø28.58 (ø1-1/8)
EP400	*5	ø12.7 (ø1/2)			
	*6	ø15.88 (ø5/8)			
EP450		ø15.88 (ø5/8)			
EP500		ø15.88 (ø5/8)			

\*1 When the piping length from the outdoor unit to the farthest indoor unit is less than 90 m (295 ft)

\*2 When the piping length from the outdoor unit to the farthest indoor unit is 90 m (295 ft) or more

\*3 When the piping length from the outdoor unit to the farthest indoor unit is less than 40 m (131 ft)

\*4 When the piping length from the outdoor unit to the farthest indoor unit is 40 m (131 ft) or more

\*5 When the unit is used alone

\*6 When the unit is used in combination with other outdoor units

- When expanding the on-site piping, satisfy the minimum insertion depth requirement as follows.

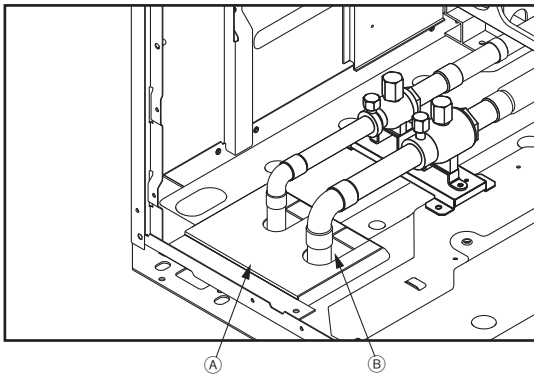
Pipe size [mm (in)]	Minimum insertion depth [mm (in)]
ø5 (ø1/4) or more, less than ø8 (ø3/8)	6 (1/4)
ø8 (ø3/8) or more, less than ø12 (ø1/2)	7 (5/16)
ø12 (ø1/2) or more, less than ø16 (ø11/16)	8 (3/8)
ø16 (ø11/16) or more, less than ø25 (ø1)	10 (7/16)
ø25 (ø1) or more, less than ø35 (ø1-7/16)	12 (1/2)
ø35 (ø1-7/16) or more, less than ø45 (ø1-13/16)	14 (9/16)

### 9-5-3. Sealing the openings around the pipes

#### **! WARNING**

Seal all openings around pipes and wires to keep out small animals, rainwater, or snow.

- Failure to do so may result in current leakage, electric shock, or damage to the unit.



- Ⓐ Example of closure materials (not supplied)
- Ⓑ Fill the openings

### 9-6. Air-tightness test

#### **! WARNING**

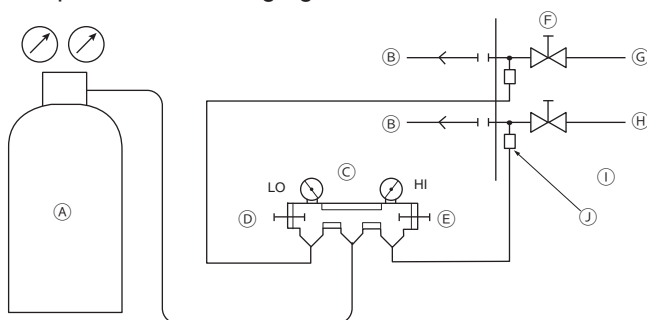
Do not use oxygen, flammable gas, or a refrigerant containing chlorine for air-tightness testing.

- Doing so may result in an explosion. Chlorine will deteriorate the refrigerant oil.

After refrigerant pipe installation is completed, check the system for leaks by conducting an air-tightness test. If there is a leak, the composition of the refrigerant will change and the performance will drop.

<Air-tightness test procedures>

- ① Make sure the service valves are closed.
- ② Add pressure to the refrigerant pipes through the service ports of the liquid and gas pipes.  
\* Pressurize to the design pressure (4.15 MPa) using nitrogen gas.
- ③ If the pressure holds for one day and does not decrease, the pipes have passed the test and there are no leaks. If the pressure decreases, there is a leak. Look for the source of the leak by spraying a bubbling agent (e.g., Gupoflex) on the flared or brazed sections.
- ④ Wipe off the bubbling agent.



- Ⓐ Nitrogen gas
- Ⓑ To indoor unit
- Ⓒ Gauge manifold
- Ⓓ Low pressure knob
- Ⓔ High pressure knob
- Ⓕ Service valve
- Ⓖ Liquid piping
- Ⓗ Gas piping
- Ⓘ Outdoor unit
- ⓵ Service port

## 9-7. Thermal insulation for pipes

### CAUTION

#### Insulate pipes to prevent condensation.

- Condensation may collect and drip from the unit onto the ceiling or floor.

Insulate the liquid and gas pipes separately with polyethylene foam insulation materials. Inadequate insulation may cause condensation to drip. Pipes in the ceiling are especially vulnerable to condensation and require adequate insulation.

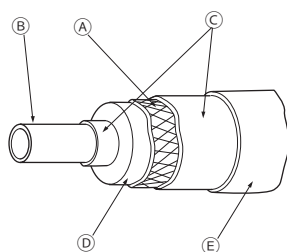
#### 9-7-1. Insulation material

- Check that the insulation materials meet the standards in the table below.

	Pipe size [mm (in)]	
	ø6.35 (ø1/4)–ø25.4 (ø1)	ø28.58 (ø1-1/8)–ø41.28 (ø1-5/8)
Thickness [mm (in)]	Min. 10 (7/16)	Min. 15 (5/8)
Heat resistance	Min. 120°C (248°F)	

\* The insulation thickness may need to be increased in high-temperature/humidity conditions.

\* Even when specifications are defined by your client, the standards in the table should be met.

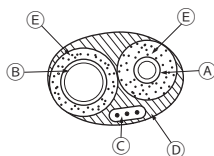
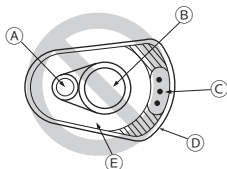


- (A) Steel wire
- (B) Pipe
- (C) Oily mastic asphalt or asphalt
- (D) Insulation material A
- (E) Outer covering B

Insulation material A	Glass fiber + Steel wire	
	Adhesive + Heat-resistant polyethylene foam + Adhesive tape	
Outer covering B	Indoor	Vinyl tape
	Under the floor and exposed	Waterproof hemp cloth + Bronze asphalt
	Outdoor	Waterproof hemp cloth + Zinc plate + Oily paint

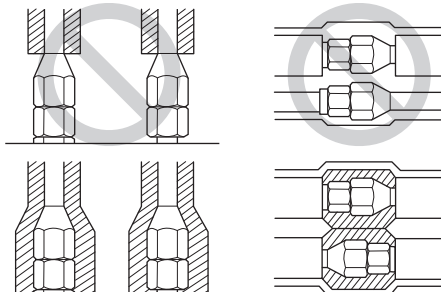
\* If a polyethylene cover is used as an outer covering, asphalt roofing is not necessary.

- Do not insulate the electric wires.



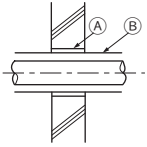
- (A) Liquid pipe
- (B) Gas pipe
- (C) Electric wire
- (D) Finishing tape
- (E) Insulation material

- Make sure that the pipe connections all the way from the indoor unit are properly insulated.

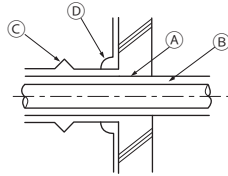


## 9-7-2. Insulation for the section of the pipe that goes through a wall

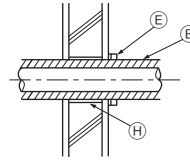
(1) Inner wall (concealed)



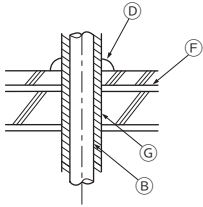
(2) Outer wall



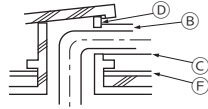
(3) Outer wall (exposed)



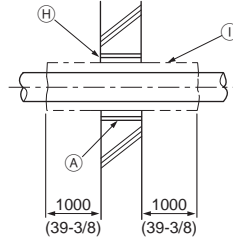
(4) Floor (waterproof)



(5) Rooftop pipe shaft



(6) Protecting the penetrating parts in a fire limit zone or through a parting wall



[mm (in)]

- (A) Sleeve
- (B) Insulation material
- (C) Lagging
- (D) Caulking material
- (E) Band
- (F) Waterproof layer
- (G) Sleeve with a flange
- (H) Caulk with a nonflammable material such as mortar.
- (I) Nonflammable insulation material

- When caulking the gaps with mortar, cover the section of the pipe that goes through the wall with a metal sheet to prevent the insulation material from sagging. For this section, use nonflammable insulation and covering materials. (Vinyl tape should not be used.)

## 9-8. Evacuation of the system

### **! WARNING**

**Do not purge the air using refrigerant. Use a vacuum pump to evacuate the system.**

- Residual gas in the refrigerant lines will cause bursting of the pipes or an explosion.

### **CAUTION**

**Use a vacuum pump with a check valve.**

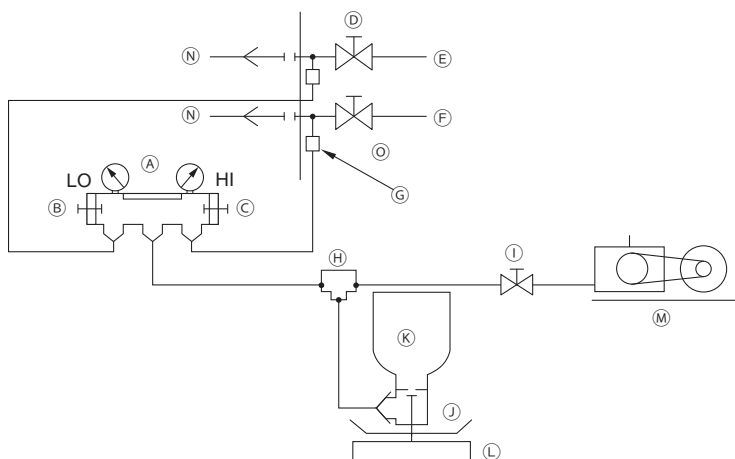
- If the vacuum pump oil flows back into the refrigerant lines, the refrigerant oil may deteriorate and the compressor may malfunction.

#### <Evacuation procedures>

- ① Evacuate the system from both service ports, using a vacuum pump with the service valves closed.
- ② After the vacuum reaches 650 Pa, continue evacuation for at least one hour.
- ③ Stop the vacuum pump and leave it for an hour.
- ④ Verify that the vacuum has not increased by more than 130 Pa.
- ⑤ If the vacuum has increased by more than 130 Pa, water infiltration is suspected. Pressurize the system with dry nitrogen gas up to 0.05 MPa. Repeat ① though ⑤ until the vacuum is increased by 130 Pa or below. If the results persist, then perform the "Triple Evacuation" below.

#### <Triple Evacuation>

- ① Evacuate the system to 533 Pa from both service ports, using a vacuum pump.
- ② Pressurize the system with dry nitrogen gas up to 0 Pa from the discharge service port.
- ③ Evacuate the system to 200 Pa from the suction service port, using a vacuum pump.
- ④ Pressurize the system with dry nitrogen gas up to 0 Pa from the discharge service port.
- ⑤ Evacuate the system from both service ports, using a vacuum pump.
- ⑥ After the vacuum reaches 66.7 Pa, stop the vacuum pump and leave it for an hour. A vacuum of 66.7 Pa must be maintained for at least one hour.
- ⑦ Verify that the vacuum has not increased for at least 30 minutes.



- Ⓐ Gauge manifold
- Ⓑ Low pressure knob
- Ⓒ High pressure knob
- Ⓓ Service valve
- Ⓔ Liquid piping
- Ⓕ Gas piping
- Ⓖ Service port
- Ⓗ Three-way joint
- Ⓘ Valve (vacuum pump)
- Ⓝ Valve (for charging refrigerant)
- Ⓚ Refrigerant tank
- Ⓛ Scale
- Ⓜ Vacuum pump
- Ⓝ To indoor unit
- Ⓞ Outdoor unit

- Use a scale that can measure down to 0.1 kg (0.1 oz).
- Recommended vacuum gauge: ROBINAIR 14830A Thermistor Vacuum Gauge or Micron Gauge
- Do not use a gauge manifold to measure the vacuum pressure.
- Use a vacuum pump capable of attaining a vacuum of 65 Pa (abs) within five minutes of operation.

## 9-9. Additional refrigerant charge

### CAUTION

#### Charge refrigerant in a liquid state.

- Charging refrigerant in the gaseous state will change the composition of the refrigerant and lead to a performance drop.

#### Do not use a charging cylinder when charging refrigerant.

- The use of a charging cylinder may change the composition of the refrigerant and lead to a performance drop.

The table below summarizes the factory-charged amount of refrigerant, the maximum amount of refrigerant to be added on site, and the maximum total amount of refrigerant in the system.

Unit model	Factory-charged amount	Maximum amount to be added on site	Maximum total amount in the system	[kg (oz)]			
				Unit model	Factory-charged amount	Maximum amount to be added on site	Maximum total amount in the system
P200YNW-A	6.5 (230)	15.9 (561)	22.4 (791)	EP200YNW-A	6.5 (230)	15.9 (561)	22.4 (791)
P250YNW-A	6.5 (230)	22.9 (809)	29.4 (1039)	EP250YNW-A	6.5 (230)	22.9 (808)	29.4 (1038)
P300YNW-A	6.5 (230)	23.4 (825)	29.9 (1054)	EP300YNW-A	6.5 (230)	23.4 (826)	29.9 (1055)
P350YNW-A	9.8 (346)	24.0 (845)	33.8 (1191)	EP350YNW-A	9.8 (346)	24.0 (845)	33.8 (1191)
P400YNW-A	9.8 (346)	24.4 (861)	34.2 (1207)	EP400YNW-A	10.8 (381)	24.3 (858)	35.1 (1239)
P450YNW-A	10.8 (381)	32.2 (1135)	43.0 (1516)	EP450YNW-A	10.8 (381)	32.2 (1135)	43.0 (1516)
P500YNW-A	10.8 (381)	33.1 (1167)	43.9 (1548)	EP500YNW-A	10.8 (381)	33.1 (1167)	43.9 (1548)
P400YSNW-A	13.0 (459)	32.0 (1128)	45.0 (1586)	EP400YSNW-A	13.0 (459)	32.0 (1128)	45.0 (1586)
P450YSNW-A	13.0 (459)	32.0 (1128)	45.0 (1586)	EP450YSNW-A	13.0 (459)	32.0 (1128)	45.0 (1586)
P500YSNW-A	13.0 (459)	32.9 (1159)	45.9 (1618)	EP500YSNW-A	13.0 (459)	32.9 (1159)	45.9 (1618)
P550YSNW-A	13.0 (459)	34.7 (1223)	47.7 (1681)	EP550YSNW-A	13.0 (459)	34.7 (1225)	47.7 (1683)
P600YSNW-A	13.0 (459)	34.7 (1223)	47.7 (1681)	EP600YSNW-A	13.0 (459)	34.7 (1225)	47.7 (1683)
P650YSNW-A	16.3 (575)	35.2 (1243)	51.5 (1818)	EP650YSNW-A	17.3 (611)	35.1 (1239)	52.4 (1850)
P700YSNW-A	19.6 (692)	44.8 (1581)	64.4 (2272)	EP700YSNW-A	19.6 (692)	44.8 (1581)	64.4 (2272)
P750YSNW-A	19.6 (692)	44.8 (1581)	64.4 (2272)	EP750YSNW-A	20.6 (727)	44.7 (1577)	65.3 (2304)
P800YSNW-A	20.6 (727)	44.7 (1577)	65.3 (2304)	EP800YSNW-A	20.6 (727)	44.7 (1577)	65.3 (2304)
P850YSNW-A	20.6 (727)	46.5 (1641)	67.1 (2367)	EP850YSNW-A	21.6 (762)	46.4 (1637)	68.0 (2399)
P900YSNW-A	21.6 (762)	46.4 (1637)	68.0 (2399)	EP900YSNW-A	21.6 (762)	46.4 (1637)	68.0 (2399)
P950YSNW-A	26.1 (921)	45.9 (1621)	72.0 (2542)	EP950YSNW-A	26.1 (921)	45.9 (1621)	72.0 (2542)
P1000YSNW-A	26.1 (921)	45.9 (1621)	72.0 (2542)	EP1000YSNW-A	27.1 (956)	45.8 (1618)	72.9 (2574)
P1050YSNW-A	26.1 (921)	45.9 (1621)	72.0 (2542)	EP1050YSNW-A	28.1 (992)	45.7 (1614)	73.8 (2605)
P1100YSNW-A	29.4 (1038)	45.6 (1610)	75.0 (2647)	EP1100YSNW-A	30.4 (1073)	45.5 (1606)	75.9 (2678)
P1150YSNW-A	29.4 (1038)	45.6 (1610)	75.0 (2647)	EP1150YSNW-A	31.4 (1108)	45.4 (1602)	76.8 (2710)
P1200YSNW-A	29.4 (1038)	45.6 (1610)	75.0 (2647)	EP1200YSNW-A	32.4 (1143)	45.3 (1599)	77.7 (2742)
P1250YSNW-A	30.4 (1073)	47.3 (1669)	77.7 (2742)	EP1250YSNW-A	32.4 (1143)	47.1 (1662)	79.5 (2805)
P1300YSNW-A	31.4 (1108)	47.2 (1666)	78.6 (2774)	EP1300YSNW-A	32.4 (1143)	47.1 (1662)	79.5 (2805)
P1350YSNW-A	32.4 (1143)	47.1 (1662)	79.5 (2805)	EP1350YSNW-A	32.4 (1143)	47.1 (1662)	79.5 (2805)

Both refrigerant overcharge and undercharge will cause problems. Charge the system with the proper amount of refrigerant.

Record the added refrigerant amount on the label attached to the control box panel for future servicing.

## 9-9-1. Calculation of the amount of additional refrigerant

- The amount of refrigerant to be added depends on the size and the total length of the liquid piping.
- Calculate the amount of refrigerant to be charged according to the formula below.
- Round up the calculation result to the nearest 0.1 kg (0.1 oz).

### (1) Units "m" and "kg"

<Formula>

- When the piping length from the outdoor unit to the farthest indoor unit is 30.5 m (100 ft) or shorter

$$\text{Amount of additional charge (kg)} = \begin{matrix} \text{ø19.05 total length} \\ \times 0.29 \text{ (kg/m)} \end{matrix} + \begin{matrix} \text{ø15.88 total length} \\ \times 0.2 \text{ (kg/m)} \end{matrix} + \begin{matrix} \text{ø12.7 total length} \\ \times 0.12 \text{ (kg/m)} \end{matrix} + \begin{matrix} \text{ø9.52 total length} \\ \times 0.06 \text{ (kg/m)} \end{matrix} + \begin{matrix} \text{ø6.35 total length} \\ \times 0.024 \text{ (kg/m)} \end{matrix}$$

Outdoor unit model	Amount (kg)	Total capacity of connected indoor units	Amount (kg)
(E)P200	0	80 or below	2.0
(E)P250	0	81 to 160	2.5
(E)P300	0	161 to 330	3.0
(E)P350	0	331 to 390	3.5
(E)P400	0	391 to 480	4.5
(E)P450	0	481 to 630	5.0
(E)P500	0	631 to 710	6.0
		711 to 800	8.0
		801 to 890	9.0
		891 to 1070	10.0
		1071 to 1250	12.0
		1251 or above	14.0

\* Amount of refrigerant to be charged for single-module units

- When the piping length from the outdoor unit to the farthest indoor unit is longer than 30.5 m (100 ft)

$$\text{Amount of additional charge (kg)} = \begin{matrix} \text{ø19.05 total length} \\ \times 0.26 \text{ (kg/m)} \end{matrix} + \begin{matrix} \text{ø15.88 total length} \\ \times 0.18 \text{ (kg/m)} \end{matrix} + \begin{matrix} \text{ø12.7 total length} \\ \times 0.11 \text{ (kg/m)} \end{matrix} + \begin{matrix} \text{ø9.52 total length} \\ \times 0.054 \text{ (kg/m)} \end{matrix} + \begin{matrix} \text{ø6.35 total length} \\ \times 0.021 \text{ (kg/m)} \end{matrix}$$

Outdoor unit model	Amount (kg)	Total capacity of connected indoor units	Amount (kg)
(E)P200	0	80 or below	2.0
(E)P250	0	81 to 160	2.5
(E)P300	0	161 to 330	3.0
(E)P350	0	331 to 390	3.5
(E)P400	0	391 to 480	4.5
(E)P450	0	481 to 630	5.0
(E)P500	0	631 to 710	6.0
		711 to 800	8.0
		801 to 890	9.0
		891 to 1070	10.0
		1071 to 1250	12.0
		1251 or above	14.0

\* Amount of refrigerant to be charged for single-module units

\* When connecting PEFY-P50/63/71/80VMHS2-E, add 2.7 kg of refrigerant per indoor unit.

\* When connecting LEV kit (PAC-LV11M-J), additional refrigerant charge may be required. Contact your dealer for details.

<Example>

Outdoor unit model: P300

Total capacity of connected indoor units: 361

\* Refer to the pipe connection examples in section 9-4 for the pipes marked with the letters below.

A : ø12.7; 40 m

B : ø9.52; 10 m

C : ø9.52; 15 m

D : ø9.52; 10 m

a : ø9.52; 10 m

b : ø9.52; 5 m

c : ø6.35; 10 m

d : ø6.35; 10 m

e : ø9.52; 10 m

The total length of each liquid piping is as follows:

∅12.7 total length: 40 (A)

∅9.52 total length: 10 (B) + 15 (C) + 10 (D) + 10 (a) + 5 (b) + 10 (e) = 60

∅6.35 total length: 10 (c) + 10 (d) = 20

Therefore, when the piping length from the outdoor unit to the farthest indoor unit is longer than 30.5 m (100 ft),

$$\begin{aligned} \text{Amount of additional charge} &= (40 \times 0.11) + (60 \times 0.054) + (20 \times 0.021) + 0 + 3.5 \\ &= 11.6 \text{ kg (Fractions are rounded up.)} \end{aligned}$$

## (2) Units "ft" and "oz"

<Formula>

- When the piping length from the outdoor unit to the farthest indoor unit is 30.5 m (100 ft) or shorter

$$\text{Amount of additional charge (oz)} = \begin{matrix} \text{∅3/4 total length} \\ \times 3.1 \text{ (oz/ft)} \end{matrix} + \begin{matrix} \text{∅5/8 total length} \\ \times 2.15 \text{ (oz/ft)} \end{matrix} + \begin{matrix} \text{∅1/2 total length} \\ \times 1.29 \text{ (oz/ft)} \end{matrix} + \begin{matrix} \text{∅3/8 total length} \\ \times 0.65 \text{ (oz/ft)} \end{matrix} + \begin{matrix} \text{∅1/4 total length} \\ \times 0.26 \text{ (oz/ft)} \end{matrix}$$

Outdoor unit model	Amount (oz)	Total capacity of connected indoor units	Amount (oz)
(E)P200	0	80 or below	71
(E)P250	0	81 to 160	89
(E)P300	0	161 to 330	106
(E)P350	0	331 to 390	124
(E)P400	0	391 to 480	160
(E)P450	0	481 to 630	177
(E)P500	0	631 to 710	212
		711 to 800	283
		801 to 890	318
		891 to 1070	353
		1071 to 1250	424
		1251 or above	494

\* Amount of refrigerant to be charged for single-module units

- When the piping length from the outdoor unit to the farthest indoor unit is longer than 30.5 m (100 ft)

$$\text{Amount of additional charge (oz)} = \begin{matrix} \text{∅3/4 total length} \\ \times 2.80 \text{ (oz/ft)} \end{matrix} + \begin{matrix} \text{∅5/8 total length} \\ \times 1.94 \text{ (oz/ft)} \end{matrix} + \begin{matrix} \text{∅1/2 total length} \\ \times 1.19 \text{ (oz/ft)} \end{matrix} + \begin{matrix} \text{∅3/8 total length} \\ \times 0.58 \text{ (oz/ft)} \end{matrix} + \begin{matrix} \text{∅1/4 total length} \\ \times 0.23 \text{ (oz/ft)} \end{matrix}$$

Outdoor unit model	Amount (oz)	Total capacity of connected indoor units	Amount (oz)
(E)P200	0	80 or below	71
(E)P250	0	81 to 160	89
(E)P300	0	161 to 330	106
(E)P350	0	331 to 390	124
(E)P400	0	391 to 480	160
(E)P450	0	481 to 630	177
(E)P500	0	631 to 710	212
		711 to 800	283
		801 to 890	318
		891 to 1070	353
		1071 to 1250	424
		1251 or above	494

\* Amount of refrigerant to be charged for single-module units

\* When connecting PEFY-P50/63/71/80VMHS2-E, add 96 oz of refrigerant per indoor unit.

\* When connecting LEV kit (PAC-LV11M-J), additional refrigerant charge may be required. Contact your dealer for details.

<Example>

Outdoor unit model: P300

Total capacity of connected indoor units: 361

\* Refer to the pipe connection examples in section 9-4 for the pipes marked with the letters below.

A : ∅1/2; 131 ft

B : ∅3/8; 32 ft

C : ∅3/8; 49 ft

D : ∅3/8; 32 ft

a : ∅3/8; 32 ft

b : ∅3/8; 16 ft

c : ∅1/4; 32 ft

d : ∅1/4; 32 ft



e :  $\varnothing 3/8$ ; 32 ft

The total length of each liquid piping is as follows:

$\varnothing 1/2$  total length: 131 (A)

$\varnothing 3/8$  total length: 32 (B) + 49 (C) + 32 (D) + 32 (a) + 16 (b) + 32 (e) = 193

$\varnothing 1/4$  total length: 32 (c) + 32 (d) = 64

Therefore, when the piping length from the outdoor unit to the farthest indoor unit is longer than 30.5 m (100 ft),

Amount of additional charge =  $(131 \times 1.19) + (193 \times 0.58) + (64 \times 0.23) + 0 + 124$   
 = 406.6 oz (Fractions are rounded up.)

## 9-9-2. Charging additional refrigerant

Charge the calculated amount of refrigerant in the liquid state to the unit through the service port after the completion of piping work. Upon completion of all work, securely tighten all service port caps and shaft caps to prevent refrigerant leakage.

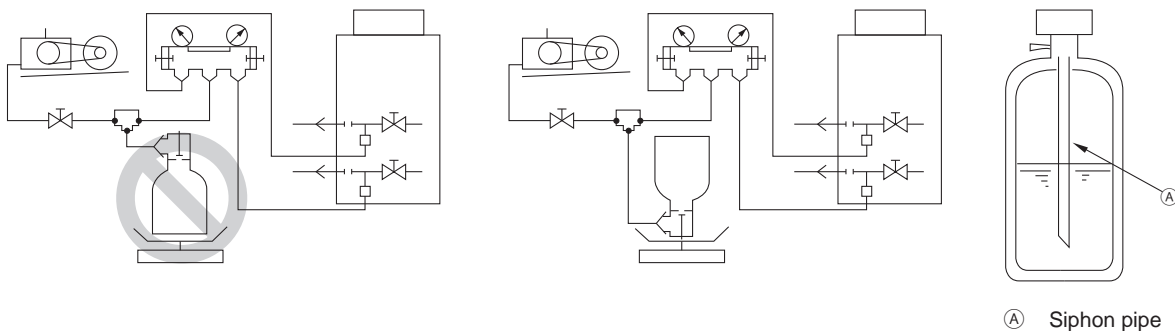
GB

<Notice>

- Do not vent the refrigerant into the atmosphere.
- Refer to the table below for the appropriate tightening torque.

Pipe size [mm (in)]	Shaft cap (N·m)	Shaft (N·m)	Size of hexagonal wrench [mm (in)]	Service port cap (N·m)
$\varnothing 9.52$ ( $\varnothing 3/8$ )	22	-	-	12
$\varnothing 12.7$ ( $\varnothing 1/2$ )	27	-	-	
$\varnothing 15.88$ ( $\varnothing 5/8$ )	32	-	-	
$\varnothing 22.2$ ( $\varnothing 7/8$ )	22	-	-	16
$\varnothing 28.58$ ( $\varnothing 1-1/8$ )	22	-	-	16

- If the refrigerant tank does not have a siphon pipe, charge the liquid refrigerant with the tank upside-down as shown in the figure below.



Ⓐ Siphon pipe

- After evacuation and refrigerant charging, ensure that the service valves are fully open. Do not operate the unit with the service valves closed.

# 10. Electrical work

---

## **WARNING**

**Electrical work must be performed by qualified personnel in accordance with local regulations and the instructions provided in this manual. Only use the specified cables and dedicated circuits.**

- Inadequate power source capacity or improper electrical work will result in electric shock, malfunction, or fire.
- 

**Proper grounding must be provided by qualified personnel.**

- Improper grounding may result in electric shock, fire, explosion, or malfunction due to electrical noise. Do not connect the ground wire to gas or water pipes, lightning rods, or telephone ground wires.

## 10-1. Before electrical work

- When performing electrical work, refer to the indoor unit or controller installation manuals as well.
- Bear in mind ambient conditions (ambient temperature, direct sunlight, rain water, etc.) when proceeding with the wiring and connections.
- When opening or closing the front panel of the control box, do not let it come into contact with any of the internal components.
- Specific wiring requirements should adhere to the wiring regulations of the region.
- Include some slack in the wiring for the control box on the indoor and outdoor units, because these boxes are sometimes removed at the time of service work.

## 10-2. Power cables and device capacity

### **WARNING**

**Include some slack in the power cables.**

- Failure to do so may break or overheat the cables, resulting in smoke or fire.
- 

**Install an inverter circuit breaker on the power supply of each unit.**

- Failure to do so may result in electric shock or fire.
- 

**Only use properly rated breakers (an earth leakage breaker, local switch <a switch + fuse that meets local electrical codes>, or overcurrent breaker).**

- Failure to do so may result in electric shock, malfunction, smoke, or fire.
- 

**Only use standard power cables of sufficient capacity.**

- Failure to do so may result in current leakage, overheating, smoke, or fire.
- 

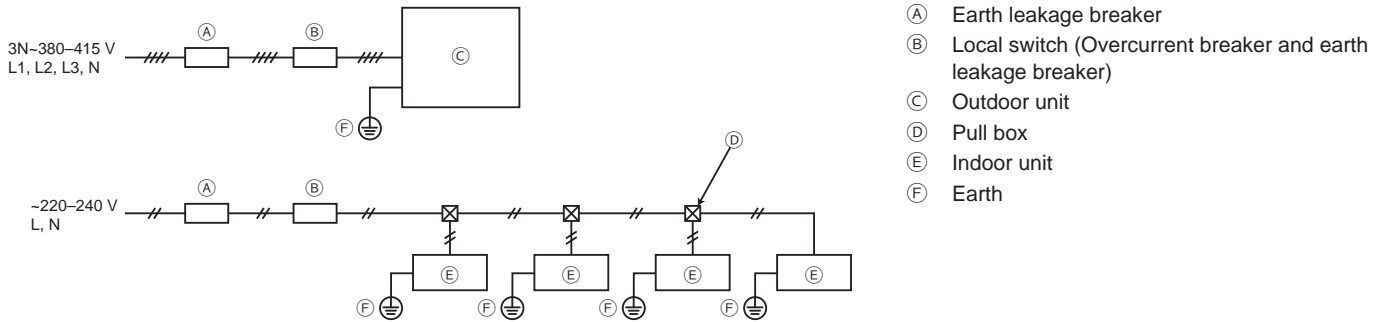
**Tighten all terminal screws to the specified torque.**

- Loose screws and contact failure may result in smoke or fire.
- 

### **CAUTION**

**If a large electric current flows due to a malfunction or faulty wiring, earth-leakage breakers on the unit side and on the upstream side of the power supply system could both operate. Depending on the importance of the system, separate the power supply system or take protective coordination of breakers.**

• Wiring example



- (A) Earth leakage breaker
- (B) Local switch (Overcurrent breaker and earth leakage breaker)
- (C) Outdoor unit
- (D) Pull box
- (E) Indoor unit
- (F) Earth

- Be sure to use the appropriate type of overcurrent breaker. Note that generated overcurrent may include some amount of direct current.
- Select the type of breaker for an inverter circuit as an earth leakage breaker. (Mitsubishi Electric NV-S series or its equivalent)
- The earth leakage breaker should be used in combination with a local switch.
- Use a local switch with at least 3 mm (1/8 in) contact separation in each pole.
- Do not connect the power cables L1, L2, and L3 to N. Ensure the correct phase sequence.
- If the power cable is damaged, it must be replaced by the manufacturer, its service agent or similarly qualified persons in order to avoid a hazard.
- Use dedicated power cables for the outdoor unit and indoor unit. Ensure OC and OS are wired individually.
- Power cable size, device capacity, and system impedance  
(If local regulations do not specify the minimum power cable size or device capacity, follow the values in the table below.)

		Minimum size [mm <sup>2</sup> (AWG)]			Earth leakage breaker	Local switch (A)		Overcurrent breaker (NFB) (A)	Maximum allowable system impedance
		Power cable	Power cable after branching point	Earth wire		Capacity	Fuse		
Outdoor unit	(E)P200	4.0 (12)	–	4.0 (12)	30 A 100 mA 0.1 sec. or less	25	25	30	*3
	(E)P250	4.0 (12)	–	4.0 (12)	30 A 100 mA 0.1 sec. or less	32	32	30	*3
	(E)P300	4.0 (12)	–	4.0 (12)	30 A 100 mA 0.1 sec. or less	32	32	30	*3
	(E)P350	6.0 (10)	–	6.0 (10)	40 A 100 mA 0.1 sec. or less	40	40	40	0.27 Ω
	(E)P400	10.0 (8)	–	10.0 (8)	60 A 100 mA 0.1 sec. or less	63	63	60	0.22 Ω
	(E)P450	10.0 (8)	–	10.0 (8)	60 A 100 mA 0.1 sec. or less	63	63	60	0.19 Ω
	(E)P500	10.0 (8)	–	10.0 (8)	60 A 100 mA 0.1 sec. or less	63	63	60	0.16 Ω
Total operating current of the indoor units	F0 ≤ 16 A *1	1.5 (16)	1.5 (16)	1.5 (16)	20 A current sensitivity *2	16	16	20	(IEC 61000-3-3)
	F0 ≤ 25 A *1	2.5 (14)	2.5 (14)	2.5 (14)	30 A current sensitivity *2	25	25	30	(IEC 61000-3-3)
	F0 ≤ 32 A *1	4.0 (12)	4.0 (12)	4.0 (12)	40 A current sensitivity *2	32	32	40	(IEC 61000-3-3)

\*1 Use the larger value of F1 or F2 as the value of F0.

F1 = Total of each indoor unit's maximum current × 1.2

F2 = {V1 × (Quantity of Type 1)/C} + {V1 × (Quantity of Type 2)/C} + {V1 × (Quantity of Type 3)/C} + {V1 × (Quantity of Type 4)/C}

\*2 Current sensitivity is calculated using the following formula.

G1 = (V2 × Quantity of Type 1) + (V2 × Quantity of Type 2) + (V2 × Quantity of Type 3) + (V2 × Quantity of Type 4) + (V3 × Power cable length (km))

\*3 Meets technical requirements of IEC 61000-3-3.

Indoor unit		V1	V2
Type 1	PLFY-VBM, PMFY-VBM, PEFY-VMS, PCFY-VKM, PKFY-VHM, PKFY-VKM, PFFY-VKM, PFFY-VLRMM	18.6	2.4
Type 2	PEFY-VMA	38	1.6
Type 3	PEFY-VMHS	13.8	4.8
Type 4	Indoor unit other than the above	0	0

"C" is multiples of the tripping current at 0.01 s.

Obtain the value of "C" from the tripping characteristic of the breaker that is used on site.

<Example of "F2" calculation>

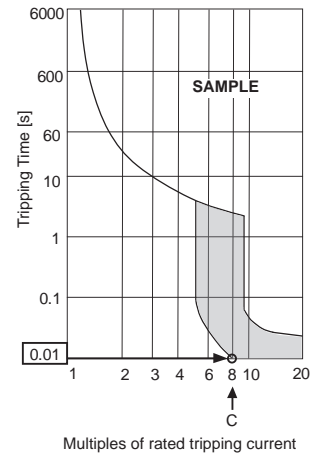
Conditions: PEFY-VMS × 4 units, PEFY-VMA × 1 unit, "C" = 8 (See the sample chart.)

$$F2 = 18.6 \times 4/8 + 38 \times 1/8$$

$$= 14.05$$

→ Use a 16 A type breaker. (Tripping current = 8 × 16 A at 0.01 s)

Sample chart



Power cable size [mm <sup>2</sup> (AWG)]	V3
1.5 (16)	48
2.5 (14)	56
4.0 (12)	66

G1	Current sensitivity
30 mA or less	30 mA 0.1 sec or less
100 mA or less	100 mA 0.1 sec or less

- The wire size is the minimum value for metal conduit wiring. If the voltage drops, use a wire that is one size thicker in diameter. Make sure the power-supply voltage does not drop more than 10%. Make sure that the voltage imbalance between the phases is 2% or less.
- Power supply cords of parts of appliances for outdoor use shall not be lighter than polychloroprene sheathed flexible cord (design 60245 IEC57). For example, use wiring such as YZW.
- This unit is intended for the connection to a power supply system with a maximum permissible system impedance shown in the above table at the interface point (power service box) of the user's supply.
- The user must ensure that this unit is connected only to a power supply system which fulfils the requirement above.  
If necessary, the user can ask the public power supply company for the system impedance at the interface point.
- This unit complies with IEC 61000-3-12 provided that the short-circuit power  $S_{sc}$  is greater than or equal to  $S_{sc}^{*1}$  at the interface point between the user's supply and the public system. It is the responsibility of the installer or user of the equipment to ensure, by consultation with the distribution network operator if necessary, that the equipment is connected only to a supply with a short-circuit power  $S_{sc}$  greater than or equal to  $S_{sc}^{*1}$ .

\*1  $S_{sc}$

Model	$S_{sc}$ (MVA)
P200	1.25
P250	1.38
P300	1.76
P350	2.05
P400	2.48
P450	2.88
P500	3.39

Model	$S_{sc}$ (MVA)
EP200	1.25
EP250	1.27
EP300	1.58
EP350	1.87
EP400	2.19
EP450	2.62
EP500	3.17

## 10-3. Control cable specifications

- Transmission cable

Type	2-core shielded cable CVVS, CPEVS, or MVVS
Size	1.25 mm <sup>2</sup> (AWG 16), or ø1.2 mm or above
Length	Max. 200 m (656 ft)
Remarks	The maximum allowable length of transmission cables via outdoor units (both centralized control transmission cables and indoor-outdoor transmission cables) is 500 m (1640 ft)*1. The maximum allowable length of transmission cables from the power supply unit to each outdoor unit or to the system controller is 200 m (656 ft).

\* Do not use a single multiple-core cable to connect indoor units that belong to different refrigerant systems. The use of a multiple-core cable may result in signal transmission errors and malfunctions.

\* Ensure shield continuity when extending the transmission cable.

\*1 When extending the length of the transmission cables to 1000 m (3280 ft), consult your dealer.

- Remote controller cable

	ME remote controller cable	MA remote controller cable
Type	2-core sheathed cable (unshielded) CVV	
Size	0.3–1.25 mm <sup>2</sup> (AWG 22–16) (0.75–1.25 mm <sup>2</sup> (AWG 18–16) if a simple remote controller is connected)	
Length	Max. 10 m (32 ft) * If the length exceeds 10 m (32 ft), use a 1.25 mm <sup>2</sup> (AWG 16) shielded cable.	Max. 200 m (656 ft)

## 10-4. System configuration

- Unit code and the maximum number of connectable units

Unit type		Code	Number of connectable units
Outdoor unit	Main unit	OC	–
	Sub unit	OS1, OS2	–
Indoor unit		IC	1 to 26 units per OC
Remote controller		RC	0 to 2 units per group
Transmission booster unit		RP	0 to 1 unit per OC

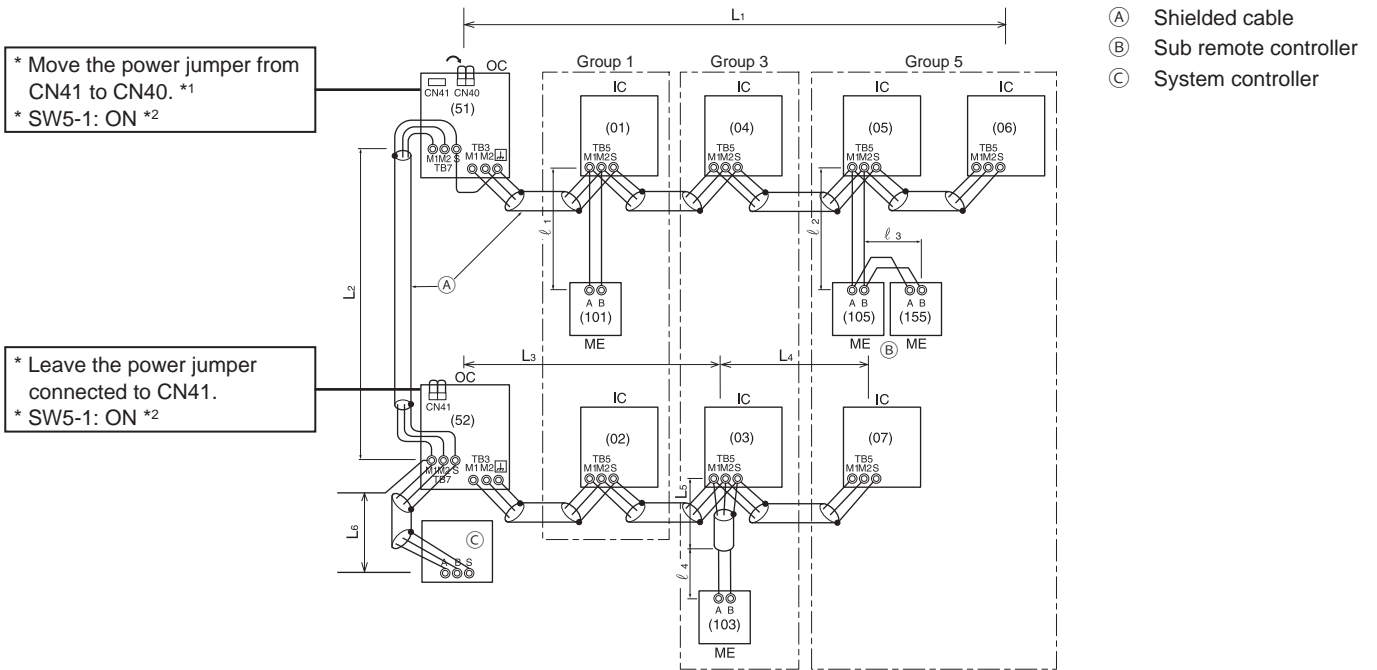
\* A transmission booster may be required depending on the number of connected indoor units.

\* The outdoor units in the same refrigerant circuit are automatically designated as OC, OS1, and OS2. The outdoor units are designated as OC, OS1, and OS2 in the order of capacity from large to small (if two or more units have the same capacity, in the order of address from small to large).

• System configuration example

\* The numbers in the parentheses in the figures below indicate address numbers.

(1) When ME remote controllers are connected



\*1 When a power supply unit is not connected to the centralized control transmission cable, move the power jumper from CN41 to CN40 on only one of the outdoor units.

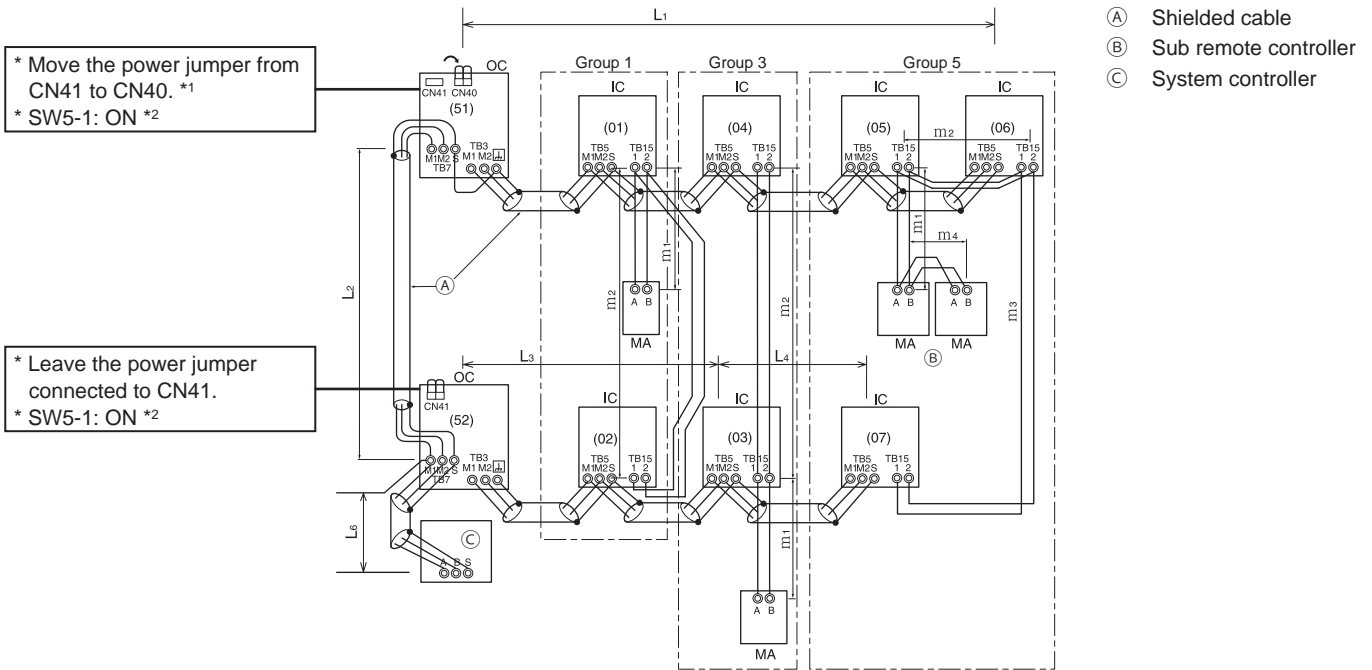
\*2 If a system controller is used, set SW5-1 on ALL of the outdoor units to ON.

Maximum allowable length of control cables

Transmission cables via outdoor units	$L_1 + L_2 + L_3 + L_4, L_1 + L_2 + L_3 + L_5, L_1 + L_2 + L_6 \leq 500 \text{ m (1640 ft)}^3$
Transmission cables	$L_1, L_3 + L_4, L_3 + L_5, L_6, L_2 + L_6 \leq 200 \text{ m (656 ft)}$
Remote controller cables	$l_1, l_2, l_3, l_4 \leq 10 \text{ m (32 ft)}$ * If the length exceeds 10 m (32 ft), the length that exceeds 10 m (32 ft) needs to be included in the maximum allowable length of transmission cables above.

\*3 When extending the length of the transmission cables to 1000 m (3280 ft), consult your dealer.

(2) When MA remote controllers are connected



\*1 When a power supply unit is not connected to the centralized control transmission cable, move the power jumper from CN41 to CN40 on only one of the outdoor units.

\*2 If a system controller is used, set SW5-1 on ALL of the outdoor units to ON.

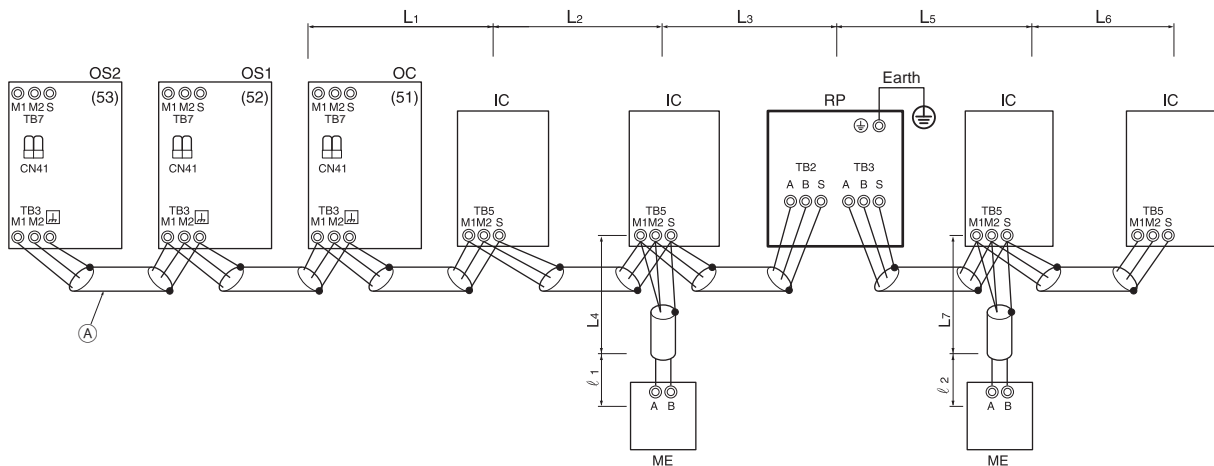
\*3 When a PAR-31MAA is connected to a group, no other MA remote controllers can be connected to the same group.

Maximum allowable length of control cables

Transmission cables via outdoor units	$L_1 + L_2 + L_3 + L_4$ , $L_1 + L_2 + L_6 \leq 500 \text{ m (1640 ft)}^4$
Transmission cables	$L_1$ , $L_3 + L_4$ , $L_6$ , $L_2 + L_6 \leq 200 \text{ m (656 ft)}$
Remote controller cables	$m_1 + m_2$ , $m_1 + m_2 + m_3 + m_4 \leq 200 \text{ m (656 ft)}$

\*4 When extending the length of the transmission cables to 1000 m (3280 ft), consult your dealer.

(3) When a transmission booster unit is connected



(A) Shielded cable

\*1 Daisy-chain terminals (TB3) on outdoor units together in the same refrigerant system.

\*2 Leave the power jumper connected to CN41.

Maximum allowable length of control cables

Transmission cables	$L_1 + L_2 + L_3 + L_5 + L_6$ , $L_1 + L_2 + L_3 + L_5 + L_7$ , $L_1 + L_2 + L_4$ , $L_6 + L_5 + L_3 + L_4$ , $L_4 + L_3 + L_5 + L_7 \leq 200 \text{ m (656 ft)}$
Remote controller cables	$l_1$ , $l_2 \leq 10 \text{ m (32 ft)}$ * If the length exceeds 10 m (32 ft), the length that exceeds 10 m (32 ft) needs to be included in the maximum allowable length of transmission cables above.

## 10-5. Wiring connections in the control box

### **! WARNING**

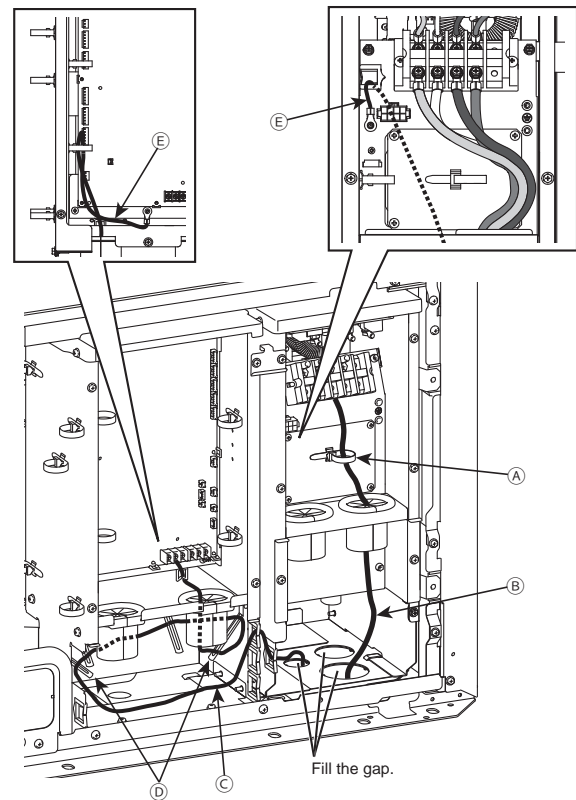
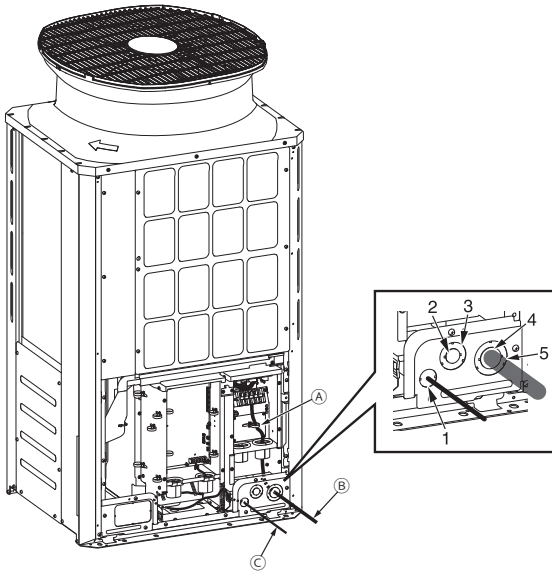
Connections must be made securely and without tension on the terminals.

- Improperly connected cables may break, overheat, or cause smoke or fire.

### 10-5-1. Threading power cable through the knockout hole

- Open the front panel when performing wiring work.
- Punch out the knockout holes at the bottom of the front panel or base with a hammer. Use the appropriate knockout hole according to the size of the power cable, referring to the table below.

- (1) When routing the wiring through the front of the unit      (2) When routing the wiring through the bottom of the unit



Power cable size (mm <sup>2</sup> )	Knockout hole to be used
2, 3.5, 5.5	Knockout hole 2
8, 14	Knockout hole 4
21, 26, 33	Knockout hole 3
84, 67, 53	Knockout hole 5

- (A) Cable strap
- (B) Power cable
- (C) Transmission cable  
The length of the section after the cable access hole must be at least 1100 mm (43 in).
- (D) Clamp
- (E) Ground wire that connects Main Box and Inverter Box



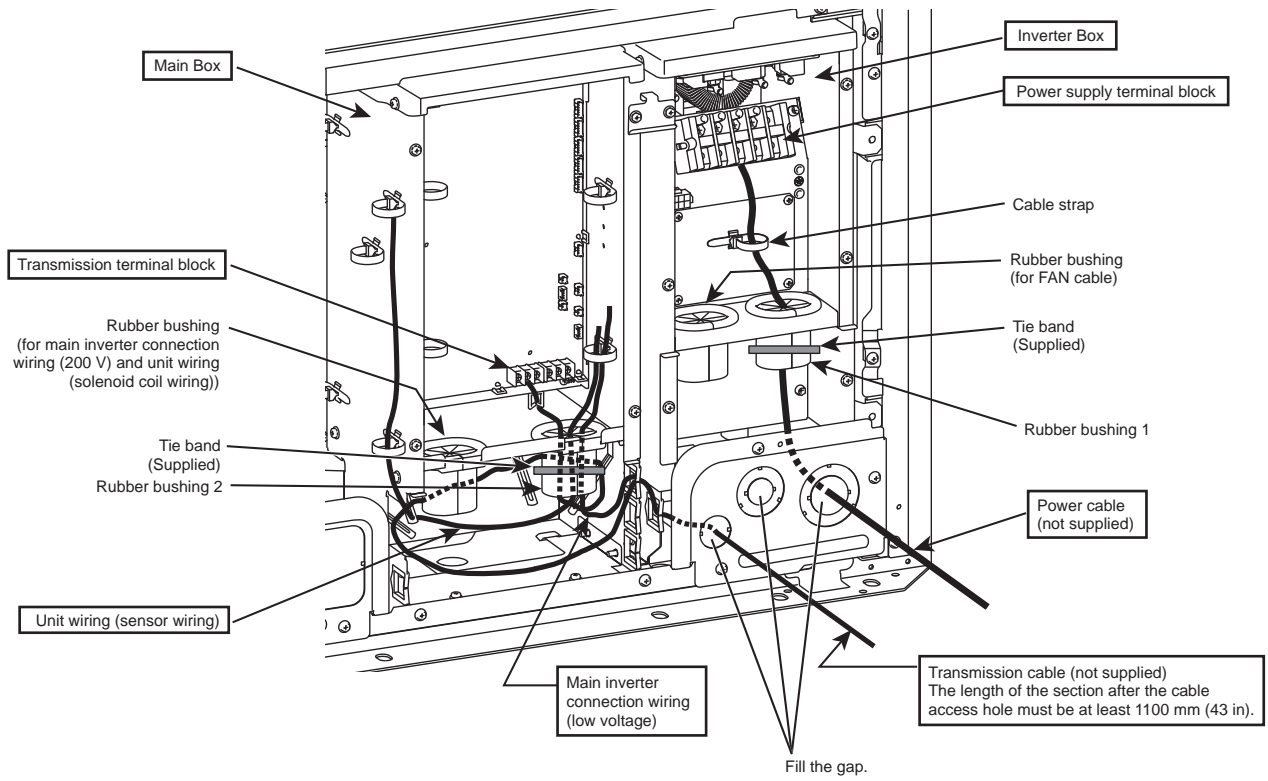
<Notice>

- Do not remove the ground wire that connects Main Box and Inverter Box.
- Install the transmission cable as shown in the figure above so that the cable is long enough for the Main Box to be moved for servicing.
- If there are any gaps around the power cable and transmission cable, please be sure to fill these in with a suitable material to prevent snow from entering, which may cause damage to the electrical parts, and to protect your hands from direct contact with cables.
- When putting the power cable through the knockout hole without using a conduit tube, deburr the hole and protect the power cable with protective tape.
- Use a conduit tube to narrow down the opening if there is a possibility of small animals entering the unit.
- When taking the conduit tube out from the bottom part of the unit, caulk around the tube opening to prevent water infiltration.

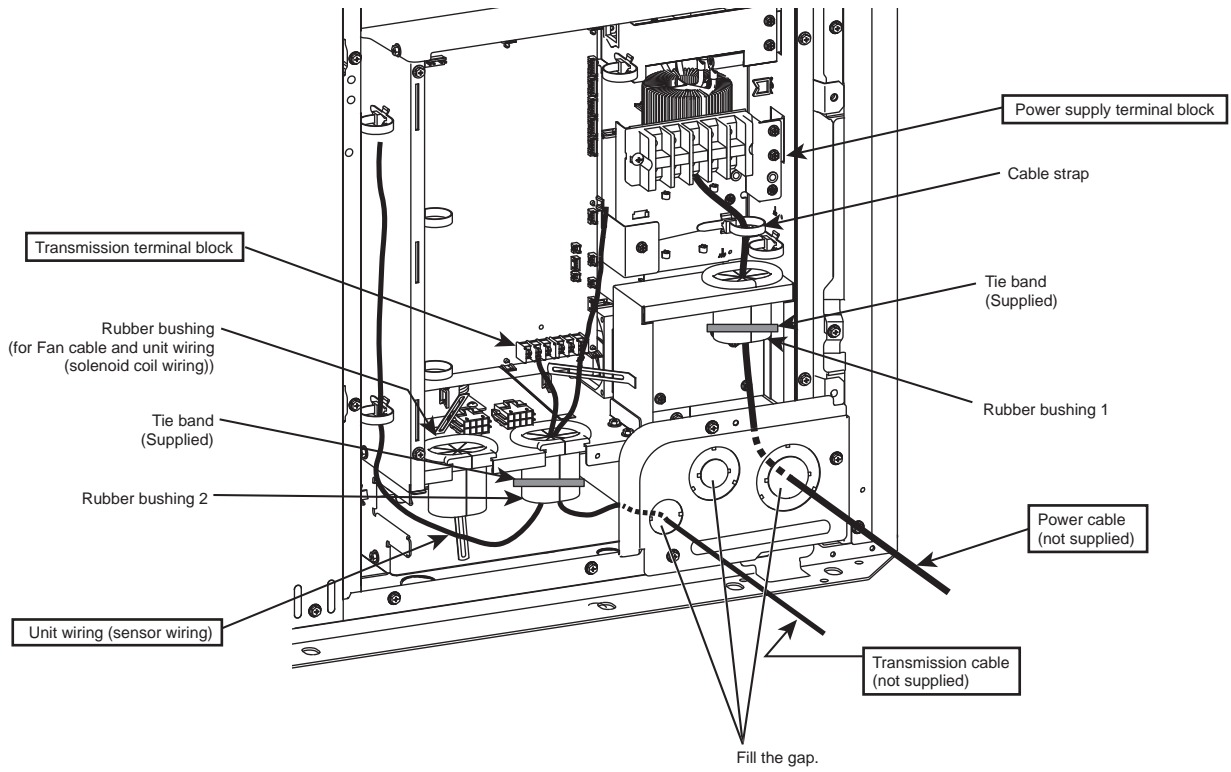
## 10-5-2. Fixing the cables in place

Route the cables as shown in the figures below.

• (E)P200 to 300



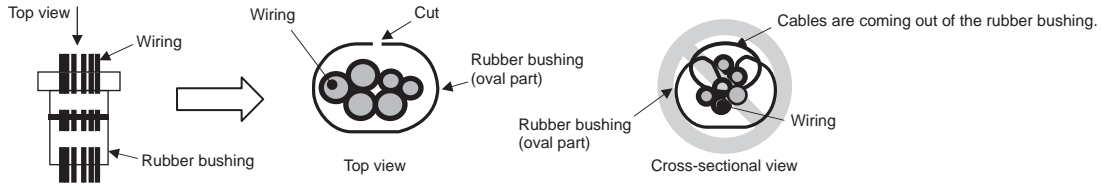
• (E)P350 to 500



Take the procedure below.

- ① Thread the power cable through the rubber bushing 1. (See \*1 and \*2 below.)
- ② Thread the unit wiring (sensor wiring) and the transmission cable through the rubber bushing 2. (See \*1 and \*2 below.)
- ③ Hold the power cable and the transmission cable in place respectively with the cable straps.
- ④ Secure each rubber bushing with the supplied tie band. (See \*3 below.)

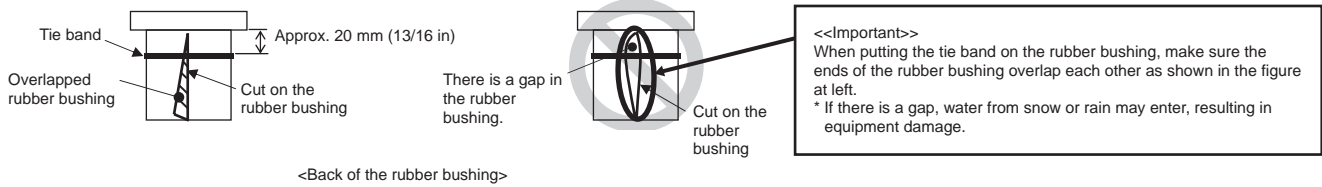
\*1 Make sure the cables are not coming out of the rubber bushing cut.



\*2 When threading the wiring through the rubber bushing, make sure the rubber bushing will not come off the sheet metal on the control box.



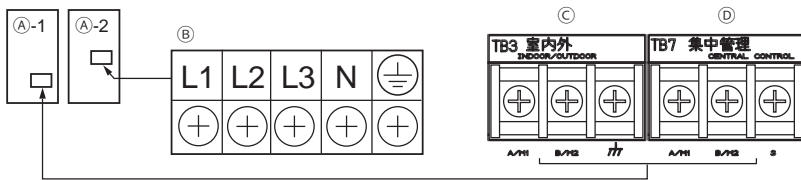
\*3 When tying the supplied tie band around the rubber bushing, make sure to leave no gap between the ends.



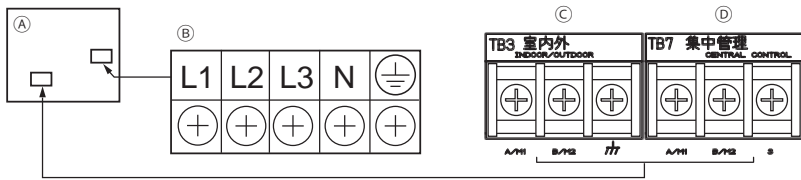
<Back of the rubber bushing>

### 10-5-3. Connecting the cables

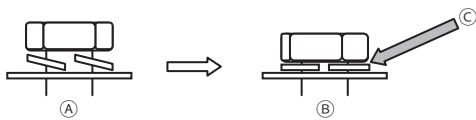
PUHY-(E)P200 to 300YNW-A



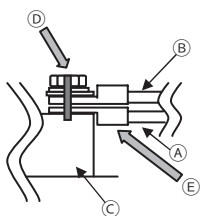
PUHY-(E)P350 to 500YNW-A



- (A) Control box
- (B) Power supply terminal block (TB1)
- (C) Terminal block for indoor-outdoor transmission cable (TB3)
- (D) Terminal block for centralized control transmission cable (TB7)



- (A) Terminal block with loose screws
- (B) Properly installed terminal block
- (C) Spring washers must be parallel to the terminal block.



- (A) Power cables, transmission cables
- (B) Daisy-chain (transmission cables only)
- (C) Terminal blocks (TB1, TB3, TB7)
- (D) Make an alignment mark.
- (E) Install the ring terminals back to back.

#### <Notice>

- Connect the cables respectively to the power supply terminal block and the transmission terminal block. Erroneous connection does not allow the system to operate.
- Never connect the power cable to the transmission terminal block. If connected, electrical parts will be damaged.
- Transmission cables should be (5 cm (2 in) or more) apart from the power cable so that it is not influenced by electric noise from the power cable. (Do not put the transmission cables and the power cable in the same conduit.)
- Follow the tightening torque for each screw type as shown below. Be careful not to use excessive torque as this could damage the screw.  
Terminal block (TB1 (M6 screw)): 2.5–2.9 [N·m]  
Terminal block (TB3, TB7 (M3.5 screw)): 0.82–1.0 [N·m]
- When tightening the screws, do not push the driver strongly to avoid damaging the screw.
- Make an alignment mark with a permanent marker across the screw head, washer, and terminal after tightening the screws.

Take the procedure below to connect the cables.

- ① Connect the indoor-outdoor transmission cable to TB3.  
If multiple outdoor units are connected to the same refrigerant system, daisy-chain TB3 (M1, M2, earth) on the outdoor units. The indoor-outdoor transmission cable to the indoor unit should be connected to TB3 (M1, M2, earth) of only one of the outdoor units. Connect the shield to the earth terminal.
- ② Connect the centralized control transmission cables (between the centralized control system and the outdoor units of different refrigerant systems) to TB7.  
If multiple outdoor units are connected to the same refrigerant system, daisy-chain TB7 (M1, M2, S) on all outdoor units.\*1 Connect the shield to the S terminal.  
\*1 If TB7 on the outdoor units in the same refrigerant system are not daisy-chained, connect the centralized control transmission cable to TB7 on the OC. If the OC is out of order, or if centralized control is being conducted during a power supply shut-off, daisy-chain TB7 on the OC, OS1 and OS2. (In the case that the outdoor unit whose power jumper CN41 on the control board has been replaced with CN40 is out of order or the power is shut-off, centralized control will not be conducted even when TB7 is daisy-chained.)
- ③ When a power supply unit is not connected to the centralized control transmission cable, move the power jumper from CN41 to CN40 on the control board (main board) on only one of the outdoor units.

- ④ On the outdoor unit whose power jumper was moved from CN41 to CN40, short circuit the S terminal and the earth terminal.
- ⑤ Connect terminals M1 and M2 of the transmission terminal block on the indoor unit that has the lowest address in the group to the terminal block on the remote controller.
- ⑥ When a system controller is connected, set SW5-1 on all outdoor units to ON.
- ⑦ Fix the cables securely in place with the cable strap below the terminal block.

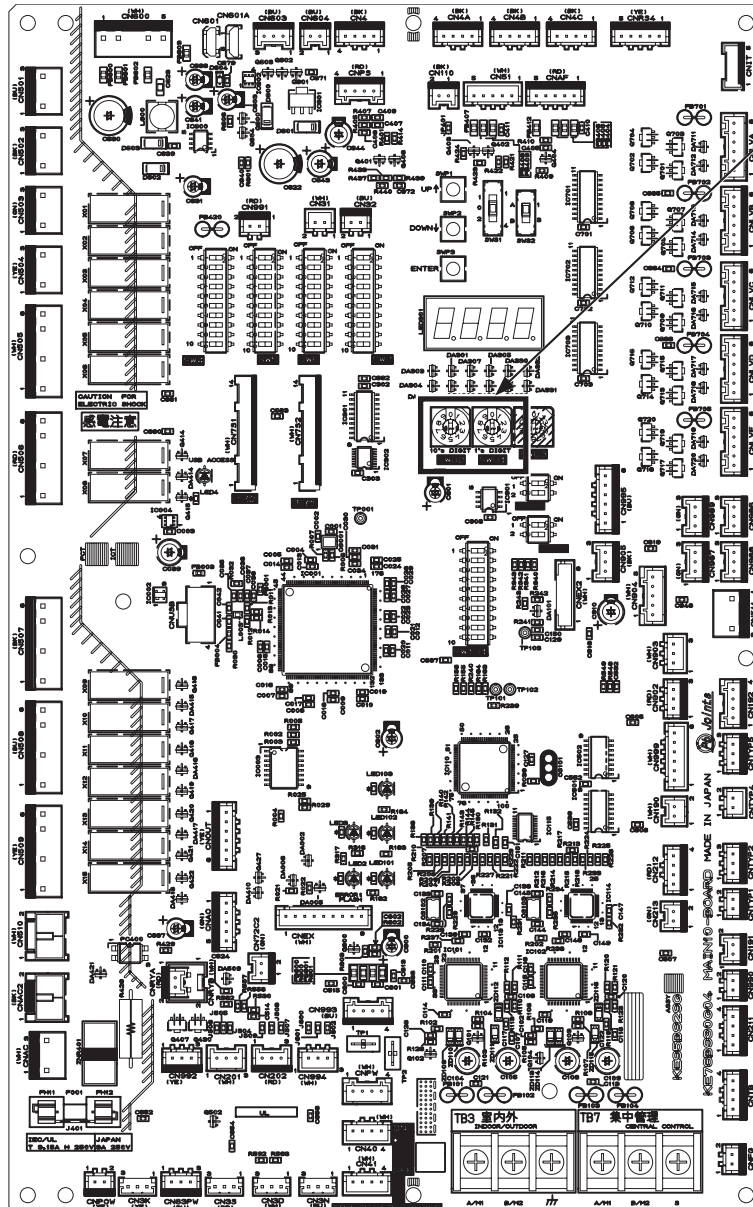
## 10-6. Address setting

- Set the address setting switch as follows.

		Address setting method	Address
Indoor unit (Main, Sub)		Assign the lowest address to the main indoor unit in the group, and assign sequential addresses to the rest of the indoor units in the same group.	01 to 50
Outdoor unit (OC, OS1, OS2)		Assign sequential addresses to the outdoor units in the same refrigerant system. * To set the address to 100, the address setting switch must be set to 50.	51 to 100
ME remote controller	Main	Assign an address that equals the address of the main indoor unit in the group plus 100.	101 to 150
	Sub	Assign an address that equals the address of the main indoor unit in the group plus 150.	151 to 200
MA remote controller		Address setting is not required. (The Main/Sub setting is required.)	—

\* The outdoor units in the same refrigerant circuit are automatically designated as OC, OS1, and OS2. The outdoor units are designated as OC, OS1, and OS2 in the order of capacity from large to small (if two or more units have the same capacity, in the order of address from small to large).

\* Make indoor unit group settings from remote controllers after turning on the power to all units.



Address setting switch (Outdoor units)

# 11. Test run

---

## 11-1. Before a test run

### CAUTION

**After the wiring work has been completed, measure the insulation resistance, and make sure that it reads at least 1 MΩ.**

- Failure to do so may result in electric leakage, malfunction, or fire.

**Turn on the power at least 12 hours before starting operation. Keep the power turned on throughout the operating season.**

- Insufficient energizing will result in malfunction.

- Before performing a test run, turn off the power to the outdoor unit, and disconnect the power cable from the power supply terminal block to measure the insulation resistance.
- Measure the insulation resistance between the power supply terminal block and the earth with a 500 V ohmmeter, and make sure it is at least 1 MΩ.
- If the insulation resistance is 1 MΩ or above, connect the power cable to the power supply terminal, and turn on the power at least 12 hours before starting operation. If the insulation resistance is below 1 MΩ, do not operate the unit, and check the compressor for a earth fault.
- While the unit is turned on, the compressor will remain energized even when it is stopped.
- The insulation resistance between the power supply terminal block and the earth may drop to near 1 MΩ immediately after installation or when the main power to the unit has been turned off for a long time because of the stagnation of refrigerant in the compressor.
- By turning on the main power and energizing the unit for 12 hours or longer, the refrigerant in the compressor will evaporate and the insulation resistance will rise.
- Do not apply an ohmmeter voltage to the terminal block for transmission cables. Doing so will damage the control board.
- Do not measure the insulation resistance of the transmission terminal block of the unit remote controller.
- Check for refrigerant leakage and for loose power cables and transmission cables.
- Check that the liquid and gas side service valves are fully open. Tighten the valve caps.
- Check the phase order of the power supply and the interphase voltage. If the voltage is out of the  $\pm 10\%$  range, or if the voltage imbalance is more than 2%, discuss the countermeasure with the customer.
- When a transmission booster unit is connected, turn on the transmission booster unit before turning on the outdoor unit. If the outdoor unit is turned on first, the refrigerant circuit connection information will not be properly verified. If the outdoor unit is turned on first, turn on the transmission booster unit and then power reset the outdoor unit.
- When a power supply unit is connected to the centralized control transmission cable, or when power is supplied from a system controller with a power-supply function, perform a test run with the power supply unit being energized. Leave the power jumper connected to CN41.
- When power is turned on or after power recovery, performance may degrade for approximately 30 minutes.

## 11-2. Function setting

Make function settings by setting the dipswitches SW4, SW6, and SWP3 on the main board.

Write down the switch settings on the electrical wiring diagram label on the control box front panel for future reference when the control box needs to be replaced.

- Take the following steps to make snow sensor settings. (Snow sensor control will not function when the outdoor temperature sensor (TH7) reading is 6°C (43°F) or above.)

- ① Set the 10th bit of SW6 to ON.
- ② Set SW4 as shown in the table below to select the setting item No.933 or 934. (The setting item No. will be displayed on LED1.)
- ③ Press SWP3 for two seconds or longer to change the settings. (The settings can be checked on LED3.)

	Setting item No.	SW4 0: OFF, 1: ON *1										Setting (LED3 display) *2	
		1	2	3	4	5	6	7	8	9	10	Unlit	Lit
Snow sensor setting	933	1	0	1	0	0	1	0	1	1	1	No. 934 ineffective	No. 934 effective
	934	0	1	1	0	0	1	0	1	1	1	Continuous fan operation	Intermittent fan operation

\*1 Make the SW4 setting after the unit is energized.

\*2 This will blink while the system is starting up.

- Make various function settings by setting SW5 and SW6, referring to the table below.

	Setting content	Setting		Switch setting timing
		OFF	ON	
SW5-1	Centralized control switch	Without connection to the centralized controller	With connection to the centralized controller	Before being energized
SW5-2	Deletion of connection information	Normal control	Deletion	Before being energized
SW5-3	—	Preset before shipment		—
SW5-4	—			—
SW5-5	—			—
SW5-6	—			—
SW5-7	—			—
SW5-8	—	—	—	

	Setting content	Setting		Switch setting timing
		OFF	ON	
SW6-1	—	—	—	—
SW6-2	—	—	—	—
SW6-3	—	—	—	—
SW6-4	High static pressure setting	Refer to *1.	Refer to *1.	Before being energized
SW6-5				
SW6-6	—	—	—	—
SW6-7	Low-noise mode selection	Performance priority	Low-noise priority	Any time after being energized
SW6-8	Selection of Low-noise or Demand	Low-noise (Night)	Demand	Before being energized
SW6-9	Selection of Diagnostic display or Function detail setting	Refer to *2.	Refer to *2.	Any time after being energized
SW6-10				

\* Do not change the factory settings of SW5-3 through SW5-8.

\* Unless otherwise specified, leave the switch to OFF where indicated by "—," which may be set to OFF for a reason.

\*1

	SW6-5: ON	SW6-5: OFF
SW6-4: ON	80 Pa	60 Pa
SW6-4: OFF	30 Pa	0 Pa

\*2

	SW6-10: ON	SW6-10: OFF
SW6-9: ON	LED (round type) No. 0 to 1023	LED (7seg) No. 1024 to 2047
SW6-9: OFF	Function setting No. 0 to 1023	LED (7seg) No. 0 to 1023

### 11-3. Operation characteristics in relation to the refrigerant charge

It is important to have a clear understanding of the characteristics of refrigerant and the operation characteristics of air conditioners before attempting to adjust the refrigerant charge in a given system.

- During cooling operation, the amount of refrigerant in the accumulator is the smallest when all indoor units are in operation.
- During heating operation, the amount of refrigerant in the accumulator is the largest when all indoor units are in operation.
- Refrigerant undercharge creates a tendency for the discharge temperature to rise.
- Changing the amount of refrigerant in the system while there is refrigerant in the accumulator has little effect on the discharge temperature.
- The higher the high pressure level, the more likely it is for the discharge temperature to rise.
- The lower the low pressure level, the more likely it is for the discharge temperature to rise.
- When the amount of refrigerant in the system is adequate, the compressor shell temperature is 10 to 60°C (50 to 140°F) higher than the low-pressure saturation temperature. If the temperature difference between the compressor shell temperature and low-pressure saturation temperature is 5°C (41°F) or less, refrigerant overcharge is suspected.

### 11-4. Operation check

The following symptoms are normal and do not indicate a problem.

Events	Display on remote controller	Cause
A specific indoor unit is not performing the cooling or heating operation.	"Cool" or "Heat" blinks.	Other indoor units in the same refrigerant system are already operated in a different mode.
The auto vane automatically switches air flow direction.	Normal display	The auto vane may switch over to horizontal air flow operation from vertical air flow operation in cooling mode if the vertical air flow operation has been running for one hour. At defrost in heating mode or immediately after heating start-up/shutdown, the auto vane automatically switches to horizontal air flow for a short time.
The fan speed automatically changes during heating operation.	Normal display	The fan operates at Very Low speed when the thermostat is turned off, and automatically changes over to the preset speed according to the timer setting or refrigerant temperature when the thermostat is turned on.
The fan stops during heating operation.	"Defrost"	The fan remains stopped during the defrost cycle.
The fan keeps running after the unit has stopped.	No display	After the unit has stopped during heating operation, the fan operates for one minute to exhaust heat.
At the beginning of heating operation, the fan cannot be manually set.	"Stand By"	The fan operates at Very Low speed for five minutes after heating operation starts or until the refrigerant temperature reaches 35°C (95°F), then the fan operates at Low speed for two minutes, and finally the fan operates at the preset speed.
When the main power is turned on, the display as shown right appears on the remote controller for about five minutes.	"HO" or "PLEASE WAIT" blinks.	The system is starting up. Wait until "HO" or "PLEASE WAIT" stops blinking and goes off then try again.
The drain pump keeps running after the unit has stopped.	No display	The drain pump remains in operation for three minutes after the unit in cooling mode has stopped. The drain pump goes into operation when drain water is detected, even when the unit is stopped.
The indoor unit emits noise when switching from heating to cooling and vice versa.	Normal display	This is a normal sound of the refrigerant circuit operating properly.
Immediately after startup, the indoor unit emits the sound of refrigerant flowing.	Normal display	Unstable flow of the refrigerant produces a sound. This is temporary and does not imply a problem.
Warm air comes from an indoor unit that is not performing the heating operation.	Normal display	The LEV is slightly open for preventing any refrigerant, inside of the indoor unit that is not performing the heating operation, from being liquefied. This does not imply a problem.
Drain water comes out of the outdoor unit from the bottom part of the heat exchanger.	No display	This ensures proper drainage of drain water in case the drain water freezes and remains in the outdoor unit during the heating operation at low ambient temperature.



# 12. Inspection and maintenance

---

## **WARNING**

**Only qualified personnel must relocate or repair the unit. Do not attempt to disassemble or alter the unit.**

- Failure to do so will result in refrigerant leakage, water leakage, serious injury, electric shock, or fire.
- While the unit is turned on, the compressor will remain energized even when it is stopped. Before inspecting the inside of the control box, turn off the power, keep the unit off for at least 10 minutes, and confirm that the capacitor voltage at the connector (RYPN) has dropped to 20 VDC or less. (It takes about 10 minutes to discharge electricity after the power supply is turned off.)
- Control boxes house high-voltage and high-temperature electrical parts. They may still remain energized or hot after the power is turned off.
- Perform the service after disconnecting the connectors (RYFAN1 and RYFAN2).  
(To plug or unplug connectors, check that the outdoor unit fan is not rotating and that the voltage is 20 VDC or below. The capacitor may collect a charge and cause an electric shock when the outdoor unit fan rotates in windy conditions. Refer to the wiring nameplate for details.)  
Reconnect the connectors (RYFAN1 and RYFAN2) after servicing.
- Unit components may be damaged after long use of the unit, resulting in a performance drop or the unit becoming a safety hazard. To use the unit safely and maximize its life, it is recommended that a maintenance contract with a dealer or qualified personnel be signed. If the contract is signed, service technicians will periodically inspect the unit to identify any damage at an early stage, and take appropriate measures.
- When the outdoor unit is installed on the waterproof sheet, the sheet may become dirty due to the copper component seeped out from the unit. In this case, installing a drain pan for centralized drainage is recommended.

# 13. Rating plate information

## (1) P models

Model	P200YNW-A	P250YNW-A	P300YNW-A	P350YNW-A	P400YNW-A	P450YNW-A	P500YNW-A
Unit combination	–	–	–	–	–	–	–
Refrigerant (R410A)	6.5 kg	6.5 kg	6.5 kg	9.8 kg	9.8 kg	10.8 kg	10.8 kg
Allowable pressure (Ps)	HP: 4.15 MPa, LP: 2.21 MPa						
Net weight	225 kg	225 kg	228 kg	278 kg	278 kg	294 kg	337 kg

Model	P400YSNW-A		P450YSNW-A		P500YSNW-A		P550YSNW-A	
Unit combination	P200	P200	P250	P200	P250	P250	P300	P250
Refrigerant (R410A)	6.5 kg	6.5 kg	6.5 kg	6.5 kg	6.5 kg	6.5 kg	6.5 kg	6.5 kg
Allowable pressure (Ps)	HP: 4.15 MPa, LP: 2.21 MPa							
Net weight	225 kg	225 kg	225 kg	225 kg	225 kg	225 kg	228 kg	225 kg

Model	P600YSNW-A		P650YSNW-A		P700YSNW-A		P750YSNW-A	
Unit combination	P300	P300	P400	P250	P350	P350	P400	P350
Refrigerant (R410A)	6.5 kg	6.5 kg	9.8 kg	6.5 kg	9.8 kg	9.8 kg	9.8 kg	9.8 kg
Allowable pressure (Ps)	HP: 4.15 MPa, LP: 2.21 MPa							
Net weight	228 kg	228 kg	278 kg	225 kg	278 kg	278 kg	278 kg	278 kg

Model	P800YSNW-A		P850YSNW-A		P900YSNW-A	
Unit combination	P450	P350	P450	P400	P450	P450
Refrigerant (R410A)	10.8 kg	9.8 kg	10.8 kg	9.8 kg	10.8 kg	10.8 kg
Allowable pressure (Ps)	HP: 4.15 MPa, LP: 2.21 MPa					
Net weight	294 kg	278 kg	294 kg	278 kg	294 kg	294 kg

Model	P950YSNW-A			P1000YSNW-A		
Unit combination	P450	P250	P250	P400	P350	P250
Refrigerant (R410A)	10.8 kg	6.5 kg	6.5 kg	9.8 kg	9.8 kg	6.5 kg
Allowable pressure (Ps)	HP: 4.15 MPa, LP: 2.21 MPa					
Net weight	294 kg	225 kg	225 kg	278 kg	278 kg	225 kg

Model	P1050YSNW-A			P1100YSNW-A		
Unit combination	P400	P400	P250	P400	P350	P350
Refrigerant (R410A)	9.8 kg	9.8 kg	6.5 kg	9.8 kg	9.8 kg	9.8 kg
Allowable pressure (Ps)	HP: 4.15 MPa, LP: 2.21 MPa					
Net weight	278 kg	278 kg	225 kg	278 kg	278 kg	278 kg

Model	P1150YSNW-A			P1200YSNW-A		
Unit combination	P400	P400	P350	P400	P400	P400
Refrigerant (R410A)	9.8 kg	9.8 kg	9.8 kg	9.8 kg	9.8 kg	9.8 kg
Allowable pressure (Ps)	HP: 4.15 MPa, LP: 2.21 MPa					
Net weight	278 kg	278 kg	278 kg	278 kg	278 kg	278 kg

Model	P1250YSNW-A			P1300YSNW-A		
Unit combination	P450	P400	P400	P450	P450	P400
Refrigerant (R410A)	10.8 kg	9.8 kg	9.8 kg	10.8 kg	10.8 kg	9.8 kg
Allowable pressure (Ps)	HP: 4.15 MPa, LP: 2.21 MPa					
Net weight	294 kg	278 kg	278 kg	294 kg	294 kg	278 kg

Model	P1350YSNW-A		
Unit combination	P450	P450	P450
Refrigerant (R410A)	10.8 kg	10.8 kg	10.8 kg
Allowable pressure (Ps)	HP: 4.15 MPa, LP: 2.21 MPa		
Net weight	294 kg	294 kg	294 kg

## (2) EP models

Model	EP200YNW-A	EP250YNW-A	EP300YNW-A	EP350YNW-A	EP400YNW-A	EP450YNW-A	EP500YNW-A
Unit combination	–	–	–	–	–	–	–
Refrigerant (R410A)	6.5 kg	6.5 kg	6.5 kg	9.8 kg	10.8 kg	10.8 kg	10.8 kg
Allowable pressure (Ps)	HP: 4.15 MPa, LP: 2.21 MPa						
Net weight	231 kg	231 kg	235 kg	285 kg	305 kg	305 kg	342 kg

Model	EP400YSNW-A		EP450YSNW-A		EP500YSNW-A		EP550YSNW-A	
Unit combination	EP200	EP200	EP250	EP200	EP250	EP250	EP300	EP250
Refrigerant (R410A)	6.5 kg	6.5 kg	6.5 kg	6.5 kg	6.5 kg	6.5 kg	6.5 kg	6.5 kg
Allowable pressure (Ps)	HP: 4.15 MPa, LP: 2.21 MPa							
Net weight	231 kg	231 kg	231 kg	231 kg	231 kg	231 kg	235 kg	231 kg

Model	EP600YSNW-A		EP650YSNW-A		EP700YSNW-A		EP750YSNW-A	
Unit combination	EP300	EP300	EP400	EP250	EP350	EP350	EP400	EP350
Refrigerant (R410A)	6.5 kg	6.5 kg	10.8 kg	6.5 kg	9.8 kg	9.8 kg	10.8 kg	9.8 kg
Allowable pressure (Ps)	HP: 4.15 MPa, LP: 2.21 MPa							
Net weight	235 kg	235 kg	305 kg	231 kg	285 kg	285 kg	305 kg	285 kg

Model	EP800YSNW-A		EP850YSNW-A		EP900YSNW-A	
Unit combination	EP450	EP350	EP450	EP400	EP450	EP450
Refrigerant (R410A)	10.8 kg	9.8 kg	10.8 kg	10.8 kg	10.8 kg	10.8 kg
Allowable pressure (Ps)	HP: 4.15 MPa, LP: 2.21 MPa					
Net weight	305 kg	285 kg	305 kg	305 kg	305 kg	305 kg

Model	EP950YSNW-A			EP1000YSNW-A		
Unit combination	EP450	EP250	EP250	EP400	EP350	EP250
Refrigerant (R410A)	10.8 kg	6.5 kg	6.5 kg	10.8 kg	9.8 kg	6.5 kg
Allowable pressure (Ps)	HP: 4.15 MPa, LP: 2.21 MPa					
Net weight	305 kg	231 kg	231 kg	305 kg	285 kg	231 kg

Model	EP1050YSNW-A			EP1100YSNW-A		
Unit combination	EP400	EP400	EP250	EP400	EP350	EP350
Refrigerant (R410A)	10.8 kg	10.8 kg	6.5 kg	10.8 kg	9.8 kg	9.8 kg
Allowable pressure (Ps)	HP: 4.15 MPa, LP: 2.21 MPa					
Net weight	305 kg	305 kg	231 kg	305 kg	285 kg	285 kg

Model	EP1150YSNW-A			EP1200YSNW-A		
Unit combination	EP400	EP400	EP350	EP400	EP400	EP400
Refrigerant (R410A)	10.8 kg	10.8 kg	9.8 kg	10.8 kg	10.8 kg	10.8 kg
Allowable pressure (Ps)	HP: 4.15 MPa, LP: 2.21 MPa					
Net weight	305 kg	305 kg	285 kg	305 kg	305 kg	305 kg

Model	EP1250YSNW-A			EP1300YSNW-A		
Unit combination	EP450	EP400	EP400	EP450	EP450	EP400
Refrigerant (R410A)	10.8 kg	10.8 kg	10.8 kg	10.8 kg	10.8 kg	10.8 kg
Allowable pressure (Ps)	HP: 4.15 MPa, LP: 2.21 MPa					
Net weight	305 kg	305 kg	305 kg	305 kg	305 kg	305 kg

Model	EP1350YSNW-A		
Unit combination	EP450	EP450	EP450
Refrigerant (R410A)	10.8 kg	10.8 kg	10.8 kg
Allowable pressure (Ps)	HP: 4.15 MPa, LP: 2.21 MPa		
Net weight	305 kg	305 kg	305 kg

GB



## AIR CONDITIONER OUTDOOR UNIT

### MODEL

REFRIGERANT	R410A	kg
ALLOWABLE PRESSURE(Ps)	HP 4.15MPa (41.5bar) LP 2.21MPa (22.1bar)	
WEIGHT		kg
IP CODE		IP24
YEAR OF MANUFACTURE		

SERIAL No.

OPERATION	COOLING	HEATING
RATED VOLTAGE 3N- V	380   400   415	380   400   415
FREQUENCY Hz	50 / 60	50 / 60
CAPACITY kW kcal/h Btu/h		
RATED INPUT kW		
RATED CURRENT A		
MAX CURRENT A		
RATED CONDITION DB / WB °C	INDOOR 27 / 19 OUTDOOR 35 / 24	INDOOR 20 / - OUTDOOR 7 / 6

Contains fluorinated greenhouse gases.

MANUFACTURER:  
MITSUBISHI ELECTRIC  
CONSUMER PRODUCTS (THAILAND) CO., LTD.  
700/406 MOO 7, TAMBON DON HUA ROH,  
AMPHUR MUANG, CHONBURI 20000, THAILAND  
MADE IN THAILAND

---

This product is designed and intended for use in the residential, commercial and light-industrial environment.

The product at hand is based on the following EU regulations:

- Low Voltage Directive 2014/35/EU
- Electromagnetic Compatibility Directive 2014/30/EU
- Pressure Equipment Directive 2014/68/EU
- Machinery Directive 2006/42/EC

Please be sure to put the contact address/telephone number on this manual before handing it to the customer.

**MITSUBISHI ELECTRIC CORPORATION**

HEAD OFFICE: TOKYO BLDG., 2-7-3, MARUNOUCHI, CHIYODA-KU, TOKYO 100-8310, JAPAN