

Ururu streamer technology air purifier

Technical Data

MCK555A



TABLE OF CONTENTS

MCK555A

1	Features	4
	MCK555A	4
2	Specifications	5
3	Capacity tables	6
	Cooling/Heating Capacity Tables	6
4	Dimensional drawings	7
5	Wiring diagrams	8
	Wiring Diagrams - Single Phase	8

1 Features

1 - 1 MCK555A

Humidification and air purification in one

- 1 > Effectiveness against respiratory viruses evaluated by Institute Pasteur de Lille
- > Pure air thanks to Daikin 'Catch and Clean' approach in decomposing harmful substances
- > High performance electrostatic HEPA filter which doesn't clog easily, hence causes low pressure loss

- > One of the most silent Air Purifier range on the European market
- > No need to change the filter for ten years, resulting in low maintenance costs
- > Purifies the air in rooms up to 82m², perfect for large living areas



HUMIDIFY

Humidification



STREAMER

Flash Streamer

2 Specifications

2 - 1 Specifications

Technical specifications				MCK555AW	
Type				Humidifying air purifier	
Application				Floor standing type	
Casing	Colour			White (N9.0)	
Dimensions	Unit	Height	mm	700	
		Width	mm	270	
		Depth	mm	270	
	Packed unit	Height	mm	330	
		Width	mm	798	
		Depth	mm	330	
Weight	Unit		kg	9.5	
	Packed unit		kg	13.0	
Applicable room area				41 (1) / 82 (2)	
CADR				320	
Air purifying operation	Power input	Turbo	kW	0.056	
		M	kW	0.017	
		L	kW	0.010	
		Silent	kW	0.007	
Humidifying operation	Power input	Turbo	kW	0.058	
		M	kW	0.019	
		L	kW	0.014	
		Silent	kW	0.009	
	Humidification	Turbo	ml/h	500	
	Water tank capacity		l	2.7	
Sound pressure level	Air purifying operation	Turbo	dB(A)	53	
		Medium	dB(A)	39	
		Low	dB(A)	29	
		Silent	dB(A)	20	
	Humidifying operation	Turbo	dB(A)	53	
		Medium	dB(A)	39	
		Low	dB(A)	33	
		Silent	dB(A)	20	
Fan	Type	Multi Blade Fan (Sirocco fan)			
	Air flow rate	Air purifying operation	Turbo	m ³ /h	330
			Medium	m ³ /h	192
			Low	m ³ /h	120
			Silent	m ³ /h	54
Fan	Air flow rate	Humidifying operation	Turbo	m ³ /h	330
			Medium	m ³ /h	192
			Low	m ³ /h	144
			Silent	m ³ /h	54
Fan motor	Speed	Drive	Direct drive		
Dust collecting method				Electrostatic HEPA filter	
Deodorizing method				Flash streamer + Deodorizing catalyst	
Air filter	Type	Polyethylene terephthalate net			
Sign	Item	01	Dust sensor lamp: 3 stages / PM 2.5 sensor lamp: 3 stages / Odour sensor lamp: 3 stages / Humidity monitor lamp: 5 stages / Humidity setting: Low/Standard/High / FAN lamps: Quiet/Low/Standard/Turbo / MODE lamps: Auto fan mode / Econo mode / Anti-pollen mode / MOIST mode / Operation ON/OFF lamp / Humidifier ON/OFF lamp / Child proof lock lamp / Water supply lamp / Streamer lamp		

Standard accessories: Operation manual;Quantity: 1;

Standard accessories: Electrostatic HEPA filter;Quantity: 1;

Standard accessories: Remote controller;Quantity: 1;

Standard accessories: Caster;Quantity: 4;

Standard accessories: Humidifying filter;Quantity: 2;

Standard accessories: Remote control holder;Quantity: 1;

Electrical specifications				MCK555AW
Power cord				1.8
Power supply	Phase			1~
	Frequency	Hz	50/60	
	Voltage	V	220-240/220-230	
	Plug	Type	C	

(1)The coverage area is appropriate for operating the unit of maximum fan speed(HH). Coverage area indicates the space where a certain amount of dust particles can be removed in 30 minutes. |

(2)Converted to NRCC standards from test values in accordance with JEM1467. |

Converted to CADR standards from test values in accordance with JEM1467. |

Humidification amount changes in accordance with indoor and outdoor temperature and humidity. Measurement condition: 20°C in temperature, 30% in humidity. |

Operating sound levels are the average of values measured at 1m away from the front, left, right and top of the unit. (These are equal to the values in an anechoic chamber) |

Electrostatic HEPA filter and humidifying filters are attached in the unit. |

Requirements according to JEM1467.

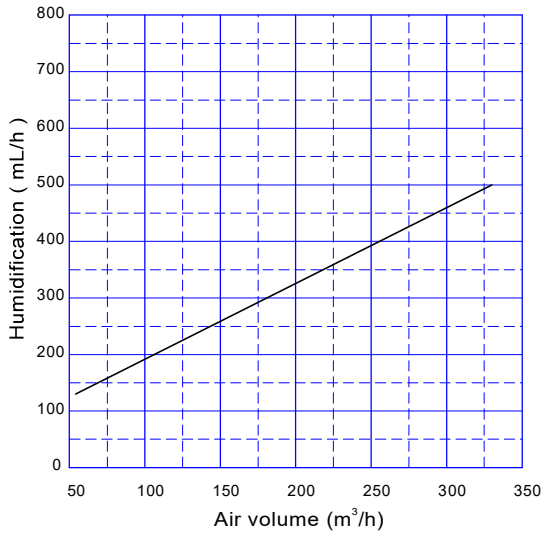
3 Capacity tables

3 - 1 Cooling/Heating Capacity Tables

3

MCK555A

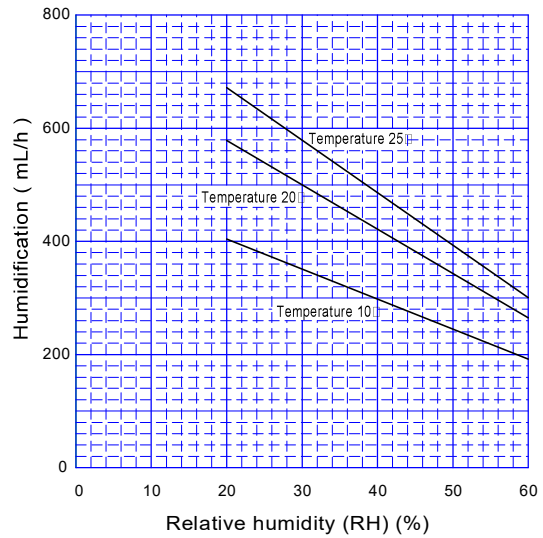
Humidification vs. Air volume



Operating condition

Power source	220V-240V/220-230V 50 / 60Hz
Temperature and Humidity setting	JEM 1426
Temperature	20°C
Humidity	30%
Humidity setting	High

Humidification vs. Relative Humidity



Operating condition

Power source	220V-240V/220-230V 50 / 60Hz
Air volume	Turbo
Humidity setting	High

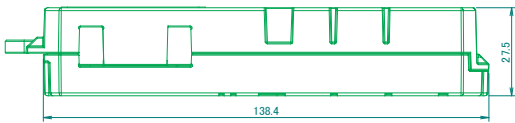
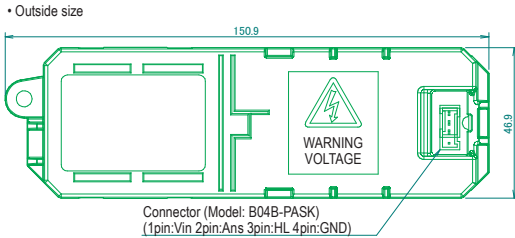
Measurement condition on terms : 20°C in temperature
30% in humidity.(JEM 1426)

3D106603D

4 Dimensional drawings

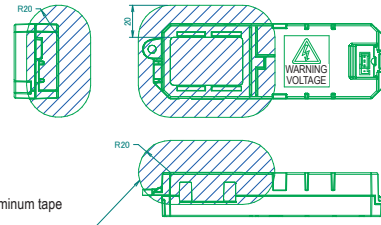
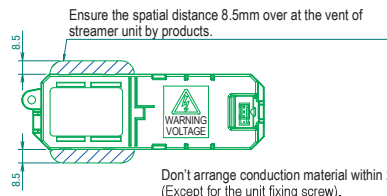
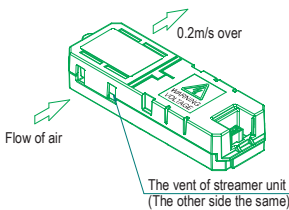
4 - 1 Dimensional Drawings

MCK555A



• Method of mounting

Don't blockage the vent of streamer unit.
Ensure the exit wind speed 0.2m/sec of the vent.
Ensure the spatial distance 8.5mm over at the vent of streamer unit.



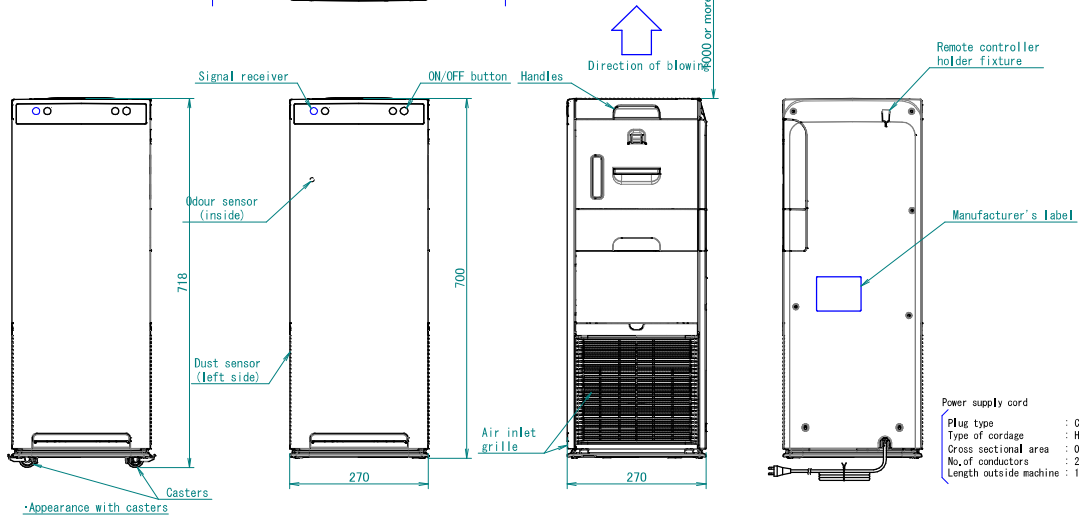
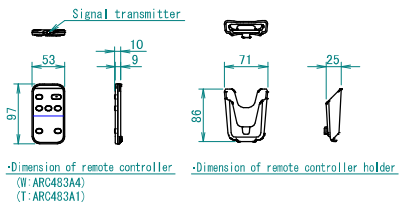
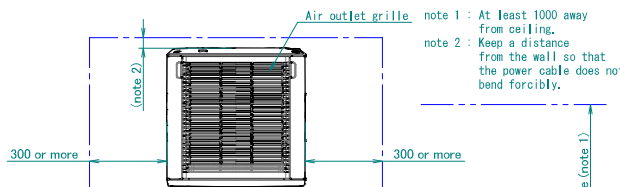
• Main specifications

Items	Contents		
Outside	Outside size	150.9×46.9×27.5mm	
	Weight	100g	
Material of resin	Material	ABS	
	Flame retardance	UL94-5VA	
	Tracking index	Over CT1600V	
Applicable laws	Electrical Appliance and Material Safety Act IEC60335-1(4th), IEC60335-2-65(4th)		
Ambient conditions	Storage temperature	-25~70 (Non-Energization)	
	Operating ambient temperature	-10~60 (Energization)	
Basic specifications	Operating ambient humidity	5~95%RH (No dew deposit)	
	Input voltage	14V±5%	
	Maximum output voltage	6.5±0.5kV	
	Rating output voltage	5.0±0.5kV	
	Rating output current	Hi	55.5µA±10%
		Lo	10µA±10%
	ON/OFF	Inputted voltage into Vin (ON/OFF)	
	Hi ↔ Lo Switching	Inputted 5V into HL (Loe tap)	
	Current monitor	Yes	
	Detectable over current	Yes	
Detectable low voltage	Under 3kV		
Generation amount of Ozone	4.26mL/hr (Hi 14±2; 50±10%RH)		
Method of mounting	Fixing by the right and left hook		
	Fixing by the screw section		

3D095530G

MCK555A

• Required installation space (If installed on the floor)



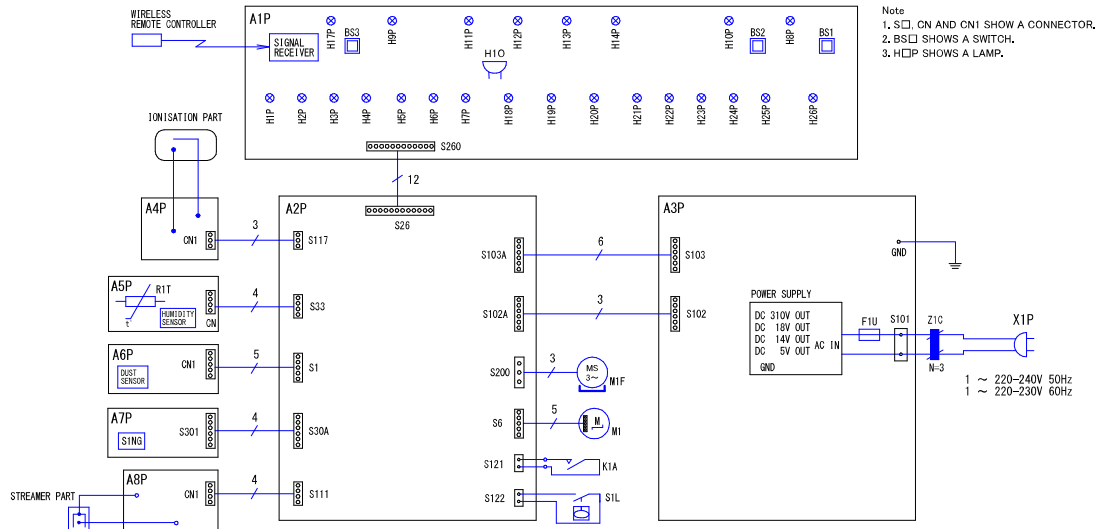
3D154441

5 Wiring diagrams

5 - 1 Wiring Diagrams - Single Phase

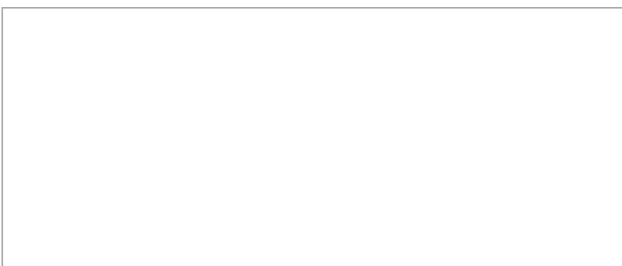
5

MCK555A



A1P	PRINT CIRCUIT BOARD (FOR DISPLAY)	BS1	MAIN SWITCH	HSP	LED (HUMIDITY SETTING-STANDARD: GREEN)	H14P	LED (W/IST MODE: GREEN)	H24P	LED (HUMIDITY MONITOR 60%: BLUE)	K1A	LIMIT SWITCH (FOR DEODORIZING FILTER)
A2P	PRINT CIRCUIT BOARD (FOR CONTROL)	BS2	HUMIDIFICATION SWITCH	H7P	LED (HUMIDITY SETTING-HIGH: GREEN)	H17P	LED (WATER SUPPLY SIGN: RED)	H25P	LED (HUMIDITY MONITOR 70%: BLUE)	S1L	MAGNETIC SWITCH (WITH FLOAT)
A3P	PRINT CIRCUIT BOARD (FOR POWER SUPPLY)	BS3	AIRFLOW MODE SWITCH	HSP	LED (ON: OFF: GREEN)	H18P	LED (DUST SIGN: RED: GREEN)	H26P	LED (STREAMER LAMP: BLUE)	Z1C	FERRITE CORE
A4P	PRINT CIRCUIT BOARD (HIGH VOLTAGE POWER SUPPLY FOR IONISATION)	H1P	LED (AIRFLOW-QUIET: GREEN)	HSP	LED (CHILD PROOF LOCK: ORANGE)	H19P	LED (PM2.5 SIGN: RED: GREEN)	H10	BUZZER	X1P	POWER SUPPLY PLUG
ASP	PRINT CIRCUIT BOARD (FOR HUMIDITY SENSOR)	H2P	LED (AIRFLOW-LOW: GREEN)	H10P	LED (HUMIDIFIER ON/OFF: ORANGE)	H20P	LED (ODOUR SIGN: RED: GREEN)	S1NG	ODOUR SENSOR	R1T	THERMISTOR (FOR ROOM TEMPERATURE)
A6P	PRINT CIRCUIT BOARD (FOR DUST SENSOR)	H3P	LED (AIRFLOW-STANDARD: GREEN)	H11P	LED (AUTO FAN: GREEN)	H21P	LED (HUMIDITY MONITOR 30%: BLUE)	F1U	FUSE (250V, 3, 15A)		
A7P	PRINT CIRCUIT BOARD (FOR ODOUR SENSOR)	H4P	LED (AIRFLOW-TURBO: GREEN)	H12P	LED (ECONO MODE: GREEN)	H22P	LED (HUMIDITY MONITOR 40%: BLUE)	M1F	FAN MOTOR		
A8P	PRINT CIRCUIT BOARD (FOR HIGH VOLTAGE POWER SUPPLY)	H5P	LED (HUMIDITY SETTING-LOW: GREEN)	H13P	LED (ANTI-POLLEN MODE: GREEN)	H23P	LED (HUMIDITY MONITOR 50%: BLUE)	M1	STEPPER MOTOR (FOR HUMIDIFYING GEAR)		

3D154137



EEDEN26

01/2026



The present leaflet is drawn up by way of information only and does not constitute an offer binding upon Daikin Europe N.V. Daikin Europe N.V. has compiled the content of this leaflet to the best of its knowledge. No express or implied warranty is given for the completeness, accuracy, reliability or fitness for particular purpose of its content and the products and services presented therein. Specifications are subject to change without prior notice. Daikin Europe N.V. explicitly rejects any liability for any direct or indirect damage, in the broadest sense, arising from or related to the use and/or interpretation of this leaflet. All content is copyrighted by Daikin Europe N.V.